



OPERATING MANUAL

Hausted® All Purpose Chair (APC)
Hydraulic All Purpose Chair
Models: APC 150 & 250
GFH1300083RevB13



WARNING - COPYING PROHIBITED

This manual is protected by Federal Copyright Law, which provides for damages of up to USD \$20000, as well as criminal fines and imprisonment, for unauthorized copying.

A WORD FROM GF HEALTH PRODUCTS, INC.

This manual contains important information on proper use and maintenance of the Hausted® All Purpose Chair (APC) Hydraulic Chair. All personnel involved in the use and maintenance of this equipment must carefully review and comply with the warnings, cautions and instructions contained in this manual. These instructions are important to protect the health and safety of personnel operating a APC Series Hydraulic Chair and should be retained in a conveniently accessible area for quick reference.

Complete instructions for uncrating and connecting utilities, as well as equipment drawings, have been furnished. If missing, contact GF Health Products, Inc. for replacement copies, giving the serial number and model number of the unit.

We carry a complete line of accessories for use with this chair. A GF representative will gladly review these with you.

Indications for Use

The Hausted All Purpose Series Hydraulic Chairs (APC) are intended to use in patient treatment, transport or recovery.

Service Information

A thorough preventive maintenance program is essential to safe and proper unit operation. This manual contains maintenance schedules and procedures which should be followed for satisfactory equipment performance. We encourage you to contact GF Health Products, Inc. with any maintenance concerns.

Advisory

A listing of the safety precautions to be observed when operating and servicing this equipment can be found in Section 1 of this manual. Do not operate or service the equipment until you have become familiar with this information.

Any alteration of this equipment not authorized by GF Health Products, Inc., which could affect its operation, will void the warranty, could violate national, state, and local regulations, and could jeopardize your insurance coverage.



Manufactured by:
GF Health Products, Inc.
336 Trowbridge Drive
Fond du Lac, WI 54937

678.291.3207 Main
770.368.2386 Fax

www.Hausted.com



Class 1 equipment
Type B Equipment
Equipment not suitable for use
in the presence of a flammable
anesthetic mixture with air or
oxygen or nitrous oxide.
IPX4 (Splash-proof Equipment)
Not suitable for continuous operation (Duty
Cycle: 10% six minutes in one hour)

The base language of this document is
ENGLISH. Any translations must be made
from the base language document.

TABLE OF CONTENTS

1 LISTING OF WARNINGS AND CAUTIONS	1-1
2 UNCRATING INSTRUCTIONS.....	2-1
3 OPERATING INSTRUCTIONS.....	3-1
3.1 Braking And Steering Operation	3-2
3.1.1 Applying The Brakes	3-2
3.1.2 Releasing The Brake	3-2
3.1.3 Applying The Steer Lock.....	3-2
3.1.4 Releasing The Steer Lock.....	3-2
3.2 Height & Top Adjustment.....	3-3
3.2.1 Height Adjustment	3-3
3.2.2 Lowering The Unit.....	3-3
3.2.3 Top Adjustment.....	3-3
3.2.4 Trendelenburg Adjustment.....	3-3
3.3 Independent Foot Section Operation	3-4
3.3.1 Independent Operation	3-4
3.3.2 Return To Chair Mode.....	3-4
3.4 Foot Pan & Side Rail Operation.....	3-5
3.4.1 Foot Pan Adjustment.....	3-5
3.4.2 Side Rail Operation.....	3-5
4 Trouble Shooting Guide.....	4-1
5 Preventive Maintenance for the User	5-1
6 Recommended Replacement Parts.....	6-1
7 Warranty	7-1

The following is a listing of the safety precautions which must be observed when operating and servicing this equipment. WARNINGS indicate the potential for danger to personnel, and CAUTIONS indicate the potential for damage to equipment. These precautions are repeated (in whole or in part), where applicable, throughout the manual.

WARNING – LACERATION HAZARD:



When cutting bands always use a tool specifically designed for that purpose. This will help to avoid personal injuries frequently incurred when bands are cut and tension released.

WARNING – PERSONAL INJURY HAZARD:



Do not sit on end – tipping may occur.

WARNING – NOTICE FOR CALIFORNIA CUSTOMERS-



California Proposition 65 Warning: This product contains a chemical known to the State of California to cause cancer and reproductive or developmental harm.



IMPORTANT - REPORT ANY SHIPPING DAMAGE IMMEDIATELY:

Inform shipper of any damages - leave carton intact. Leave the equipment in the receiving area until inspection is complete.



CAUTION - POSSIBLE EQUIPMENT DAMAGE:

This crate contains fragile expensive medical equipment. Uncrate and handle carefully.

If after uncrating the equipment you find any damage (no matter how slight), show it to your supervisor.



WARNING - PERSONAL INJURY HAZARD:

When cutting bands, always use tool specifically designed for that purpose. This will help avoid personal injuries frequently incurred when bands are cut and tension is released.

IMPORTANT: Follow each step in the order shown in these instructions.

UNPACKING INSTRUCTIONS:

Your Hausted equipment has been carefully packed at our manufacturing plant to ensure safe shipment to your medical facility. There are several procedures you must follow to put your new equipment in service. These procedures only take a few minutes to complete and are required to ensure proper operation of the equipment.

1. Cut the two bands around the shipping carton.
2. Remove the top half of the carton and cut one side of the bottom half.
3. Remove the equipment from the carton.
4. Check to see if all features of the equipment work properly. If all the features work, advance to step 5. If any features of the equipment do not work properly, call GF Health Products, Inc. at 678.291.3165.
5. Clean the equipment using mild detergent to remove any dirt accumulated during shipment, and place the equipment into service.

⚠ WARNING – PERSONAL INJURY HAZARD:
Do not sit on end – tipping may occur.

As a valued customer and a user of Hausted’s unique All Purpose Chair (APC) this Operator Manual is to ensure proper use is understood and followed to obtain maximum safety and function of your Hausted APC.

The APC’s unequalled versatility in moving from a chair position to a fully reclined position is designed to permit convenient patient positioning and treatment. It has a maximum weight capacity of 325 lbs. The APC is not intended to replace a stretcher or gurney, of which we offer a complete product line for your specialty needs.

Hausted’s APC has a Warning Label located at the head and foot ends of the chair’s frame, stating: Do not sit on end: Tipping may occur. Patient entry, egress, and transfer from the APC should always be from the center side rail locations by lowering the side rail as shown in diagrams A and B. At no time should the patient be permitted to enter or exit from the ends of the APC as shown on diagrams 1, 2 and 3, except in a full chair position.

NOTE: When not in use, do not leave the APC in a fully reclined position.

NOTE: Patient should be secured with restraint straps when left unattended in a fully reclined position.

These Operating Instructions are to ensure patient safety and permit you to use your Hausted APC to treat, transport and transfer your patient with unmatched versatility and safety.

If you have any questions, please contact GF Health Products, Inc.’s Customer Service Department at 678.291.3207.

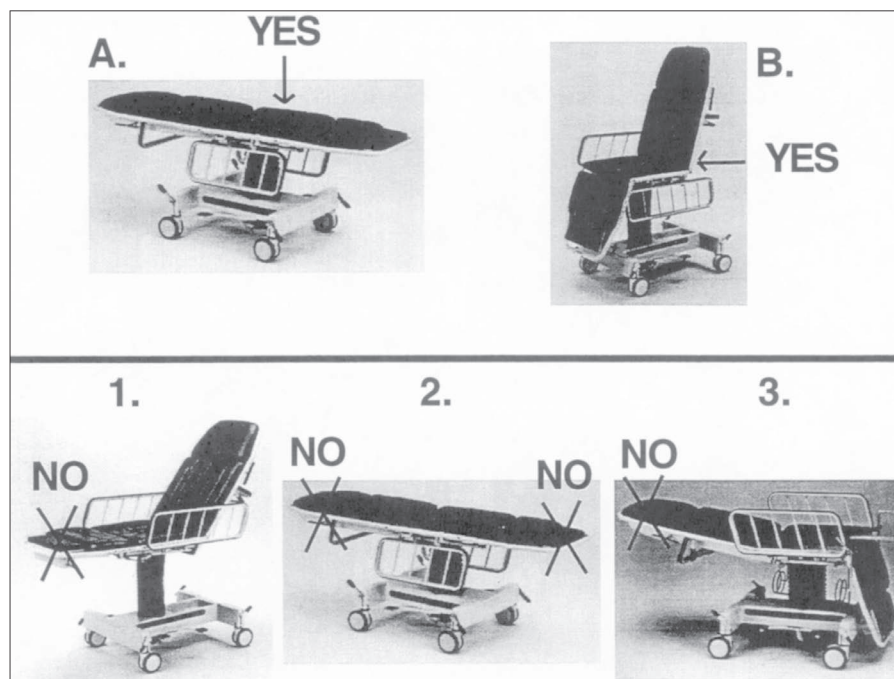


FIGURE 3-A

OPERATING INSTRUCTIONS

3.1 BRAKING AND STEERING OPERATION

3.1.1 Applying the Brakes

The four wheel central braking system is activated by depressing the RED pedal, (to approximately 45° at any corner of the unit. This locks all four of the caster wheels from rotating and swivelling. (See Figure 3-1)

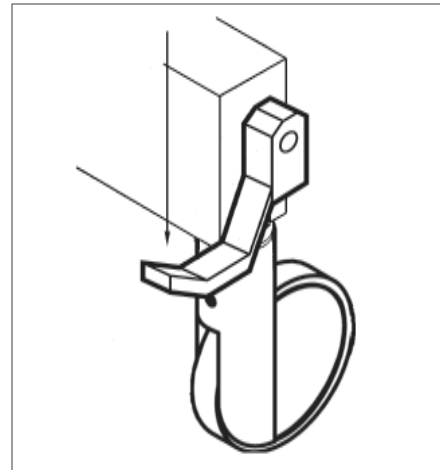


FIGURE 3-1

3.1.2 Releasing the Brakes

Depress the GREEN pedal at any corner of the unit to a horizontal position. All four of the caster wheels should roll and swivel freely. (See Figure 3-1)

NOTE: Always apply the brakes when the unit is not in use.

3.1.3 Applying the Steer Lock

From the head end of the unit depress the GREEN pedal downward, (to approximately 45°), and push the unit forward. One caster wheel at the opposite end will lock into a non-swivelling position that enables straight tracking and swivelling by the attendant. (See Figure 3-2)

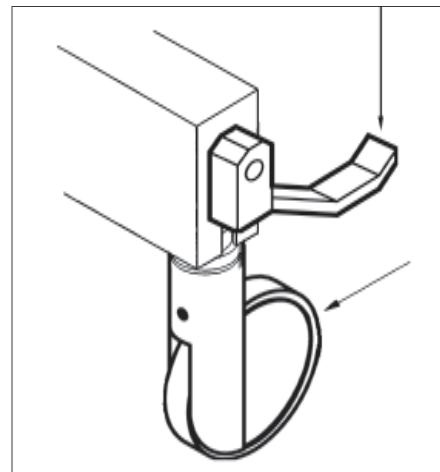


FIGURE 3-2

3.1.4 Releasing the Steer Lock

Depress the RED pedal to a horizontal position. All four caster wheels should swivel and roll freely. (See Figure 3-2)

3.2 HEIGHT AND TOP ADJUSTMENT

3.2.1 Height Adjustment

To elevate the unit, pump the UP pedal, using smooth full strokes to insure patient comfort. (See Figure 3-3)

NOTE: Pedals are located on both sides of the unit.

When the unit reaches the desired height, stop the pumping action.

NOTE: Do not stand on the pedal.

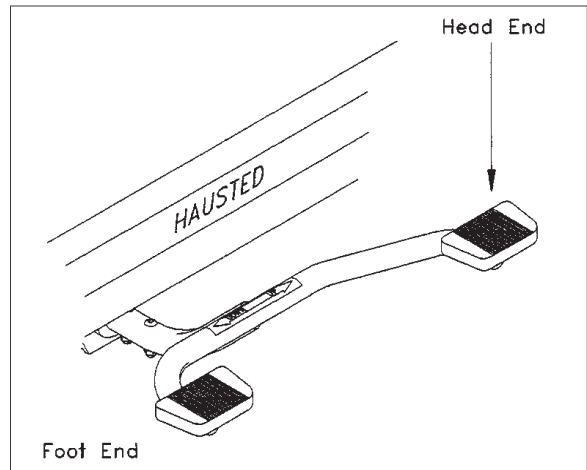


FIGURE 3-3

3.2.2 Lowering The Unit

To lower the unit, depress and hold the DOWN pedal. (See Figure 3-4)

NOTE: Pedals are located on both sides of the unit.

When the unit reaches the desired height, return the pedal to its original position.

NOTE: Do not stand on the pedal.

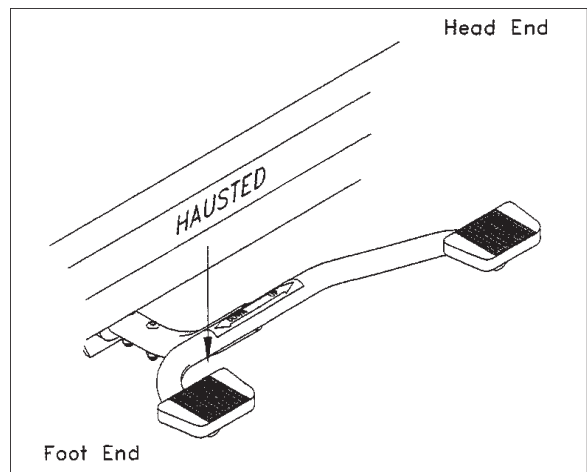


FIGURE 3-4

3.2.3 Top Adjustment

To adjust the unit anywhere from the chair position to the stretcher position grasp the RECLINE handle, (A), and adjust the unit to the desired position and release the handle. (See Figure 3-5)

3.2.4 Trendelenburg Adjustment

To adjust the unit into the trendelenburg position the unit must be in the CHAIR position. Grasp the TRENDELENBURG handle, (B), and adjust the unit into trendelenburg and release the handle. (See Figure 3-5)

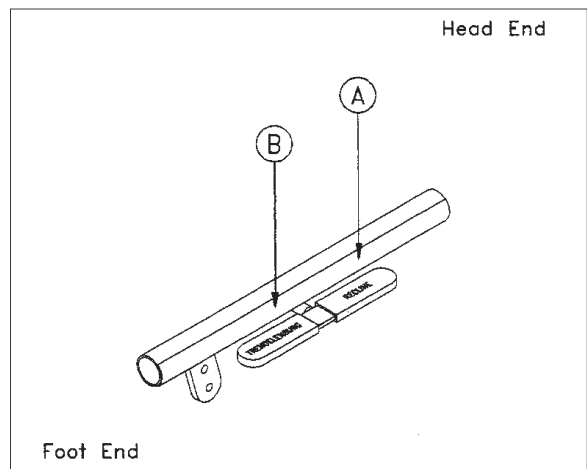


FIGURE 3-5

3.3 INDEPENDENT FOOT SECTION OPERATION

3.3.1 Independent Operation

To adjust the foot section separately from the back section, support the foot section with one hand, pull out the release lever then turn it clockwise. Adjust the foot section to desired position and release the lever.

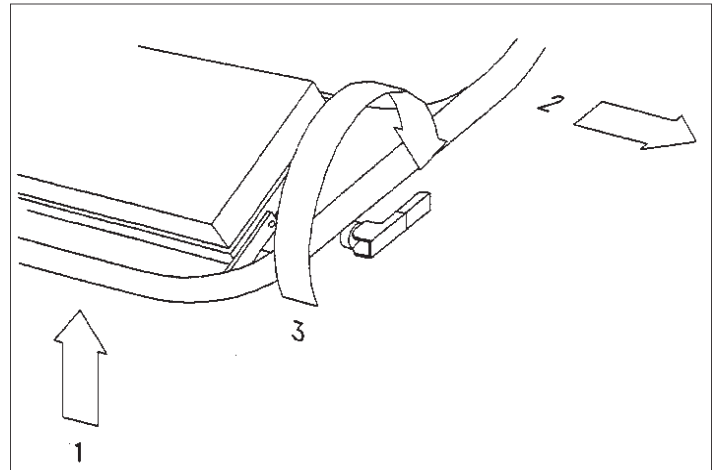


FIGURE 3-6

3.3.2 Return to Chair Mode

To return the foot section to chair mode, support the foot section with one hand, turn the release lever counterclockwise and push the release lever in. Adjust the foot section until it locks into position.

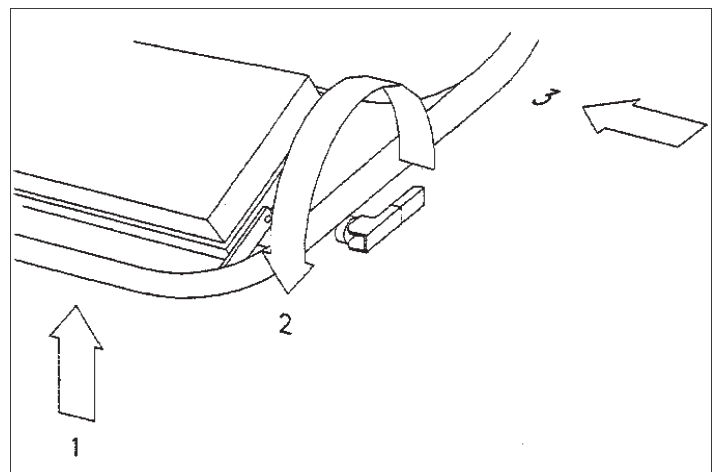


FIGURE 3-7

OPERATING INSTRUCTIONS

3.4 FOOT PAN & SIDE RAIL OPERATION

3.4.1 Foot Pan Adjustment

To adjust the foot pan, rotate the pan to a parallel position with the ratchet plate. Move the foot pan to the desired position. Rotate the foot pan to a perpendicular position to the ratchet plate.

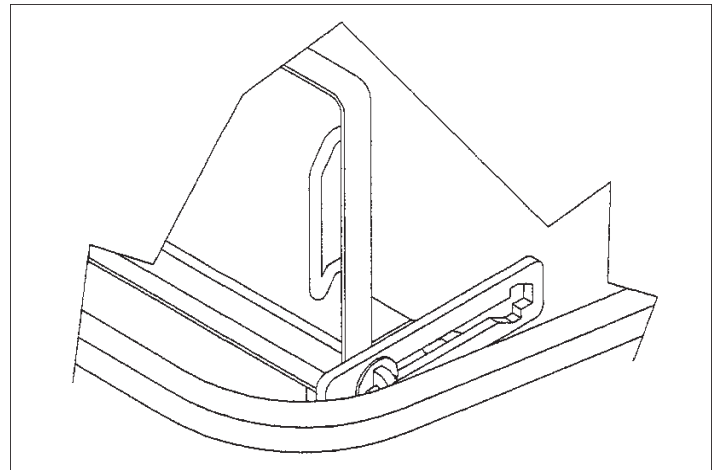


FIGURE 3-8

3.4.2 Side Rail Operation

To raise the side rail, grasp the rail and squeeze the trigger assembly at the head end side of rail. Pull the rail out from under the seat section and release the trigger. Swing the rail upwards until it locks into place.

To lower the side rail, grasp the rail and squeeze the trigger assembly at the head end side of rail. Swing the rail downwards with the trigger released, until the rail locks into place under the seat section.

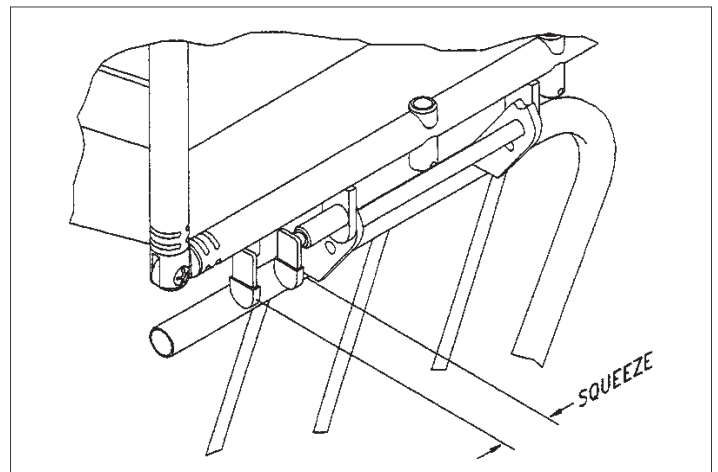


FIGURE 3-9

NOTE: The following is a list of recommended inspections and customer serviceable items to perform, prior to calling GF Health Products, Inc. for service.

Problem	Cause	Solution
Unit doesn't lower when pedal is depressed	Column is adjusted too tight	Adjust column
Unit is unstable at maximum height	Column is adjusted too loose	Adjust column
Backrest raises by itself when unit is in the stretcher position	Pneumatic spring is over adjusted and/or leaking	Adjust or replace pneumatic spring
Foot section doesn't move or re-engage	Cables and/or stop nuts are not properly adjusted	Adjust cables and/or stop nuts

For Service, please contact:
GF Health Products, Inc. at 678.291.3165.

PREVENTIVE MAINTENANCE FOR THE USER

Component	Cleaning Procedure	Schedule	Cleaning Agent *	Special Notes
Pads/Mattresses	Wipe with damp cloth to remove any foreign material	After each use	Routine hospital grade disinfectants, soap and water	Use only medium strength cleaners Do not steam clean or pressure wash
Chair	Wipe with damp cloth to remove any foreign material	After each use	Routine hospital grade disinfectants, soap and water	Lubricate pivot points after cleaning
Electrical components	Wipe external surfaces ONLY with damp cloth to remove any foreign material	After each use	Routine hospital grade disinfectants, soap and water	Use only medium strength cleaners
Mechanical chair components	Wipe with damp cloth to remove any foreign material	After each use	Routine hospital grade disinfectants, soap and water	Lubricate pivot points after cleaning
Mechanical accessories	Wipe with damp cloth to remove any foreign material	After each use	Routine hospital grade disinfectants, soap and water	Lubricate pivot points after cleaning
Procedure				
Procedure		Schedule	Material	
Lubricate all moving and sliding parts and hinge points		Every 3 months	Lubricating oil, light-duty grease, wax stick lubricant or Never-Seez lubricant	
⚠ NEVER LUBRICATE GAS SPRING, MOTOR OR MECH-LOCK SHAFTS ⚠				
Inspect all fasteners to ensure proper fit, position and tightness (including nuts, bolts, etc.)		Every 3 months	Proper size wrench and screwdriver	
Inspect all surfaces and remove any sharp or burred areas; apply touch-up paint where required		Every 3 months	Metal file, proper color paint (specify color when ordering)	

* **Disinfectants, vinyl products:** Phenolic disinfectants are the best choice for vinyl products; properly diluted quaternaries are also acceptable. Quaternary/Isopropyl disinfectants are not recommended for vinyl.

Disinfectants, urethane products: Quaternary disinfectants are recommended for urethane products. Quaternary/Isopropyl disinfectants are recommended for urethane. Phenolics should be avoided on urethane.

Disinfectants, all products: All fabrics may be cleaned with a 1:10 dilution of household bleaches containing 5.25% sodium hypochlorite as recommended by the Centers for Disease Control in Atlanta, Georgia. There is no harmful effect on the fabric. Disinfectants applied at full concentration or in highly concentrated solutions will decrease the useful life of fabric. Iodophor type disinfectants used on fabrics may result in staining.

Soils or Stains: Use neutral soap suds and lukewarm water. Do not use harsh cleansers, solvents or detergents.

Hard-To -Clean Spots: Use standard household/vinyl cleansers and a soft bristle brush on troublesome spots or stains. Pre-soak heavy, dried-on soil.

Laundering Vinyl-laminated or Rubber-coated fabric is not recommended. Laundering may substantially decrease the useful life of the fabric.

Laundering Polyurethane-coated fabric: Machine wash with detergent up to 120°F. Some surface wrinkling may occur; this wrinkling has no adverse effect on the fabric properties. Hang or tumble dry thoroughly at 140° F before storage.

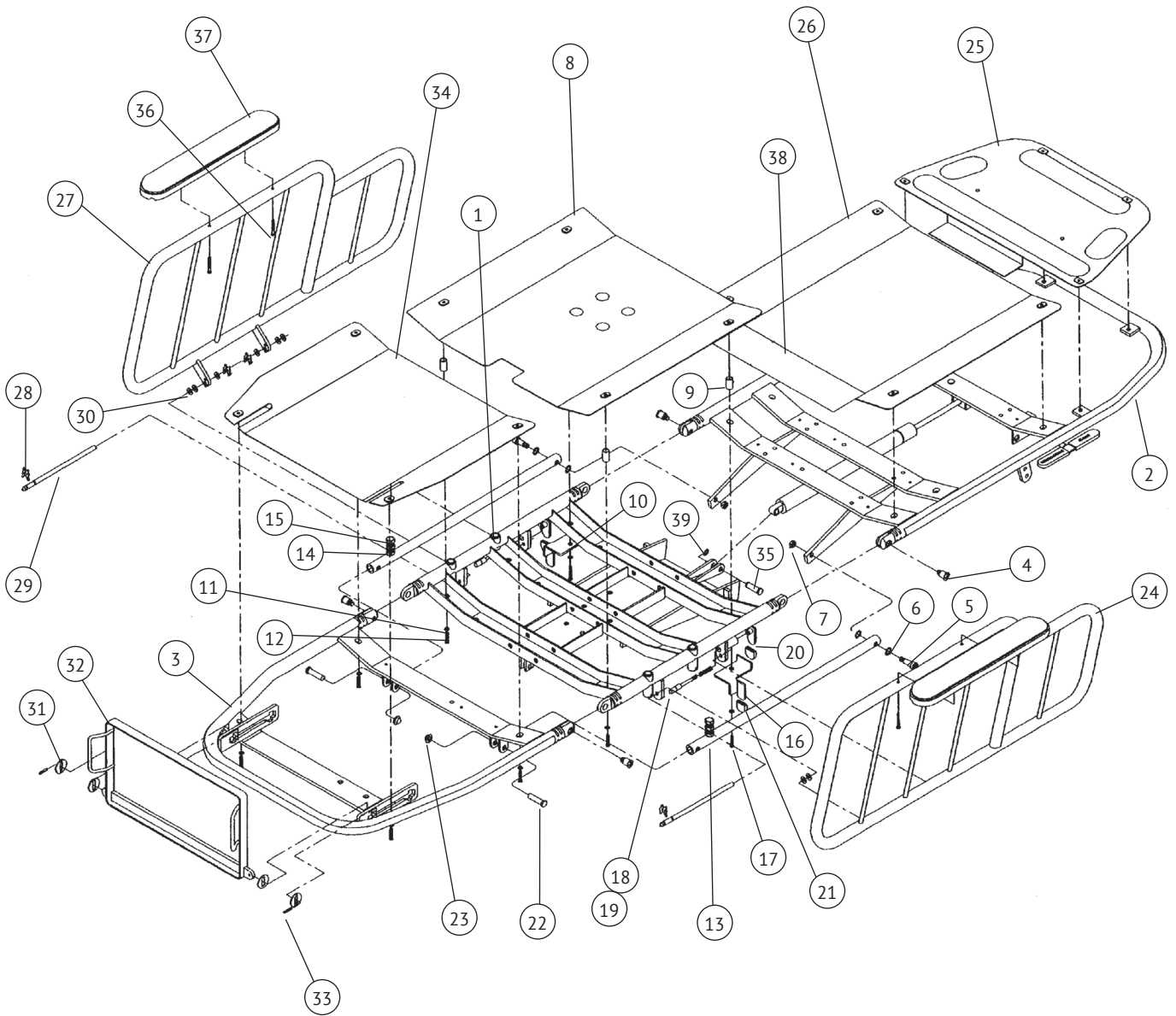
⚠ CAUTION - POSSIBLE EQUIPMENT DAMAGE HAZARD: Steam cleaning and pressure washing of chair is not recommended and can void warranty.

NOTE: For more detailed information, please contact GF Health Products, Inc. at 678.291.3165.

NOTE: In addition to the User Preventive Maintenance, a more detailed Preventive Maintenance Program is also required to keep the equipment in good working order. This Preventive Maintenance Program is found on our website, at www.Hausted.com.

ILLUSTRATED PARTS BREAKDOWN

FIGURE 6-1.APC-150 TOP ASSEMBLY



NOTE:

Apply instant adhesive to Item 21.

Apply petroleum lubricant to all hinging, moving, and sliding points.

Apply thread lock to Items 18 & 36.

Apply spray adhesive to Item 35.

FIGURE 6-1.APC-150 TOP ASSEMBLY

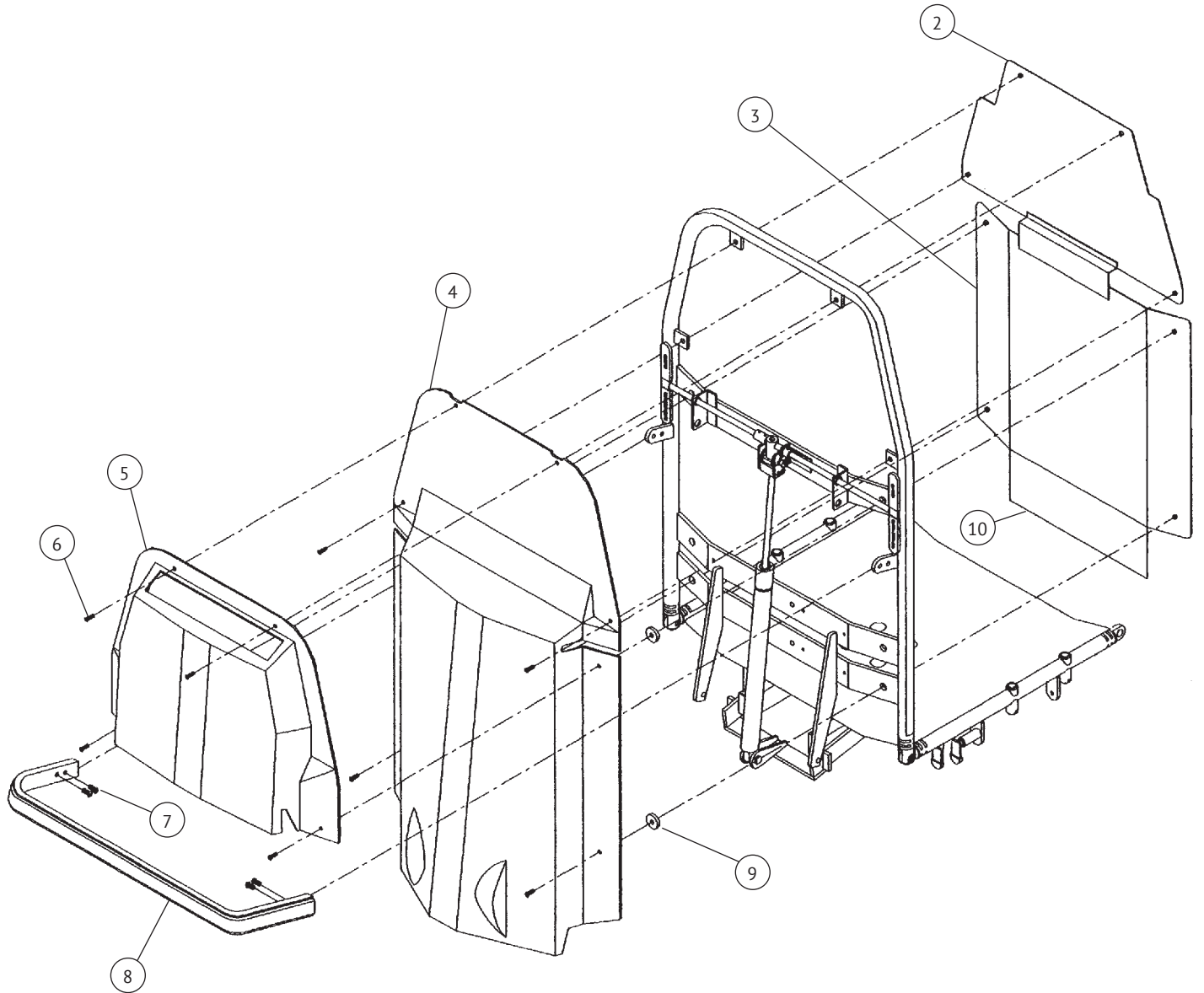
ILLUSTRATED PARTS BREAKDOWN

FIGURE 6-1. APC-150 TOP ASSEMBLY

Item No.	Part No.	S V C	Description	Units Per Assembly					
	068026		APC-150 Top Assembly	X					
1	068039		WELDMENT, APC 5° Seat Section	1					
2	067283		ASSEMBLY, APC Back Section	1					
3	068030		WELDMENT, APC-150 Foot Section	1					
4	031036		SCREW, Phillips Oval Head, .313-24 X .938" Long	4					
5	061157		BOLT, Shoulder, .375 X 1.000" Long	2					
6	035115		WASHER, Nylon, .750 O.D. X .395 I.D.	4					
7	031057		NUT, Lock, .313-18	2					
8	061148		PAN, APC Seat Support	1					
9	052275		SPACER	4					
10	061172		PLATE, Stationary Trigger, LH	1					
11	031364		WASHER, SAE Flat, .250"	8					
12	031500		SCREW, Truss Head Machine, #10-24 X 1.000" Long	10					
13	061069		ASSEMBLY, Connecting Link	2					
14	031428		NUT, Jam, .375-16	2					
15	031340		SCREW, Hex Head Cap, .375-16 x 1.000" Long	2					
16	061174		PLATE, Stationary Trigger, RH	1					
17	061194		SCREW, Truss Head Machine, #10-24 X 1.250" Long	2					
18	061101		PLUNGER	2					
19	052763		SPRING, Plunger	2					
20	061067		TRIGGER	2					
21	061091		TAB, Vinyl, Red	4					
22	011318		PIN, Clevis, .375" x 1.438" Long	2					
23	030287		NUT, PAL, .375"	2					
24	068050		WELDMENT, APC 5° Rail, Right	1					
25	061062		PAN, APC Head Support	1					
26	061057		PAN, APC Back Support	1					
27	068051		WELDMENT, APC 5° Rail, Left	1					
28	061125		CLIP, Retaining	4					
29	061092		ROD, APC Rail Pivot	2					
30	031100		WASHER, Flat Nylon, .313"	6					
31	068063		WASHER, APC Foot Rest Pan	4					
32	068060		ASSEMBLY, APC Foot Rest Pan	1					
33	061458		PIN, Spring, .125" x .750"	2					
34	068072		PAN, APC Leg Support	1					
35	075627		PIN, Clevis	1					
36	068059		SCREW, Phillips Oval Head, #10-32 x 1.250" Long	4					
37	068058		PAD, APC Arm Rest	2					
38	061191		COVER, APC Back/Seat Vinyl	1					
39	065258		PIN, Locking Cotter	1					

ILLUSTRATED PARTS BREAKDOWN

FIGURE 6-2. APC-150 TOP ASSEMBLY



NOTE: Apply thread lock to Item 7.

FIGURE 6-2. APC-150 TOP ASSEMBLY

ILLUSTRATED PARTS BREAKDOWN

FIGURE 6-2. APC-150 TOP ASSEMBLY

Item No.	Part No.	S V C	Description	Units Per Assembly						
	068026		APC-150 Top Assembly	X						
1			Not Used							
2	061062		PAN, APC Head Support	1						
3	061057		PAN, APC Back Support	1						
4	061139		COVER, APC Back	1						
5	061142		HOLDER, APC Chart	1						
6	031500		SCREW, Truss Head Machine, #10-24 X 1.000" Long	8						
7	031337		SCREW, Hex Head Cap, .250-20 X .750" Long	4						
8	061019		BAR, APC Push	1						
9	061161		SPACER, Back Cover	4						
10	061191		COVER, APC Back/Seat Vinyl	1						

ILLUSTRATED PARTS BREAKDOWN

FIGURE 6-3. APC-150 FINAL ASSEMBLY

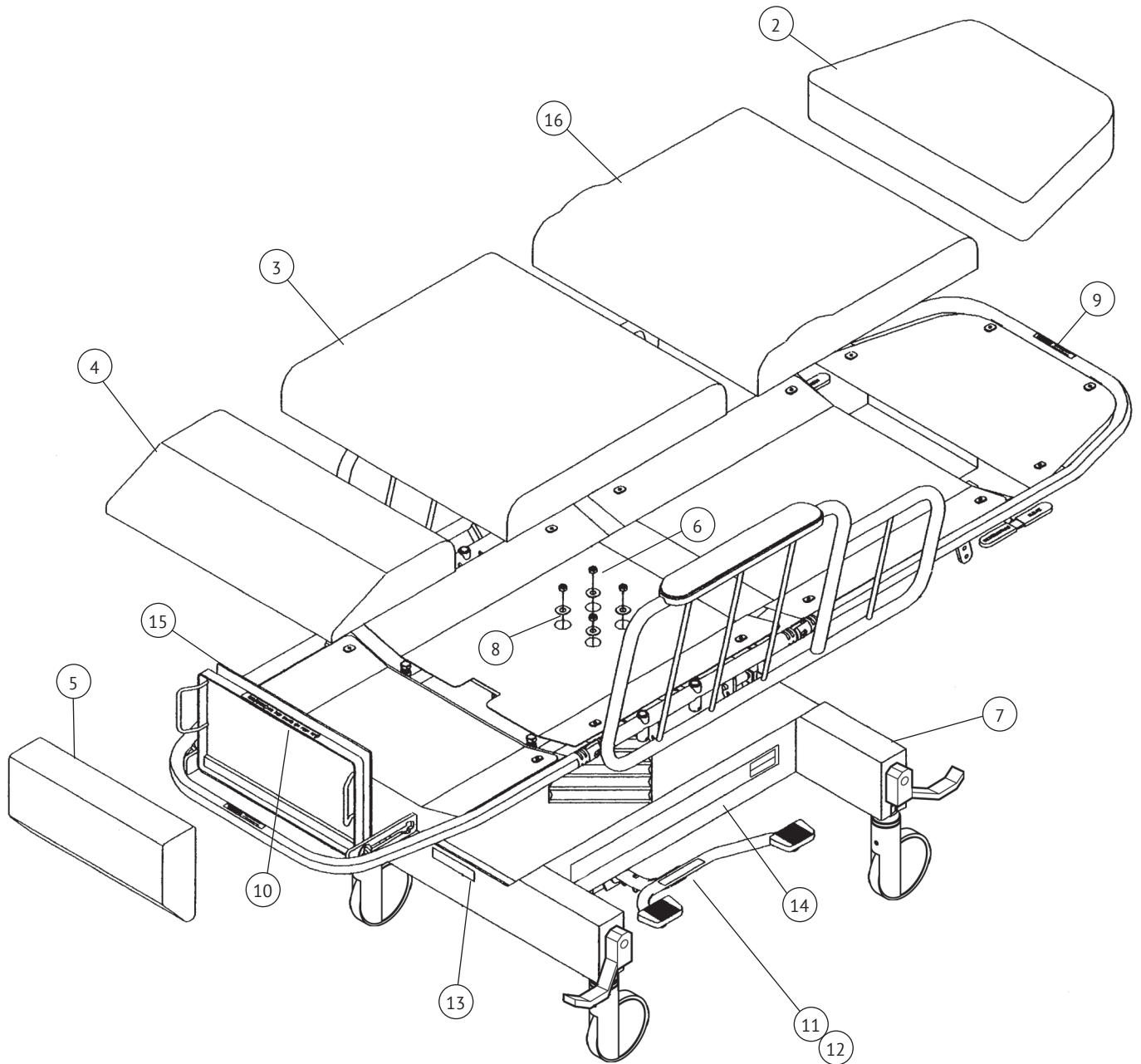


FIGURE 6-3. APC-150 FINAL ASSEMBLY

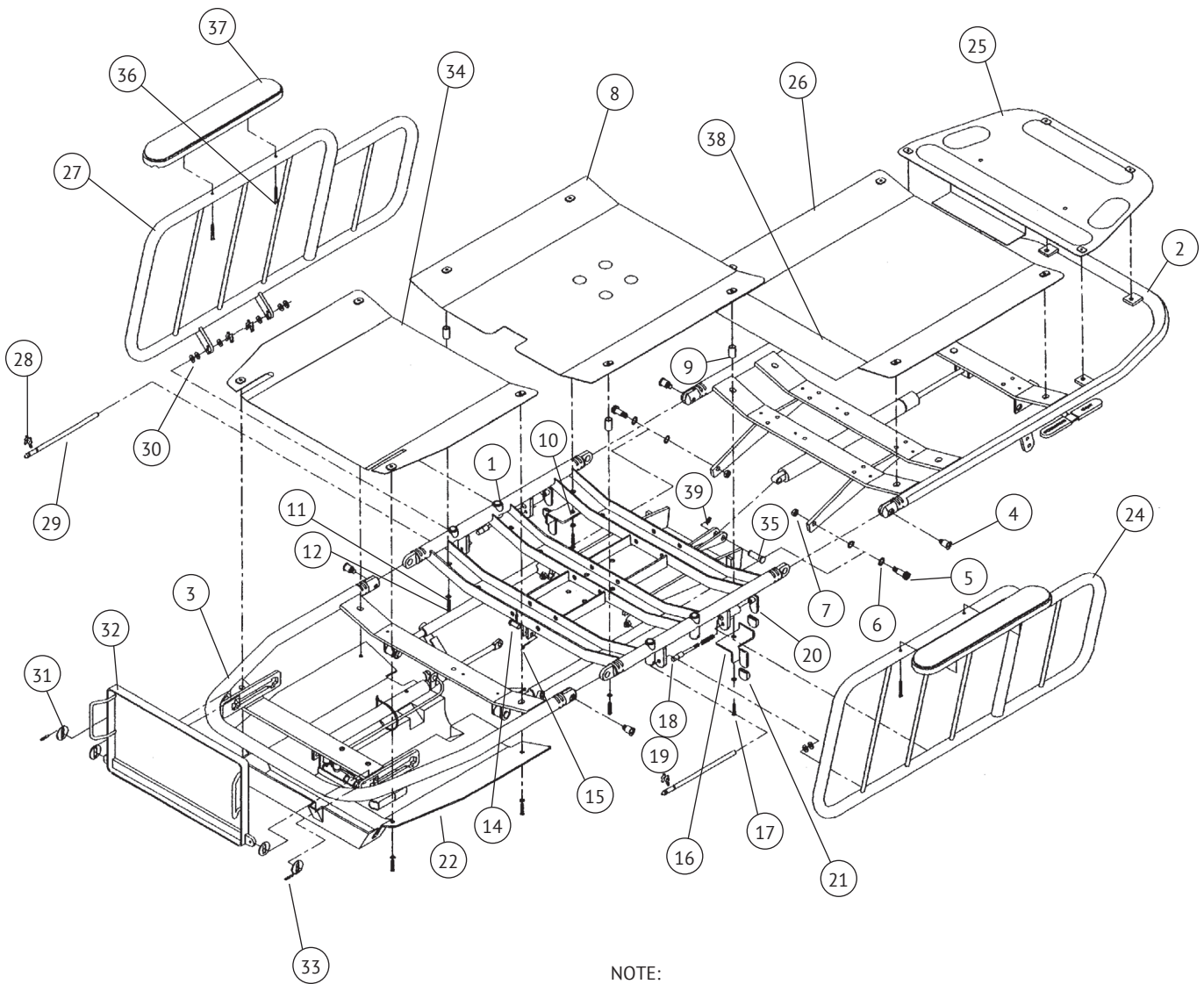
ILLUSTRATED PARTS BREAKDOWN

FIGURE 6-3. APC-150 FINAL ASSEMBLY

Item No.	Part No.			S V C	Description	Units Per Assembly							
		068026			APC-150 Final Assembly	X							
1					Not Used								
2	P	150830	385		PAD, Head Section	1							
3	P	150830	387		PAD, Back & Seat Section	1							
4	P	150830	388		PAD, Leg Section	1							
5	P	150830	389		PAD, Foot Section	1							
6		031057			NUT, Lock, .313-18	4							
7		068027			ASSEMBLY, APC 5° Base	1							
8		031080			WASHER, Flat, .313"	4							
9		061198			LABEL, Head & Foot Warning	2							
10		061141			LABEL, Foot Rest Warning	1							
11		061228			LABEL, Pedal, RH	1							
12		061229			LABEL, Pedal, LH	1							
13		075831			LABEL, Product	1							
14		075837			LABEL, APC Chair	2							
15		068113			MAT, Foot Rest Pan	1							
16	P	150830	386		SUPPORT, Back Pad W/Lumbar	1							
17		031010			SCREW, Hex Head Cap, (N.S.), .313-18 x .750" Long (Not Shown)	4							

ILLUSTRATED PARTS BREAKDOWN

FIGURE 6-4. APC-250 TOP ASSEMBLY



NOTE:

Apply instant adhesive to Item 21.

Apply petroleum lubricant to all hinging, moving, and sliding points.

Apply thread lock to Items 18 & 36.

Apply spray adhesive to Item 35.

FIGURE 6-4. APC-250 TOP ASSEMBLY

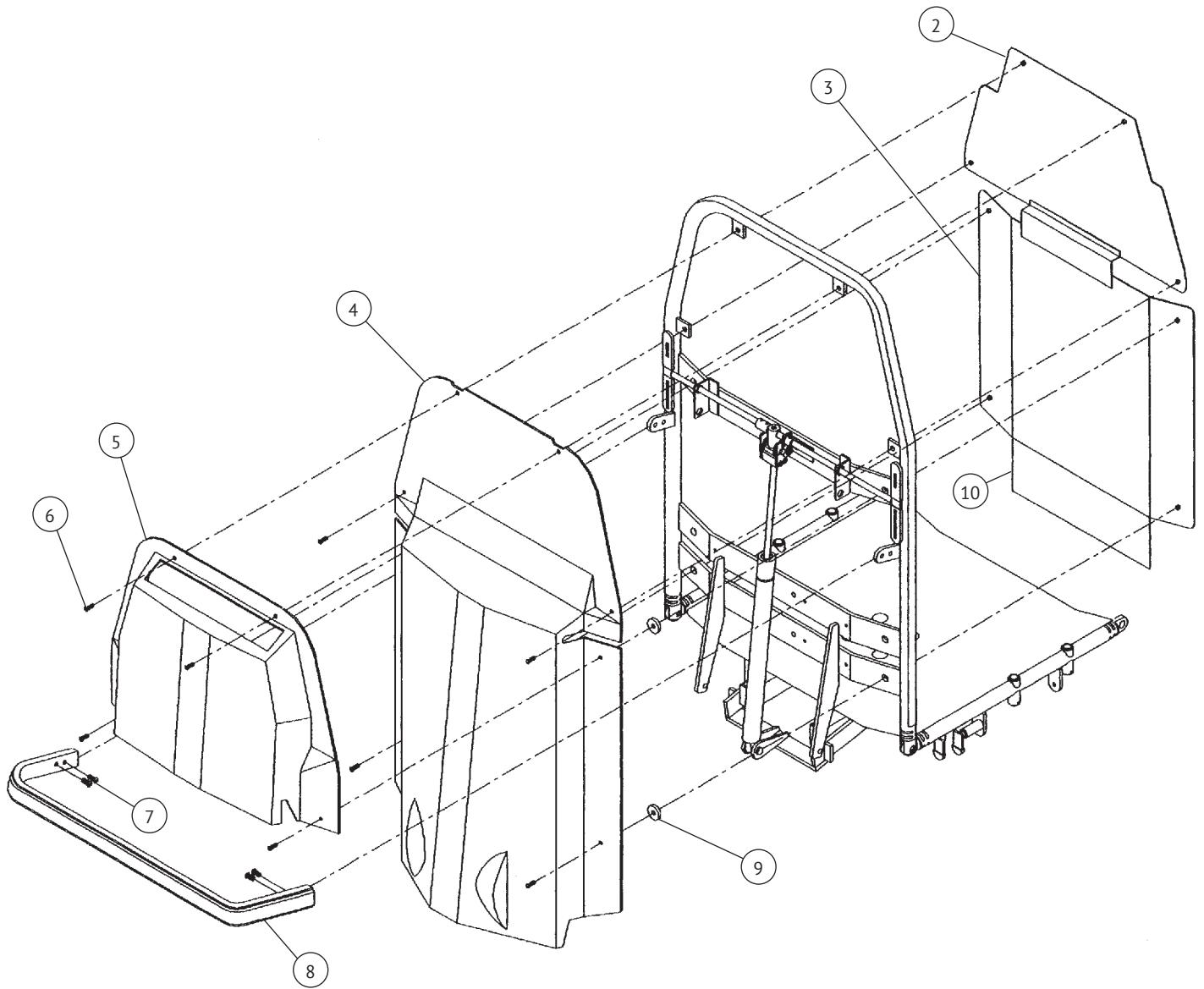
ILLUSTRATED PARTS BREAKDOWN

FIGURE 6-4. APC-250 TOP ASSEMBLY

Item No.	Part No.	S V C	Description	Units Per Assembly					
	068031		APC-250 Top Assembly	X					
1	068039		WELDMENT, APC 5° Seat Section	1					
2	067283		ASSEMBLY, APC Back Section	1					
3	068034		ASSEMBLY, APC-250 Foot Section	1					
4	031036		SCREW, Phillips Oval Head, .313-24 X .938" Long	4					
5	061157		BOLT, Shoulder, .375 X 1.000" Long	2					
6	035115		WASHER, Nylon, .750" O.D. X .395" I.D.	4					
7	031057		NUT, Lock, .313-18	2					
8	061148		Pan, APC Seat Support	1					
9	052275		SPACER	4					
10	061172		PLATE, Stationary Trigger, LH	1					
11	031364		WASHER, SAE Flat, .250"	8					
12	031500		SCREW, Truss Head Machine, #10-24 X 1.000" Long	10					
13			Not Used						
14	060018		PIN, Link, .313" x 1.000" Long	1					
15	068417		CLIP, 5/16" Rue	1					
16	061174		PLATE, Stationary Trigger, RH	1					
17	061194		SCREW, Truss Head Machine, #10-24 X 1.250" Long	2					
18	061101		PLUNGER	2					
19	052763		SPRING, Plunger	2					
20	061067		TRIGGER	2					
21	061091		TAB, Vinyl, Red	4					
22	061306		COVER, Leg Section	1					
23			Not Used						
24	068050		WELDMENT, APC 5° Rail, Right	1					
25	061062		PAN, APC Head Support	1					
26	061057		PAN, APC Back Support	1					
27	068051		WELDMENT, APC 5° Rail , Left	1					
28	061125		CLIP, Retaining	4					
29	061092		ROD, APC Rail Pivot	2					
30	031100		WASHER, Flat Nylon, .313"	6					
31	068063		WASHER, APC Foot Rest Pan	4					
32	068060		ASSEMBLY, APC Foot Rest Pan	1					
33	061458		PIN, Spring, .125" x .750"	2					
34	068072		PAN, APC Leg Support	1					
35	075627		PIN, Clevis	1					
36	068059		SCREW, Phillips Pan Head Machine, #10-32 x 1.250" Long	4					
37	068058		PAD, APC Arm Rest	2					
38	061191		COVER, APC Back/Seat Vinyl	1					
39	065258		PIN, Locking Cotter	1					

ILLUSTRATED PARTS BREAKDOWN

FIGURE 6-5. APC-250 TOP ASSEMBLY



NOTE: Apply thread lock to Item 7.

FIGURE 6-5. APC-250 TOP ASSEMBLY

ILLUSTRATED PARTS BREAKDOWN

FIGURE 6-5. APC-250 TOP ASSEMBLY

Item No.	Part No.	S V C	Description	Units Per Assembly
	068031		APC-250 Top Assembly	X
1			Not Used	
2	061062		PLATE, APC Head Support	1
3	061057		PLATE, APC Back Support	1
4	061139		COVER, APC Back	1
5	061142		HOLDER, APC Chart	1
6	031500		SCREW, Truss Head Machine, #10-24 x 1.000" Long	8
7	031337		SCREW, Hex Head Cap, .250-20 x .750" Long	4
8	061019		BAR, APC Push	1
9	061161		SPACER, Back Cover	4
10	061191		COVER, Seat Back Vinyl	1

ILLUSTRATED PARTS BREAKDOWN

FIGURE 6-6. APC-250 FINAL ASSEMBLY

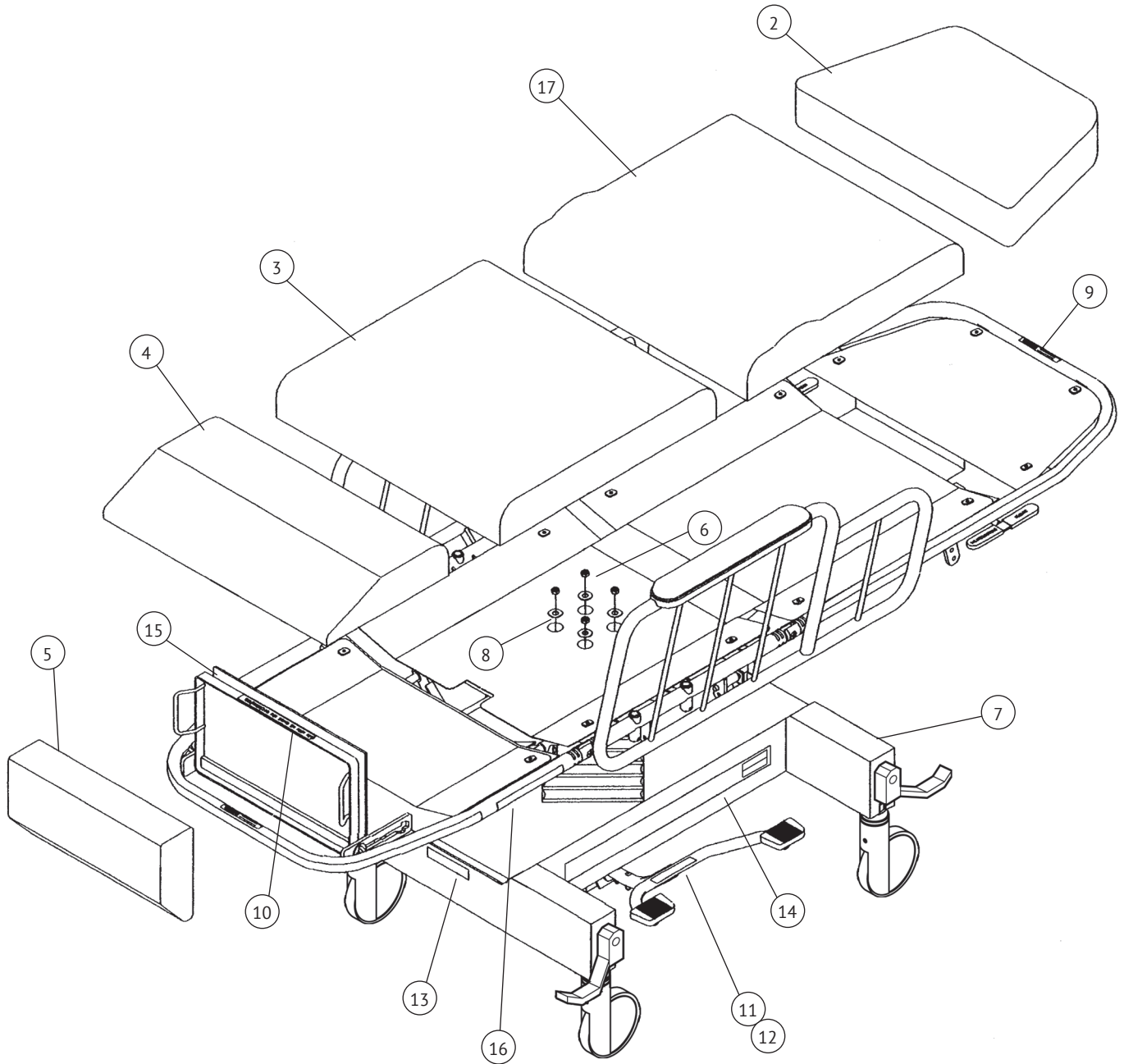


FIGURE 6-6. APC-250 FINAL ASSEMBLY

ILLUSTRATED PARTS BREAKDOWN

FIGURE 6-6. APC-250 FINAL ASSEMBLY

Item No.	Part No.			S V C	Description	Units Per Assembly							
		068031			APC-250 Final Assembly	X							
1					Not Used								
2	P	150830	385		PAD, Head Section	1							
3	P	150830	387		PAD, Back & Seat Section	1							
4	P	150830	388		PAD, Leg Section	1							
5	P	150830	389		PAD, Foot Section	1							
6		031057			NUT, Lock, .313-18	4							
7		068027			ASSEMBLY, APC 5° Base	1							
8		031080			WASHER, Flat, .313"	4							
9		061198			LABEL, Head & Foot Warning	2							
10		061141			LABEL, Foot Rest Warning	1							
11		061228			LABEL, Pedal, RH	1							
12		061229			LABEL, Pedal, LH	1							
13		075831			LABEL, Hausted Product	1							
14		075837			LABEL, APC Chair	2							
15		068113			MAT, Foot Rest Pan	1							
16		061358			LABEL, Operating	1							
17	P	150830	386		SUPPORT, Back Pad W/Lumbar	1							
18		031010			SCREW, Hex Head Cap, (N.S.), .313-18 x .750" Long (Not Shown)	4							

ILLUSTRATED PARTS BREAKDOWN

FIGURE 6-7.APC 5° BASE ASSEMBLY

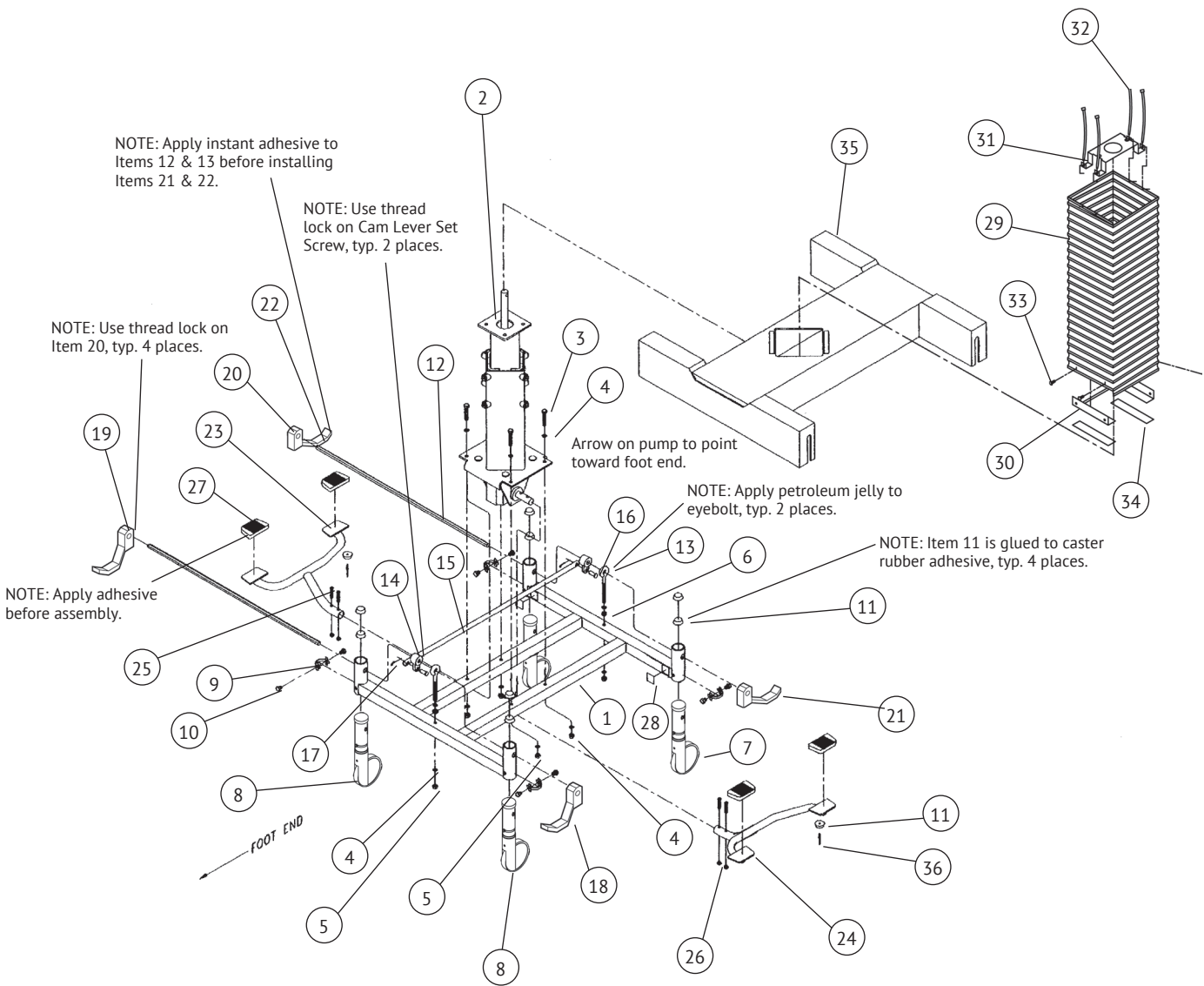


FIGURE 6-7.APC 5° BASE ASSEMBLY

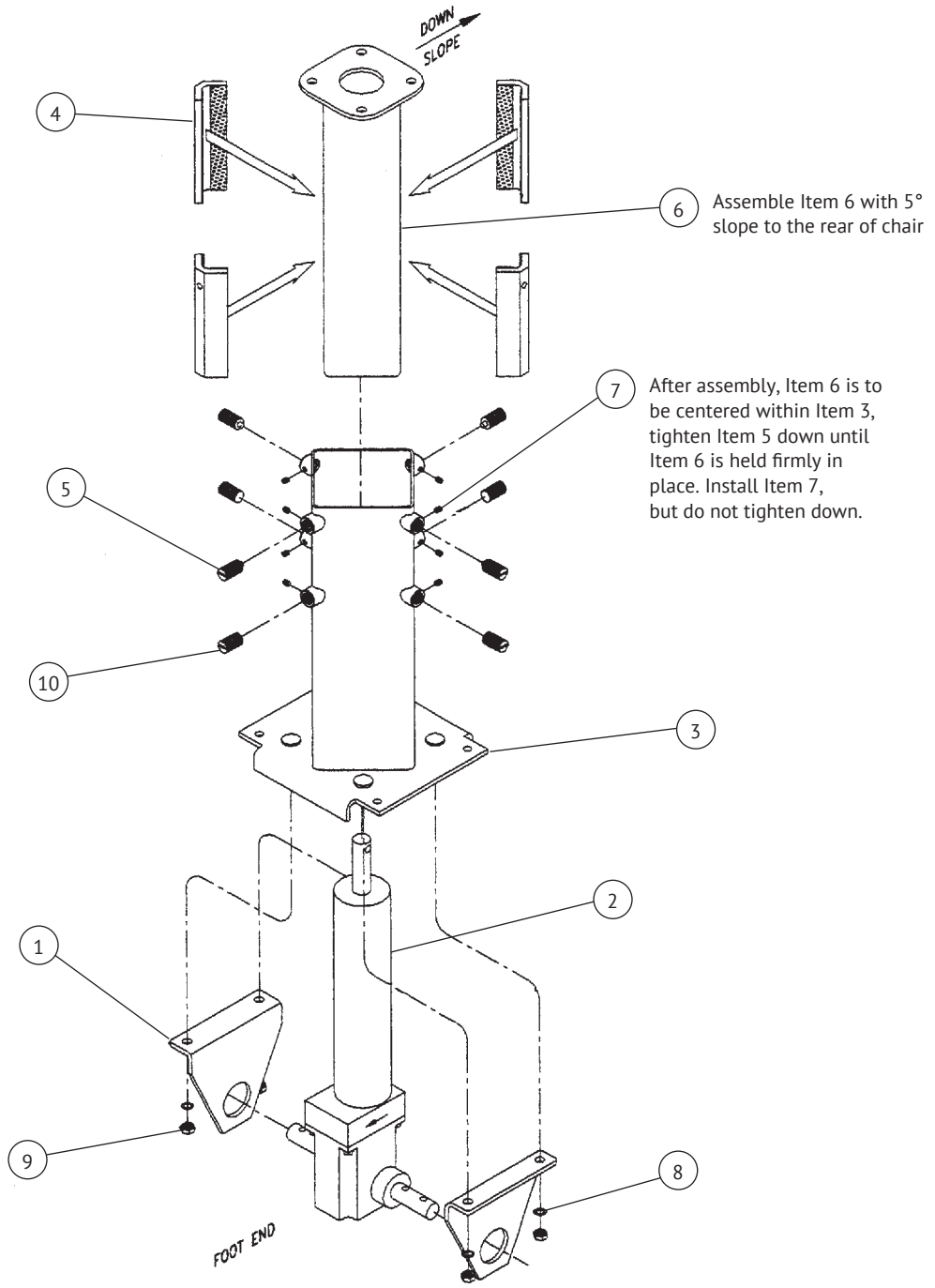
ILLUSTRATED PARTS BREAKDOWN

FIGURE 6-7.APC 5° BASE ASSEMBLY

Item No.	Part No.	S V C	Description	Units Per Assembly					
	068027		APC 5" Base Assembly	X					
1	065398		ASSEMBLY, Base Frame	1					
2	068028		ASSEMBLY, Column	1					
3	031334		SCREW, Hex Head Cap, .313-18 x 2.000" Long	4					
4	031080		WASHER, Flat, .313"	12					
5	031057		NUT, Lock, .313-18	6					
6	031058		NUT, Free Thread Hex, .313-18	2					
7	076531		CASTER, Total Lock	2					
8	076530		CASTER, Steer Lock	2					
9	062659		PLATE, Caster Bolt Lock	4					
10	062685		SCREW, Hex Head Cap, M8-1.0 x 10.00 MM Long	8					
11	031156		BUMPER, BH 2095 Recessed	10					
12	072640		ROD, Hex Brake	2					
13	062688		BOLT, Eye	2					
14	062684		LINK, CAM, Short	2					
15	065396		LINK, Cross	1					
16	060018		PIN, Link	2					
17	068417		CLIP, Rue	2					
18	066826		PEDAL, Right (Brake)	1					
19	069425		PEDAL, Left (Brake)	1					
20	031101		SCREW, Hex, .250-20 x .750" Long	4					
21	069192		PEDAL, Right (Steer)	1					
22	069424		PEDAL, Left (Steer)	1					
23	068046		PEDAL, Pump, Left	1					
24	068045		PEDAL, Pump, Right	1					
25	062128		SCREW, Button Socket Head Cap, .250-20 x 1.250" Long	4					
26	031055		NUT, Lock, .250-20	4					
27	061164		PAD, Pump Pedal	4					
28	061155		VELCRO, Hook for Base Cover	4					
29	061261		BELLOWS	1					
30	P61379		ASSEMBLY, Bellows Mounting Angle	1					
31	061288		PLATE, Bellows Top	1					
32	000849		TIE, Cable	4					
33	065129		CLIP, Bellows	4					
34	061167		VELCRO, Hook for Bellows	2					
35	065399		COVER, Base	1					
36	000794		RIVET, Pop, .188" x .126"/.250"	2					

ILLUSTRATED PARTS BREAKDOWN

FIGURE 6-8.APC 5° BASE COLUMN ASSEMBLY



NOTE: Apply #2 moly grease to Item 4 before assembly.

FIGURE 6-8.APC 5° BASE COLUMN ASSEMBLY

ILLUSTRATED PARTS BREAKDOWN

FIGURE 6-8. APC 5° BASE COLUMN ASSEMBLY

Item No.	Part No.		S V C	Description	Units Per Assembly						
					X						
		068028		APC 5° Base Column Assembly	X						
1		P61121		HANGER, Hydraulic Jack Support	2						
2		061122		MEDIJACK	1						
3		P61117		WELDMENT, APC Outside Column	1						
4		066178		SUPPORT, Short Glide	4						
5		061116		SCREW, Column Guide	4						
6		068048		WELDMENT, APC 5° Inside Column	1						
7	P	150830	573	SCREW, Nylon Tip, 1/4-20	8						
8		031080		WASHER, Flat, .313" I.D. x .875" O.D.	4						
9		031057		NUT, Lock, .313-18	4						
10		068199		SCREW, Column Guide W/O Point	4						

ILLUSTRATED PARTS BREAKDOWN

FIGURE 6-9. APC-250 FOOT CONTROL ASSEMBLY

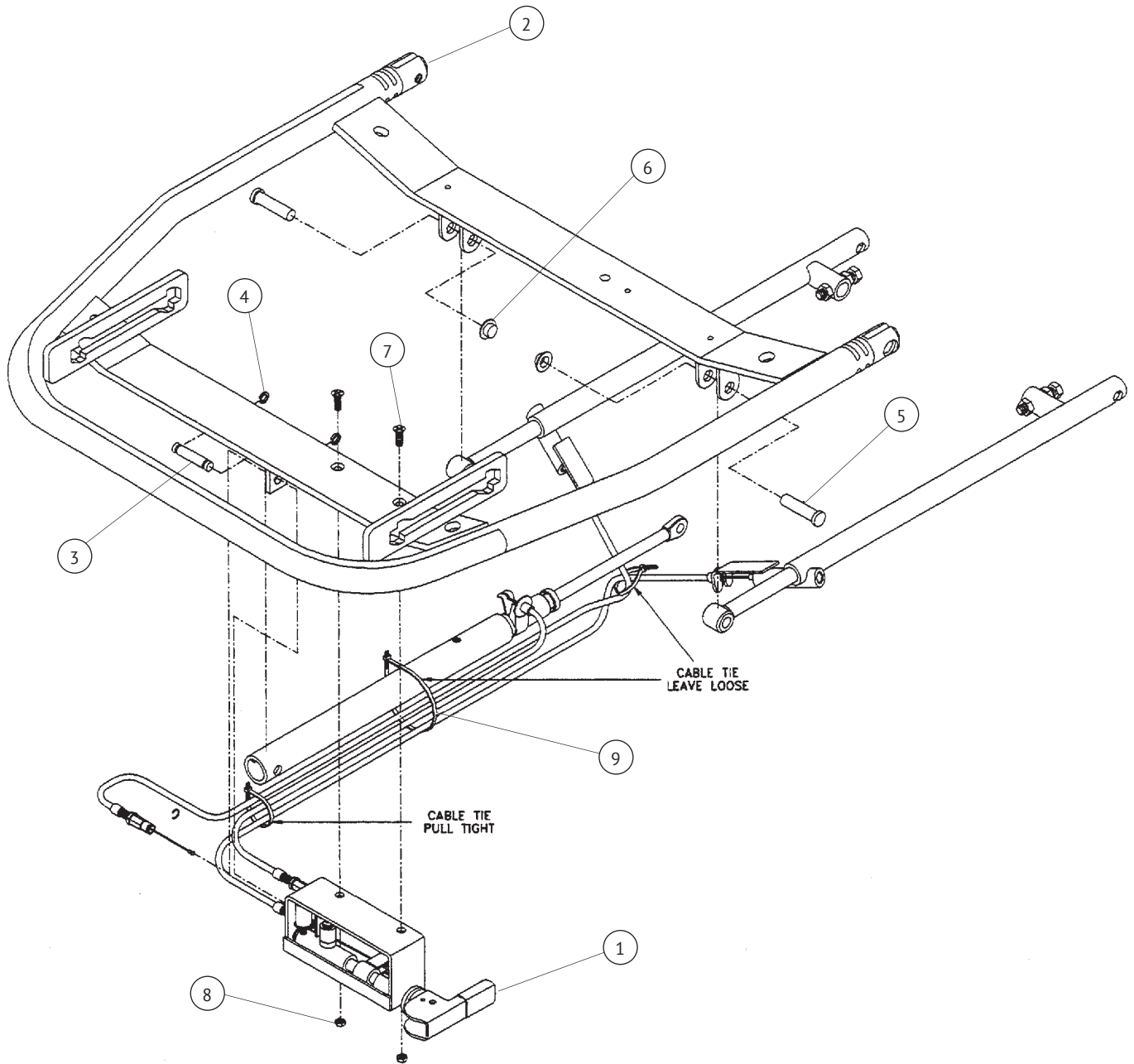


FIGURE 6-9. APC-250 FOOT CONTROL ASSEMBLY

ILLUSTRATED PARTS BREAKDOWN

FIGURE 6-9. APC-250 FOOT CONTROL ASSEMBLY

Item No.	Part No.		S V C	Description	Units Per Assembly						
					X						
		068034		APC-250 Foot Control Assembly	X						
1		061302		ASSEMBLY, Foot End Control	1						
2		068035		WELDMENT, Foot Frame	1						
3		061351		PIN, Leg Extension Tube	1						
4		031137		RING, Retaining, #5103-37	2						
5		011318		PIN, Clevis	2						
6		030287		NUT, Pal, .375"	2						
7		031432		SCREW, Phillips Flat Head, #10-24 x .625" Long	2						
8		031421		NUT, Lock, #10-24	2						
9		000849		TIE, Cable	3						

GF HEALTH PRODUCTS, INC. LIMITED WARRANTY FOR HAUSTED® BRAND PRODUCT LINE WITHIN THE U.S.

SCOPE OF WARRANTY

GF Health Products, Inc. ("GF") warrants to the original purchaser only that it will replace or repair components, at GF's sole discretion, that are defective in material or workmanship under normal use and service. All warranties are conditioned upon the proper use of the products strictly in accordance with good commercial practice and applicable GF instructions and manuals, including proper use and maintenance. To the extent that a component is warranted by a third party, GF conveys all of its rights under that warranty to the original purchaser, to the extent permitted.

This limited warranty shall only apply to defects that are reported to GF's customer service team within the applicable warranty period and which, upon examination by GF or its authorized representative, prove to be a warranty item. This limited warranty is not transferable.

The warranted components and time period are set forth below:

COMPONENT	PARTS WARRANTY	LABOR WARRANTY
Frame	5 years	5 years
Hydraulics	1 year	1 year
Casters	1 year	1 year
Pneumatic gas springs	1 year	1 year
Pads and mattresses	1 year	1 year
Patient weighing system	1 year	1 year
Electrical components	1 year	1 year
Optional accessories	1 year	1 year
Replacement parts *	90 days	

**The warranty period is as designated above. If a part is replaced under warranty, the original warranty period will not be affected. All other replacement parts will be subject to the warranty period specified.*

The applicable warranty period shall commence from date of shipment to the original customer, unless there is an expiration date on the component in which case the warranty shall expire on the earlier of warranty period or the expiration date.

OBTAINING WARRANTY SERVICE

A GF Customer Service Representative must authorize warranty service. Please contact the GF Customer Service department by calling 678.291.3207, sending a fax request to 770.368.2386 or by e-mailing a request to cs@grahamfield.com. Specific directions will be provided by the Customer Service Representative. Failure to abide by the specific directions will result in denial of the warranty claim.

EXCLUSIONS

The warranty does not cover and GF shall not be liable for the following:

- 1) Defects, damage, or other conditions caused, in whole or in part, by misuse, abuse, negligence, alteration, accident, freight damage, tampering or failure to seek and obtain repair or replacement in a timely manner;
- 2) Products which are not installed, used, or properly cleaned and maintained as required in the official manual for the applicable product;
- 3) Products considered to be of a consumable nature including, but not limited to: filters, fuses, gaskets, lubricants, and charts;
- 4) Accessories or parts not provided by GF;
- 5) Charges by anyone for adjustments, repairs, replacement parts, installation or other work performed upon or in connection with such products which are not expressly authorized in writing, in advance, by GF;
- 6) Any shipping charges incurred in the replacement part installation or repair;
- 7) Costs and expenses of regular maintenance and cleaning; and
- 8) Representations and warranties made by any person or entity other than GF.

ENTIRE WARRANTY, EXCLUSIVE REMEDY AND CONSEQUENTIAL DAMAGES DISCLAIMER

THIS WARRANTY IS GF'S ONLY WARRANTY AND IS IN LIEU OF ALL OTHER WARRANTIES, EXPRESS OR IMPLIED. GF MAKES NO IMPLIED WARRANTIES OF ANY KIND INCLUDING ANY IMPLIED WARRANTIES OF MERCHANTABILITY OR FITNESS FOR A PARTICULAR PURPOSE.

IF ANY MODEL OR SAMPLE WAS SHOWN TO THE CUSTOMER, SUCH MODEL OR SAMPLE WAS USED MERELY TO ILLUSTRATE THE GENERAL TYPE AND QUALITY OF THE PRODUCT AND NOT TO REPRESENT THAT THE PRODUCT WOULD NECESSARILY CONFORM TO THE MODEL OR SAMPLE IN ALL RESPECTS.

THIS WARRANTY IS LIMITED TO THE REPAIR OR REPLACEMENT OF THE DEFECTIVE PARTS. GF SHALL NOT BE LIABLE FOR AND HEREBY DISCLAIMS ANY DIRECT, SPECIAL, INDIRECT, INCIDENTAL, EXEMPLARY OR CONSEQUENTIAL DAMAGES, INCLUDING, BUT NOT LIMITED TO: DAMAGES FOR LOSS OF PROFITS OR INCOME, LOSS OF USE, DOWNTIME, COVER, OR EMPLOYEE OR INDEPENDENT CONTRACTOR WAGES, PAYMENTS AND BENEFITS.

The warranties contained herein contain all the representations and warranties with respect to the subject matter of this document, and supersede all prior negotiations, agreements and understandings with respect thereto. The recipient of this document hereby acknowledges and represents that it has not relied on any representation, assertion, guarantee, warranty, collateral contract or other assurance, except those set out in this document.

For additional information on this Hausted product or this warranty, please contact a GF Customer Service Representative.

NOTES:

- 1) Additional terms and conditions may apply.
- 2) Freight claims must be notated on the Bill of Lading and must be made with immediacy. The ICC regulations govern specific requirements for freight claims. Failure to abide by those regulations may result in a denial of the freight claim. GF will assist you in filing the freight claim.
- 3) Claims for any short shipment must be made within thirty (30) days of the invoice date.

www.hausted.com
www.grahamfield.com

Hausted[®]

www.hausted.com
www.grahamfield.com



GRAHAM-FIELD[®]

Manufactured by:
GF Health Products, Inc.
Fond du Lac, WI 54937
Proudly made in the U.S.A.