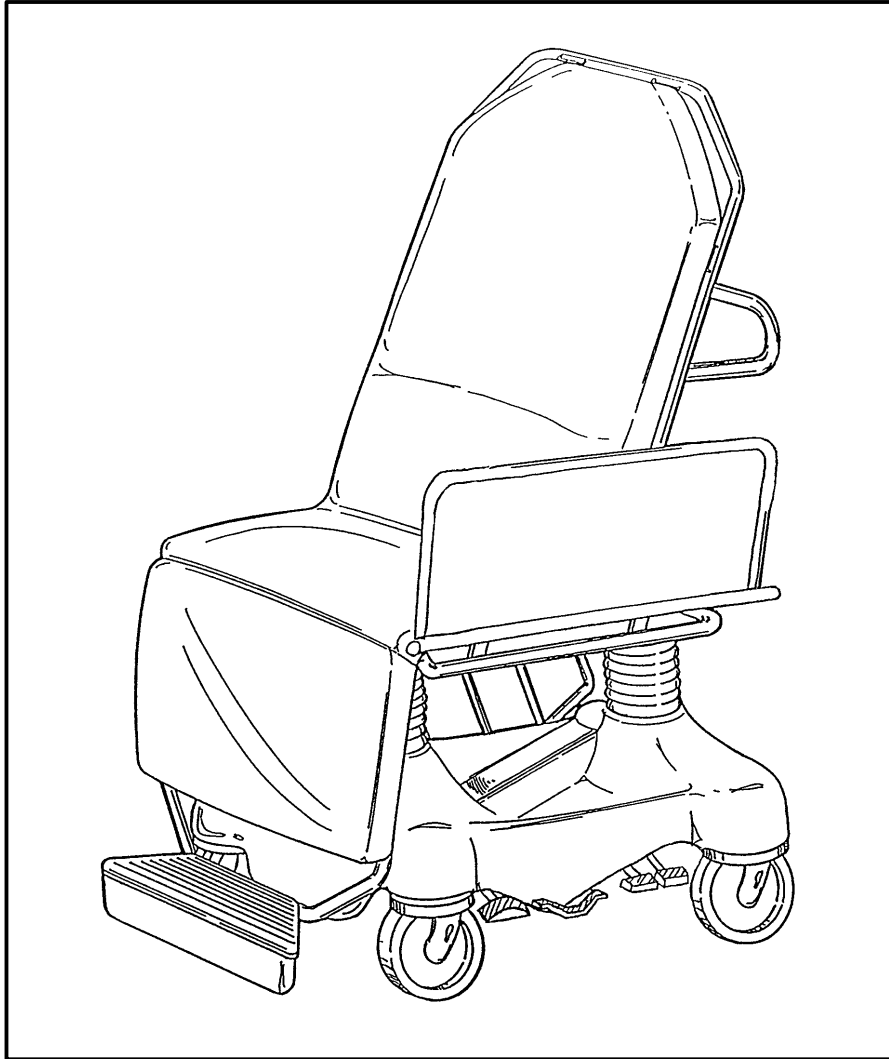

IMPORTANT
File in your
maintenance
records

stryker[®]
Medical



5050 Stretcher Chair

MAINTENANCE MANUAL

For stretchers with serial numbers of 9711034601 and above

For Parts or Technical Assistance:
1-800-327-0770

Table of Contents

Introduction	
Specifications	3
Warning / Caution / Note Definition	3
Preventative Maintenance	
Checklist	4
Cleaning	4.1
Service Information	
Hydraulic Jack Replacement	5
Jack Pump Piston Replacement	6, 7
Hydraulic Check Valve Replacement	
Replacement Of the Poppet Valve	8
Replacement Of the Check Valve	9
Checking Hydraulic Fluid Level	9
Adjustable Pressure Compensated (P.C.) Valve Replacement	10
Jack Descent Rate Adjustment	11
Steerlock Spring Replacement	11
Brake/Steer Pedal Replacement	12
Siderail Adjustment	13
Siderail Replacement (Transfer/Non–Transfer)	14
Dependent Leg Section Rigid Link Replacement	15
Foot Rest Pan Replacement (For Stationary or Adjustable Foot Rest)	15
Stationary Push Bar Replacement	16
Adjustable Push Bar Replacement	17
Pneumatic Fowler Adjustment	18
Independent Leg Section Cylinder Adjustment	19
Independent Leg Locking Linkage Adjustment	20
Independent Leg Section Locking Link Replacement	21
Independent Leg Section Cable Replacement	22
Independent Leg Section Handle Adjustment	23
Mattress Maintenance	23
Caster Maintenance	24
Base Lubrication Points	25
Assembly Drawings and Parts Lists	
Base Assembly	26–30
Brake Adjuster Assembly	31
Brake Cam Assembly	32
Brake Drive Link Assembly	32
Pump Pedal Assembly	33
Release Pedal Assembly, Head End	34
Release Pedal Assembly, Foot End	35
Foot End Brake Actuator	36
Head End Brake Actuator	37

Table of Contents

Assembly Drawings and Parts Lists (Continued)

Caster Wheel Assembly	38
Steer Caster Wheel Assembly	39
Molded Wheel Assembly	40
Jack Assembly	41
Jack Base Assembly	42
Base Hood/Label Assembly	43
Base Hood Graphics	44
Midsection Assembly	45
Fowler Assembly	46, 47
Dependent Leg/Stationary Foot Section Assembly	48–50
Dependent Leg/Adjustable Foot Section Assembly	51–53
Independent Leg/Stationary Foot Assembly	54–57
Independent Leg/Adjustable Foot Section Assembly	58–61
Independent Leg Section Locking Link, Right	62
Independent Leg Section Locking Link, Left	63
Non–Transfer Siderail Assembly	64
Transfer Siderail Assembly	65
Board Support Assembly	66
Adjustable Push Bar Assembly	67
Stationary Push Bar Assembly	68
Heel Stirrup Assembly	69
Heel Stirrup Bracket Assembly	70
Tethered I.V. Pole Assembly	71
Tethered I.V. Pole Trough Assembly	72
Tethered I.V. Pole Assembly	73
I.V. Holder Assembly	74
Wrist Rest Assembly	75
Wrist Rest Assembly, Temporal	76
Wrist Rest Accessory Bracket Assembly	77
Leg Support Assembly	78
Leg Support Bracket Assembly	79
Replacement Parts	80
Limited Warranty	
Obtaining Parts and Service	81
Supplemental Warranty Coverage	81
Return Authorization	82
Freight Damage Claims	82

Introduction

INTRODUCTION

This manual is designed to assist you with the maintenance of the model 5050 Stretcher Chair. Read it thoroughly before using the equipment or beginning any maintenance on it.

SPECIFICATIONS

Maximum Weight Capacity	400 pounds
Overall Stretcher Length/Width	76"/30"
Patient Surface Length/Width (Mattress)	74"/24"
Minimum/Maximum Stretcher Height (Floor to Litter Surface)	22"/33.5"
Foot Section Articulation	0° to 80°
Fowler Articulation	0° to 90°
Trendelenburg/Reverse Trendelenburg Articulation	+18°/-18°

WARNING / CAUTION / NOTE DEFINITION

The words WARNING, CAUTION and NOTE carry special meanings and should be carefully reviewed.

WARNING

The personal safety of the patient or user may be involved. Disregarding this information could result in injury to the patient or user.

CAUTION

These instructions point out special procedures or precautions that must be followed to avoid damaging the equipment.

NOTE

This provides special information to make maintenance easier or important instructions clearer.

WARNING

Always apply the caster brakes when a patient is getting on or off the Stretcher Chair. Push on the Stretcher Chair to ensure the brakes are securely locked. Always engage the brakes unless the Stretcher Chair is being moved. Injury could result if the Stretcher Chair moves while a patient is getting on or off the Stretcher Chair.

Preventative Maintenance

CHECKLIST

- _____ All fasteners secure (reference all assembly prints)
- _____ Siderails move and latch properly – securing pins and screws are intact
- _____ Transfer surface (optional equipment) intact and working properly
- _____ Engage brake pedal and push on the stretcher to ensure all casters lock securely
- _____ All casters secure and swiveling properly
- _____ Steer function working properly
- _____ Fowler/leg articulation operating properly – adjust as necessary
- _____ Trendelenburg/Reverse Trendelenburg operating properly
- _____ No leaks at hydraulic connections
- _____ Hydraulic jacks holding properly
- _____ Hydraulic drop rate set properly. (see page 11 for procedure)
- _____ Hydraulic oil level sufficient (see page 9 for procedure)
- _____ Oxygen bottle holder intact
- _____ No rips or cracks in mattress cover or restraint straps – all Velcro intact and in good condition
- _____ Head and foot section bumpers intact and in good condition
- _____ Lubricate where required, including the brake adjuster assembly and brake cam and the independent foot section mechanisms (optional equipment)
- _____ Accessories and mounting hardware in good condition and working properly

Serial No. _____

_____	_____	_____
_____	_____	_____
_____	_____	_____
_____	_____	_____

Completed By: _____ Date: _____

Cleaning

Hand wash all surfaces of the stretcher with warm water and mild detergent. Dry thoroughly. **DO NOT STEAM CLEAN, PRESSURE WASH, HOSE OFF OR ULTRASONICALLY CLEAN.** Using these methods of cleaning is **not** recommended and may void this product's warranty.

Clean Velcro **AFTER EACH USE**. Saturate Velcro with disinfectant and allow disinfectant to evaporate. (Appropriate disinfectant for nylon Velcro should be determined by the hospital.)

In general, when used in those concentrations recommended by the manufacturer, either phenolic type or quaternary type disinfectants can be used with Staph–Chek fabrics. Iodophor type disinfectants are not recommended for use on Staph–Chek fabrics because staining may result. The following products have been tested by the Herculite Laboratory and have been found not to have a harmful effect on Staph–Chek fabrics **WHEN USED IN ACCORDANCE WITH MANUFACTURERS RECOMMENDED DILUTION.***

TRADE NAME	DISINFECTANT TYPE	MANUFACTURER	*MANUFACTURER'S RECOMMENDED DILUTION
A33	Quaternary	Airwick (Professional Products Division)	2 ounces/gallon
A33 (dry)	Quaternary	Airwick (Professional Products Division)	1/2 ounce/gallon
Beaucoup	Phenolic	Huntington Laboratories	1 ounce/gallon
Blue Chip	Quaternary	S.C. Johnson	2 ounces/gallon
Elimstaph	Quaternary	Walter G. Legge	1 ounce/gallon
Franklin Phenomysan F2500	Phenolic	Purex Corporation	1 1/4 ounce/gallon
Franklin Sentinel	Quaternary	Purex Corporation	2 ounces/gallon
Galahad	Phenolic	Puritan Churchill Chemical Company	1 ounce/gallon
Hi–Tor	Quaternary	Huntington Laboratories	1/2 ounce/gallon
LPH	Phenolic	Vestal Laboratories	1/2 ounce/gallon
Matar	Phenolic	Huntington Laboratories	1/2 ounce/gallon
Omega	Quaternary	Airwick (Professional Products Division)	1/2 ounce/gallon
Quanto	Quaternary	Huntington Laboratories	1 ounce/gallon
Sanikleen	Quaternary	West Chemical Products	2 ounces/ gallon
Sanimaster II	Quaternary	Service Master	1 ounce/gallon
Vesphene	Phenolic	Vestal Laboratories	1 1/4 ounce/ gallon

Quaternary Germicidal Disinfectants, used as directed, and/or Chlorine Bleach products, typically 5.25% Sodium Hypochlorite in **dilutions ranging between 1 part bleach to 100 parts water, and 2 parts bleach to 100 parts water are not considered mild detergents. These products are corrosive in nature and may cause damage to your stretcher if used improperly.** If these types of products are used to clean Stryker patient handling equipment, measures must be taken to insure the stretchers are rinsed with clean water and thoroughly dried following cleaning. Failure to properly rinse and dry the stretchers will leave a corrosive residue on the surface of the stretcher, possibly causing premature corrosion of critical components.

NOTE

Failure to follow the above directions when using these types of cleaners may void this product's warranty.

REMOVAL OF IODINE COMPOUNDS

This solution may be used to remove iodine stains from mattress cover and foam footrest pad surfaces.

1. Use a solution of 1–2 tablespoons Sodium Thiosulfate in a pint of warm water to clean the stained area. Clean as soon as possible after staining occurs. If stains are not immediately removed, allow solution to soak or stand on the surface.
2. Rinse surfaces which have been exposed to the solution in clear water before returning bed to service.

Notes

Service Information

HYDRAULIC JACK REPLACEMENT

Required Tools:

3/8" Wrench
Straight Screwdriver
3" Extension

Needle-Nosed Pliers
1/2" Wrench
(2) 7/16" Wrenches

Allen Wrench
1/2" Socket

Replacement Procedure:

NOTE

It requires two people to safely perform this procedure.

1. Apply the Stretcher Chair brakes. Raise the litter to full up. Raise the Fowler and the siderails.
2. Use a 3/8" wrench to remove the bolts in the litter support tubes above the black bellows on both ends of the litter.
3. With the assistance of another person, lift the litter off the base and set it aside, taking care not to damage the leg section linkages and other litter components.
4. Push down on the jack actuator to put the jack in the full down position.
5. Lift off the plastic base hood, separating the Velcro holding it to the base frame.
6. Using an Allen wrench and a 1/2" wrench, remove the nylon lock nut underneath the pump piston.
7. Using a straight screwdriver and pump spring compression tool (p/n 5050-500-70) compress the pump spring and pry the pump link and socket head fastener out of the pump cylinder.

CAUTION

Do not let the pump piston come out of the jack or damage may occur.

8. Using a 1/2" socket and a 1/2" wrench, remove the four bolts, washers, and nuts holding the jack support clamps to the base frame.
9. Using the 1/2" socket and 1/2" wrench, remove the four bolts, washers, and nuts holding the jack base to the base frame. (Using a 3" extension may be required). Remove the jack from the base frame.
10. Reverse steps 8 and 9 to install the replacement jack.
11. For head end jack only – using two 7/16" wrenches, remove the fasteners for the brake drive link and move it to the side.
12. With the pump pedal in the full-up position, insert the pump link into the pump pivot assembly and align the hole in the end of the pump link to the hole in the pump piston on the jack. Pull out or push in on the pump piston as required. Remove the pump link.
13. Install the spring guide and grease before installing the jack spring onto the pump piston.
14. Place the spring collar onto the end of the compression spring.
15. Put the spring compression tool on the 1"x1" tubing with the handle to the right with the spring collar in the recessed "U"-shaped plate. Push the entire assembly forward until it stops and tighten the knob.
16. Visually align the pump piston to the center of the cut-out in the "U"-shaped plate. This will prevent pushing the pump piston in while compressing the jack spring. Continue to check the alignment while compressing the spring.
17. Compress the jack spring by pulling back on the fixture handle. While doing this, use your left hand to push the upright, with the plastic sleeve, to the right. This prevents binding of the dowel pin in the slot of the fixture. Compress the jack spring until the fixture bottoms out.
18. While keeping pressure on the jack spring, use your left hand to place the pump link into the pump pivot assembly and align the other end of the link to the hole in the pump piston.

Service Information

HYDRAULIC JACK REPLACEMENT (CONTINUED)

19. With pressure still on the jack spring, install the socket head cap screw through both the pump link and the pump piston.
20. Partially thread the locking nut for the socket head cap screw before taking the jack fixture off the 1"x1" tube.
21. Tighten the locking nut for the socket head cap screw.
22. Pump the jack fully up and lower to ensure proper operation.
23. Reinstall the base hood, securing it to the Velcro.
24. With the assistance of another person, place the litter back on the base.
25. Use a 3/8" wrench to install the bolts in the litter support tubes above the black bellows on both ends of the litter.
26. Pump the litter fully up and down to verify proper operation before returning the Stretcher Chair to service.

JACK PUMP PISTON REPLACEMENT

Replacement pump piston part # – 715-100-325

Jack tool part # – 5050-500-70

Required Tools:

3/8" Wrench
Straight Screwdriver

Needle-Nosed Pliers
1/2" Wrench

Allen Wrench
7/8" Wrench

Replacement Procedure:

NOTE

It requires two people to safely perform this procedure.

1. Apply the Stretcher Chair brakes. Raise the litter to full up. Raise the Fowler and the siderails.
2. Use a 3/8" wrench to remove the bolts in the litter support tubes above the black bellows on both ends of the litter.
3. With the assistance of another person, lift the litter off the base and set it aside, taking care not to damage the leg section linkages and other litter components.
4. Push down on the jack actuator to put the jack in the full down position.
5. Lift off the plastic base hood, separating the Velcro holding it to the base frame.
6. Using an Allen wrench, and a 1/2" wrench, remove the nylon lock nut underneath the pump piston.
7. Using a straight screwdriver and pump spring compression tool (p/n 5050-500-70), compress the pump spring and pry the pump link and socket head fastener out of the pump cylinder.
8. Remove the jack spring.
9. Using needle-nosed pliers, remove the spring holder.
10. Using a 7/8" wrench, remove the pump piston assembly and the bottom seal and discard the seal. There may be some slight hydraulic fluid leakage.
11. Install the replacement seal into the jack base.
12. Install the replacement pump piston assembly and tighten fully with a 7/8" wrench.
13. For head end jack only – using two 7/16" wrenches, remove the fasteners for the brake drive link and move it to the side.

Service Information

JACK PUMP PISTON REPLACEMENT (CONTINUED)

14. With the pump pedal in the full-up position, insert the pump link into the pump pivot assembly and align the hole in the end of the pump link to the hole in the pump piston on the jack. Pull out or push in on the pump piston as required. Remove the pump link.
15. Install the spring guide and grease before installing the jack spring onto the pump piston.
16. Place the spring collar onto the end of the compression spring.
17. Install the spring compression tool onto the 1"x1" tubing with the handle to the right and capture the spring collar in the recessed "U"-shaped plate. Push the entire assembly forward until it stops and tighten the knob.
18. Visually align the pump piston to the center of the cut-out in the "U"-shaped plate. This will prevent pushing the pump piston in while compressing the jack spring. Continue to check the alignment while compressing the spring.
19. Compress the jack spring by pulling back on the fixture handle. While doing this, use your left hand to push the upright, with the plastic sleeve, to the right. This prevents binding of the dowel pin in the slot of the fixture. Compress the jack spring until the fixture bottoms out.
20. While keeping pressure on the jack spring, use your left hand to place the pump link into the pump pivot assembly and align the other end of the link to the hole in the pump piston.
21. With pressure still on the jack spring, install the socket head cap screw through both the pump link and the pump piston.
22. Partially thread the locking nut for the socket head cap screw before taking the jack fixture off the 1"x1" tube.
23. Tighten the locking nut for the socket head cap screw.
24. Pump the jack fully up and lower to ensure proper operation.
25. Reinstall the base hood, securing it to the Velcro.
26. With the assistance of another person, place the litter back on the base.
27. Use a 3/8" wrench to install the bolts in the litter support tubes above the black bellows on both ends of the litter.
28. Pump the litter fully up and lower to ensure proper operation before returning the Stretcher Chair to service.

Service Information

HYDRAULIC VALVE REPLACEMENT

Required Tools:

3/8" Open End Wrench
1/2" Diameter Rod

Stiff Wire (with bent, pointed end)
Torque Wrench (with Ft. Lbs. adjust.)

Small Needle Nose Pliers

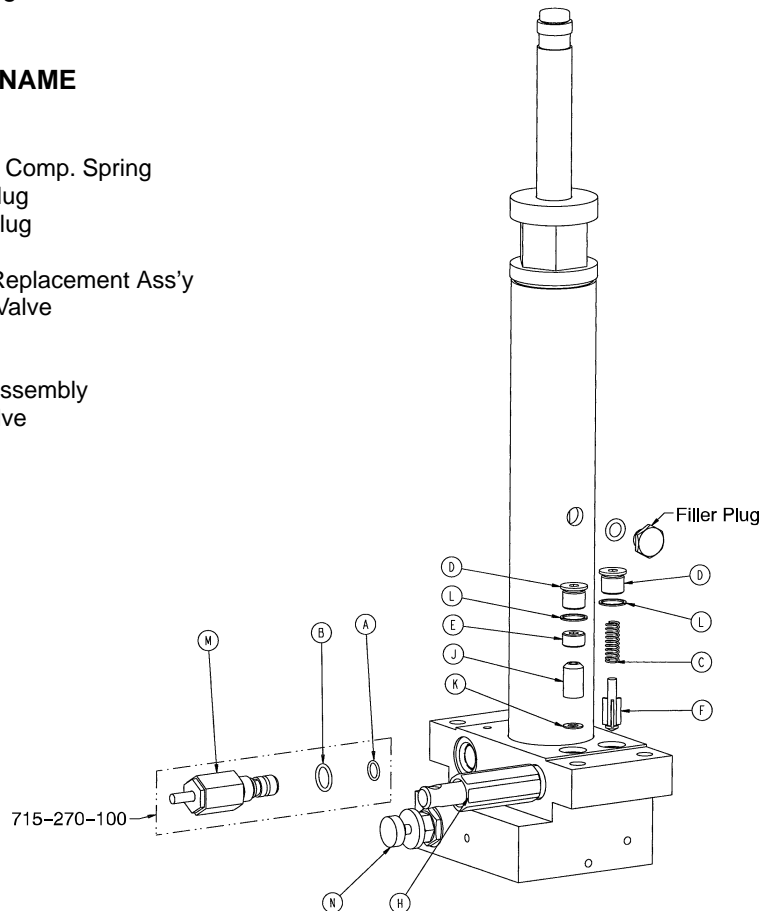
Replacement of the Poppet Valve:

WARNING

To avoid personal injury or damage to the stretcher, remove the litter and the base hood with the assistance of another person before beginning service on the jacks. Lower the jack rod completely to relieve the pressure on the pump piston side of the jack. This will prevent large hydraulic fluid loss and possible damage when the base plugs are removed.

1. Remove the base plug (D) and the seal (L).
2. Remove the compression spring (C).
3. Using a small needle nose pliers, remove the poppet (F).
4. Install the new poppet (F).
5. Install the compression spring (C).
6. Install the seal (L) and the base plug (D) and tighten to 10 foot-pounds torque.
7. Pump up the jack to the maximum height. Apply weight and ensure the jack holds its position and there are no hydraulic leaks before replacing the base hood and the litter.

ITEM	PART NO.	PART NAME
A	45-966	O-Ring
B	45-967	O-Ring
C	390-2-134	Conical Comp. Spring
D	715-1-301	Base Plug
E	715-1-309	Valve Plug
F	715-1-341	Poppet
H	715-100-325	Pump Replacement Ass'y
J	926-20-153	Check Valve
K	926-20-154	Seal
L	926-20-156	Seal
M	1210-70-9	Valve Assembly
N	5050-70-50	P.C. Valve



Service Information

HYDRAULIC VALVE REPLACEMENT (CONTINUED)

Replacement of the Check Valve:

NOTE

It requires two people to safely perform this procedure.

WARNING

To avoid personal injury or damage to the stretcher, always remove the litter and the base hood before beginning service on the jacks.

1. Using a 3/8" open end wrench, remove square head set screws from both the head end and the foot end jack support tubes. Remove the litter top and set it aside.
2. Lift off the plastic base hood, separating the Velcro holding it to the base frame.
3. Lower the jack to the full down position. The actuator must be manually lowered while the appropriate release pedal is depressed.
4. Remove the base plug (D) and the seal (L).
5. Remove the valve plug (E).
6. Using a stiff wire with a bent, pointed end, remove the check valve (J) and the seal (K).
7. Install the seal (K) flat to the bottom of its hole with a 1/2" diameter rod.
8. Install the new check valve (J) with the beveled end up (as shown in the illustration).
9. Install the valve plug (E) and tighten to 10 foot-pounds torque.
10. Install the seal (L) with the base plug (D) and tighten to 10 foot-pounds torque.
11. Pump up the jack to the maximum height. Apply weight and ensure the jack holds its position and there are no hydraulic leaks before replacing the base hood and the litter.

CHECKING HYDRAULIC FLUID LEVEL

Required Tools:

3/8 Open End Wrench

3/4 Open End Wrench

Procedure:

1. Using a 3/8 open end wrench, remove square head set screws from both head and foot end jack support tubes. Remove litter top, taking care not to damage the leg section linkages and other litter components.
2. Lift off the plastic base hood, separating the Velcro holding it to the base frame.
3. Be sure there are no hydraulic leaks. If there are, jack replacement will be necessary. Lower the jack to the full down position. Using a 3/4 open end wrench, slowly turn the fill plug located on the side of the reservoir counterclockwise to allow excess system pressure to vent. Remove the fill plug.
4. The hydraulic fluid should be visible at the bottom of the fill hole. If it is not, add Mobil Aero HFA hydraulic fluid (Stryker part number 2020-70-475) until the fluid is visible at the bottom of the fill hole. Replace the fill plug.

CAUTION

Use of other types of oil may damage hydraulic units.

5. Replace the base hood and the litter.

Service Information

ADJUSTABLE PRESSURE COMPENSATED (P.C.) VALVE REPLACEMENT

WARNING

To avoid personal injury or damage to the stretcher, always remove the litter and the base hood before beginning service on the jacks. Lower the jack rod completely to relieve the pressure on the pump piston side of the jack.

Required Tools:

3/8" Wrench

13/16" Wrench

Replacement Procedure:

NOTE

It requires two people to safely perform this procedure.

1. Apply the Stretcher Chair brakes. Raise the litter to full up. Raise the Fowler and the siderails.
2. Use a 3/8" wrench to remove the bolts in the litter support tubes above the black bellows on both ends of the litter.
3. With the assistance of another person, lift the litter off the base and set it aside, taking care not to damage the leg section linkages and other litter components.
4. Push down on the jack actuator to put the jack in the full down position.
5. Lift off the plastic base hood, separating the Velcro holding it to the base frame.
6. Using a 13/16" wrench, remove the adjustable P.C. valve (see page 8 for part identification).
7. Check for any contaminants in the valve as well as the jack base.
8. Install a new P.C. valve. Moisten the O-ring seal with a little hydraulic fluid to ensure a good seal.
9. Tighten the valve manually and then an additional 1/8–1/4 turn with 13/16" wrench. **Do not over-tighten** or damage may occur to the O-ring seal.
10. Pump up the jack to the maximum height and press the release pedal to lower it to check the jack's operation.
11. Check for any hydraulic fluid leaks before replacing the base hood and litter.

Service Information

JACK DESCENT RATE ADJUSTMENT

Required Tools:

Bungee Cords

Adjustment Procedure:

1. Pump the litter up to full height
2. Lift the base hood, separating the Velcro holding it to the base frame.
3. The adjustable descent valve is located on the base of the jack and has a blue knob on the end. To adjust, loosen the silver locking ring by turning it counterclockwise. Turning the blue knob clockwise will increase the rate of litter descent. Turning it counterclockwise will decrease the rate of descent.
4. Adjust the valve so that the jack at the foot end of the Stretcher Chair will descend slightly faster than the jack at the head end.
5. Remove the bungee cords supporting the base hood and secure the hood to the base frame.

NOTE

The jack descent rate was preset at the factory to drop the foot end 3–7 seconds faster than the head. It is recommended that the foot drops faster to avoid patient disorientation.

STEERLOCK SPRING REPLACEMENT

Required Tools:

3/32" Hex Allen Wrench
Bungee Cords

11/32" Wrench
Pliers

Replacement Procedure:

1. Raise the litter to full-up.
2. Lift up the plastic base hood, separating the Velcro holding it to the base frame and, using the bungee cords, suspend it from the litter.
3. Using a 3/32" hex Allen wrench and a 11/32" wrench, remove the 8–32 fastener, washer and nut holding the steerlock arm onto the base.
4. Holding onto the extension spring, twist the steerlock arm back and forth to remove it from the spring.
5. Using pliers, remove the spring from the steerlock weldment over the caster and discard it.
6. Grease the end of the steerlock weldment and install the replacement extension spring onto it until the spring reaches the bend in the steerlock weldment arm.
7. Grease the end of the steerlock arm and, while holding the extension spring, insert the steerlock arm into the spring until it reaches the bend in the steerlock arm (rotating the steerlock arm while pushing on it may help).
8. Reconnect the steerlock arm to the base with the 8–32 fastener, washer, and nylon lock nut and tighten.
9. Actuate the brake steer pedal and ensure the steerlock latch engages into the notch in the locking caster.
10. Remove the bungee cords supporting the base hood and secure the hood to the base frame.

Service Information

BRAKE/STEER PEDAL REPLACEMENT

Required Tools:

Two (2) 7/16" Wrenches
Hammer

3/16" Drive Pin
3/8" Box End Wrench

Loctite 409 or Equivalent
Bungee Cords

Replacement Procedure:

NOTE

It may require two people to safely perform this procedure.

1. Apply the brakes, if possible, with the remaining good brake/steer pedal. If this is not possible, have someone assist you with the following: Using a large wrench or pry tool, push down on the brake bar (compressing the spring) and manually move the molded plastic brake cam over to the brake position at both ends of the base.
2. Raise the litter to full up. Raise the Fowler and the siderails.
3. Suspend the base hood from the litter and out of the way with bungee cords. Or, for better access, remove the litter by following the next 3 steps.
4. Using a 3/8" wrench, remove the bolt in the litter support tube above the black bellows on both ends.
5. With the assistance of another person, lift off the stretcher litter and set it aside, taking care not to damage the leg section linkages, or other litter components.
6. Lift off the plastic base hood, separating the Velcro holding it to the base frame.
7. Using the 7/16" wrenches, remove the bolt, nut and washers holding the square brake drive link assembly on the brake actuator on both sides of the base.
8. While lifting one end (head or foot) of the base, rotate the brake/steer pedal so its bottom is facing up.
9. Use a hammer and 3/16" drive pin to remove the groove pin (part number 26–261) from the plastic brake/steer pedal (part number 715–201–201). Be sure that you are driving the pin out *from the bottom* of the pedal *towards the top* of the pedal.
10. Once the groove pin has been removed, remove the brake/steer pedal from the brake rod (use of a hammer may be required).
11. Repeat step 8 so the brake actuators are upright.
12. Fit the replacement brake/steer pedal onto the brake rod.
13. Align the holes in the brake/steer pedal with the holes in the brake rod and use a hammer to install the replacement groove pin. Drive the pin in *from the top* of the pedal until it is flush to the top of the pedal.
14. Reverse step 7 to reattach both brake drive link assemblies to the base (When the pedal is reconnected it will already be in the brake position).
15. Actuate the brake/steer pedal to ensure the unit functions fully in brake, neutral and steer modes.
16. Reinstall the base hood, securing it to the Velcro.
17. With the assistance of another person, place the litter back on the base (if necessary).
18. Use a 3/8" wrench to install the bolts in the litter support tubes above the black bellows on both ends of the litter.

Service Information

SIDERAIL ADJUSTMENT

Required Tools:

3/16" Hex Allen Wrench

Loctite 242

WARNING

Proper siderail latching is necessary for patient and user safety. Check the siderails frequently to ensure both sides latch securely in both the upright and down positions. In addition, check for proper lubrication of the release handle and for secure dowel pins through the sides of the siderails.

If siderail will not latch in place:

1. Ensure the red knob is seated fully when released in either the upright or down position (down position will be slightly tucked under the litter). If it is not, use a 3/16" hex Allen wrench to remove the button head cap screw in the end of the red knob. Apply Loctite 242 to the end of the screw, replace it in the knob, and tighten fully.

If a release knob assembly needs replacing:

1. Use a 3/16" Allen wrench to remove the button head cap screw, washer and spring in the end of the red release knob.
2. Hold the siderail to keep it from swinging and pull off the release knob assembly.
3. Apply grease to the release knob shaft and inspect the locking pin holes to ensure they are not obstructed.
4. Install the replacement knob and push it all the way in so the siderail latches in the upright position.
5. Carefully pull the release knob back and put the siderail in the down position. Push the knob back in fully and ensure it latches in the down position. If it does not, pull out on the knob and rotate it 180°. It should now latch in both the upright and down positions.
6. Replace the compression spring and washer.
7. Apply Loctite 242 to the end of the screw and replace it in the end of the knob and tighten fully.
8. Check again to ensure the knob latches in place in both positions.

Service Information

SIDERAIL REPLACEMENT (TRANSFER/NON-TRANSFER)

Required Tools:

Hammer
Loctite 242

1/4" Drive Pin
Pliers

3/16" Hex Allen Wrench

Replacement Procedure:

1. Apply the Stretcher Chair's brakes. Raise the litter to full height and put the Fowler up.
2. Rotate the siderail to a horizontal position and support it.
3. With the siderail in the horizontal position, use a 1/4" drive pin and a hammer to drive out the pin holding the siderail.
4. While continuing to support the siderail from underneath (to prevent it from falling), pull back on the red release knob and remove the knob assembly with the latch pivot shaft.
5. Once the knob assembly and latch pivot shaft are removed, the entire siderail assembly will pull away from the litter and off the pivot hub at the foot end of the midsection. Save the latch housing insert. It will be used for assembly of the replacement siderail.
6. Place the latch housing insert into the main tube of the replacement siderail and rotate it so the single hole in the face of it is upright (pointing to the top of the replacement siderail). This orientation must be maintained throughout assembly.
7. Place the replacement siderail on the pivot hub at the foot end of the midsection and swing it back into place in the upright position.
8. Using a 3/16" hex Allen wrench, remove the fastener from the end of the red release knob and disassemble the washer, spring and latch pivot shaft.
9. Insert the latch pivot shaft through the hole in the litter frame and into the latch housing insert and orient it so all the holes in the siderail tube, latch housing insert, and the latch pivot shaft are aligned. Again, this alignment must be maintained. It may help to use the 1/4" drive pin to hold all three parts in alignment. Insert the pin from the outside of the siderail to the inside with the siderail in the upright position.
10. From below the siderail, remove the punch being used to maintain alignment, insert the dowel pin from the top of the siderail and drive it in using a hammer until it is flush with the top surface of the siderail. Use the punch to set the pin slightly deeper. The pin should be approximately the same depth on both sides of the siderail but be sure not to drive it back out the other side.
11. With the siderail in the upright position, replace the red release knob over the shaft and into the position locking holes.
12. Ensure the siderail will lock in both the upright and down positions and that the down position locks the siderail at a slight inward angle (not outward).
13. If this is not the case, rotate the knob 180° and check the positioning again.
14. Replace the compression spring and the steel washer inside the end of the red release knob. Apply Loctite 242 to the Allen head screw, install it into the end of the red release knob and tighten fully.

Service Information

DEPENDENT LEG SECTION RIGID LINK REPLACEMENT

Required Tools:

(2) 9/16" Wrenches

1/2" Wrench

3/16" Hex Allen Wrench

Replacement Procedure:

1. Pump the litter to full height, lower the Fowler so that stretcher chair is flat and apply brakes.
2. Using two 9/16" wrenches, remove the nylon lock nut, hex head bolt, and nylon washers at the foot end of the rigid connecting link.
3. Using a 1/2" wrench and a 3/16" hex Allen wrench, remove the nylon lock nut, bolt and washers at the head end of the rigid connecting link and remove the link.
4. Reverse steps 2 & 3 to install the replacement rigid connecting link.
5. Actuate the Fowler up and down to make sure that the rigid connecting link allows the foot section to follow smoothly.

FOOT REST PAN REPLACEMENT (FOR STATIONARY OR ADJUSTABLE FOOT REST)

Required Tools:

5/32" Hex Allen Wrench

7/16" Wrench

Velcro Strip

Replacement Procedure:

1. Pump the litter to full height, lower the Fowler so the Stretcher Chair is flat and apply the brakes.
2. Be sure the foot rest pan is in the flat, stored position and remove the foot rest pad.
3. Using a 5/32" hex Allen wrench and a 7/16" wrench, remove the nylon lock nut, bolt, and washers from both of the foot rest pivots, located underneath the foot section.
4. Lift up and remove the damaged foot rest pan and discard.
5. Install the replacement foot rest pan, lying it flat on the foot section of the litter with the L-brackets from the pan fitting down underneath the litter surface.
6. For stationary foot rest only – align the holes in the foot pan L-brackets with the round pivots on the foot section frame.
7. Reverse step 3 to install the necessary fasteners.
8. Replace foot rest pad and Velcro if necessary
9. Ensure the foot rest pan moves smoothly from the stored position to down and back.

Service Information

DEPENDENT LEG SECTION FRAME REPLACEMENT

Required Tools:

(2) 9/16" Wrenches

3/16" Hex Allen Wrench

1/2" Wrench

Replacement Procedure:

1. Pump the litter to full height, lower the Fowler so the Stretcher Chair is flat and apply brakes.
2. Remove the litter mattress and set aside.
3. Using two 9/16" wrenches, remove the nylon lock nuts, bolts and washers on both of the rigid connecting links at the foot end.
4. Using a 3/16" hex Allen wrench and a 1/2" wrench, remove the nylon lock nuts, bolts and washers for the leg section frame pivot and remove the entire leg section frame.
5. Install the replacement leg section frame, reversing step 4 to reconnect the leg section pivots.
6. Reverse step 2 to reconnect the rigid connecting links to the leg section.
7. If the replacement leg section did not include a new foot rest pan, install the pan from the old leg section following the foot rest pan replacement procedure on page 15.
8. Actuate the Fowler up and down to make sure the foot section follows smoothly.
9. Replace the litter mattress.

STATIONARY PUSH BAR REPLACEMENT

Required Tools:

(2) 9/16" Wrenches

3/16" Hex Allen Wrench

1/2" Wrench

3/32" Hex Allen Wrench

Replacement Procedure:

1. Apply the brakes, raise the litter to full height and raise the Fowler to 90°.
2. Using the 3/32" hex Allen wrench, remove the button head cap screws from the small plastic covers at each end of the push bar. Remove the covers and set them aside.
3. Using the 3/16" hex Allen wrench and the 1/2" wrench, remove the button head screw, nylock nut, and washers on both sides of the push bar. (After the second fastener is removed, the push bar will rotate down and hang freely).
4. Using two 9/16" wrenches, remove the remaining 3/8" bolt, centerlock nut, and washers on both sides of the push bar and remove the push bar.
5. Reverse steps 2–4 to install the replacement push bar and the covers.

Service Information

ADJUSTABLE PUSH BAR REPLACEMENT

Required Tools:

(2) 9/16" Wrenches

(2) 1/8" Hex Allen Wrenches

3/32" Hex Allen Wrench

Replacement Procedure:

1. Apply the brakes, raise the litter to full height and raise the Fowler to 90°.
2. Use the 3/32" hex Allen wrench to remove the button head cap screws from the small plastic covers at the ends of the left side of the push bar. Remove the covers and set them aside.
3. Use the two 9/16" wrenches to remove the centerlock nut from the left side of the adjustable push bar.
4. Use the two 1/8" hex Allen wrenches to remove the button head fasteners from the sides of the red push bar release handle (both the wrenches must be used together to remove the fasteners). It is O.K. to leave one of the fasteners attached to the position locking pin for the push bar – only one of the fasteners must be removed.
5. Support the push bar to keep it from swinging down, and use a 1/8" hex Allen wrench to push out and remove the push bar position locking pin from the center of the red release knob.
6. While still supporting the push bar, slide the red release knob away from the Fowler as far as possible and use a 1/8" hex Allen wrench to push out and remove the 3/8" push bar pivot pin and washers.
7. Remove the 3/8" hex head screw and washers from the left side pivot and pull straight back to remove the adjustable push bar frame.
8. Replace the red release knob on the replacement push bar and slide it back as far as possible, making sure that it is on the side with the through hole and slot – not the side with the two through holes.
9. Insert the compression spring into the end of the push bar on the same side as the red release knob.
10. Place a 1/8" hex Allen wrench through the slot in the top of the right side of the push bar and push back to compress the spring. While the spring is compressed, insert the push bar lock pin through the slot in the right side of the push bar. This will keep the spring compressed to make attaching the push bar pivots easier.
11. Put the replacement push bar up into place and replace the dowel pin and washers on the right side pivot, followed by the hex head bolt and washers on the left side pivot.
12. Position the adjustable push bar to the down position (90° to the Fowler) and allow the lock pin to hold it in place.
13. While supporting the push bar to keep it from swinging down, remove the push bar lock pin.
14. Push the red release knob up and into place ensuring the release label is on the outside of the unit.
15. Use one hand to compress the spring back and out of the way and use the other hand to insert the push bar lock pin through the hole in the side of the red release knob and through the slot in the push bar until it is flush with the other side of the red release knob.
16. Release the compression spring and allow the push bar lock to drop into place.
17. Replace the centerlock nut on the left side pivot and, using two 9/16" wrenches, tighten the nut down so that it still allows free movement of the push bar.
18. Apply Loctite 222 to the button head fasteners for the push bar lock pin and tighten them fully using the two 1/8" hex Allen wrenches.
19. Ensure the push bar rotates freely when released and locks securely in both the upright and down positions.
20. Replace the plastic covers and button head fasteners on the left side of the push bar and tighten using the 3/32" hex Allen wrench.

Service Information

PNEUMATIC FOWLER ADJUSTMENT

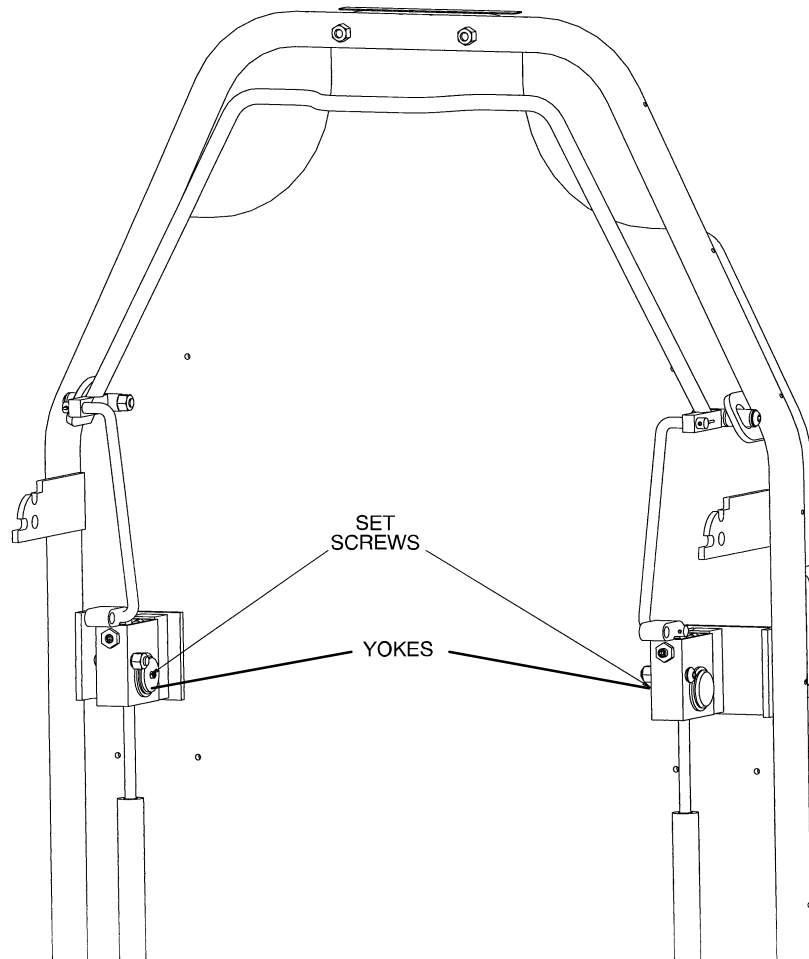
Required Tools:

3/32" Hex Allen Wrench
3/8" Box End Wrench

5/8" Box End Wrench

5/16" Hex Allen Wrench

Adjustment Procedure:



1. Refer to drawing 5050-33-1 (page 46 & 47) for part reference.
2. Apply the Stretcher Chair brakes. For easier access, move Fowler to 70° or higher.
3. Remove the push bar (see page 17 or 16).
4. Using a 3/32" hex Allen wrench and a 3/8" box end wrench, remove the fasteners (item A), nuts (item S) and spacers (item AF) holding the Fowler covers (items AN & AP) located on the under side of the fibersin. Remove the left and right Fowler covers and set aside.
5. Using a 3/32" hex Allen wrench, remove set screws (item Z), located in center of yokes (item AM).
6. Using a 5/8" box end wrench and a 5/16" hex Allen wrench, remove the pivot bolts (item E), flat washers (item L) and hex nuts (item W) holding the gas cylinders (item AK) to the litter frame.

Service Information

PNEUMATIC FOWLER ADJUSTMENT (CONTINUED)

7. To adjust the Fowler, turn the gas spring 1 to 2 turns counterclockwise if the Fowler will not move and 1 to 2 turns clockwise if the Fowler will not hold its position.
8. Replace the pivot bolts (item E) and check the Fowler adjustment. Lower the Fowler approximately 10° to 20°, release the handle and apply weight to the Fowler to assure it will hold its position. If the Fowler will not lower or will not hold its position when weight is applied, repeat step 7.
9. When the Fowler is properly adjusted, replace the washers and hex nuts to secure the pivot bolts.
10. Using thread Loctite, reinstall set screws (item Z).
11. Replace the left and right Fowler covers (items AN & AP) and reinstall the cover fasteners (item A), nuts (item S) and spacers (item AF).
12. Reinstall the push bar assembly following the replacement procedure on page 17 or 16.

INDEPENDENT LEG SECTION CYLINDER ADJUSTMENT

Required Tools:

3/32" Hex Allen Wrench

5/8" Box End Wrench

5/16" Hex Allen Wrench

Adjustment Procedure:

1. Set the brakes, raise litter to full height, put stretcher chair in flat position and put unit in slight Trendelenburg (head down) for access to the cylinder.
2. Refer to drawing 5050-37-1 on pages 54-57 for part reference.
3. Be sure the independent leg section handles are pointed toward the head end of the stretcher chair.
4. Using a 3/32" hex Allen wrench, remove the set screw (item AC), located in the center of the yoke (item S).
5. Using a 5/16" hex Allen wrench and a 5/8" box end wrench, remove the pivot bolts (item AT), washer (item F) and nut (item AB) holding the cylinder to the leg section frame.
6. To adjust the Fowler, turn the gas spring 1 to 2 turns counterclockwise if the leg section will not move when actuated and 1 to 2 turns clockwise if the leg section will not hold its position.
7. Replace the pivot bolt (item AT) and check the leg section actuation. Rotate the handles on the leg section toward the foot end of the stretcher chair and pull outward to move the leg section. When the handle is released, the leg section should hold its position. If the leg section will not move or does not hold its position, repeat step 6.
8. When the leg section is properly adjusted, replace the washer (item F) and the hex nut (item AB) to secure the pivot bolt.
9. Using thread Loctite, reinstall the set screw (item AC).

Service Information

INDEPENDENT LEG LOCKING LINKAGE ADJUSTMENT

Required Tools:

(2) 7/16" Wrenches

Needle-Nosed Pliers

Regular Pliers

1/4" Nut Driver Or Wrench

Adjustment Procedure:

1. Raise litter to full height, put it into dependent mode, put the Fowler all the way down, and set the brakes.
2. Refer to drawings 5050-37-1 on pages 54-57 and 5050-30-9 on page 62 for part reference.
3. Use the 1/4" nut driver to remove the self-tapping screws (item AH on page 56) securing the plastic linkage cover (item BH on page 56) and remove the cover.
4. Ensure the chair is in dependent mode (the red handles on the leg section should be pointing to the head end of the unit).
5. Using two 7/16" wrenches, loosen the cable retainer (item K on page 62) and the hex nut (item E) to allow the cable (item CL or CT, for right or left, on page 54) to move freely.
6. Using the needle-nosed pliers, remove the extension spring (item J on page 62) and be sure the lock weldment rotates freely.
7. If the lock weldment does not move freely, use the two 7/16" wrenches to loosen the bolt (item A on page 62) and the hex nut (item D) until it does.
8. Reconnect the extension spring.
9. Using the pliers, grasp the end of the cable and pull firmly to remove any slack.
10. Using the two 7/16" wrenches, retighten the cable and the hex nut.
11. Rotate the leg section handles to the foot end of the unit, putting it into the independent mode. Actuate one of the handles and move the foot section down about 20°.
12. Using the two 7/16" wrenches, very slightly loosen the cable retainer and the hex nut around the cable.
13. Tap the lock weldment softly with a wrench and move it downward until the lock pin is 1/16" or less above the surface of the inner lock tube (item L on page 62).
14. Carefully retighten the cable retainer and hex nut .
15. Rotate the leg section back toward the head end of the unit (dependent mode) and raise the leg section so that the locking linkages latch in place.
16. While looking at the locking linkage, move the handle from dependent to independent positions and ensure that in dependent mode, the lock pin securely bottoms out into the inner lock tube and that in independent mode, the lock pin is pulled up clear of the inner lock tube.
17. If the lock pin does not fully seat into the inner lock tube in dependent mode or if the lock pin is not pulled clear of the lock tube in independent mode, repeat steps 4 & 5 and steps 9-14.
18. Ensure the inner and outer lock tubes move smoothly with each other and grease the inner lock tube if necessary.
19. Replace the linkage cover and the hex head cap screws.

Service Information

INDEPENDENT LEG SECTION LOCKING LINK REPLACEMENT

Replacement part numbers:

Locking link – 5050–30–9

Required Tools:

3/16" Hex Allen Wrench
(2) 7/16" Wrenches

5/64" Hex Allen Wrench
(2) 9/16" Wrenches

1/2" Wrench
1/4" Nut Driver

Replacement Procedure:

1. Refer to drawings 5050–32–1 on page 58–61, 5050–33–1 on page 46 & 47 and 5050–30–9 on page 62, for part reference.
2. Raise litter to full height, set brakes and place unit in dependent mode with the Fowler all the way down.
3. Using a 1/4" nut driver, remove the self-tapping screws (item AH on page 60) securing the plastic linkage cover (item BH on page 60) and remove the plastic cover.
4. Using a 5/64" hex Allen wrench, remove the set screw (item F on page 62) from the outer tube weldment.
5. Using two 7/16" wrenches, loosen the cable retainer (item K on page 62) and the hex nut (item E on page 62) and pull the cable and cover free from the locking linkage.
6. Using two 9/16" wrenches, remove the hex head bolt (item DL on page 59), washers (item M on page 59) and the hex nut (item Y on page 59) at the foot end of the locking linkage. Let the linkage swing down.
7. Using a 3/16" hex Allen wrench and a 1/2" wrench, remove the button head fastener (item C on page 46), the washers (item M on page 46) and the hex nut (item R on page 46) at the head end of the locking linkage. The entire linkage should come off easily.
8. Starting at the head end of the unit, install the replacement locking linkage being sure that the orientation of the linkage is correct (refer to drawing 5050–32–1 page 59). The cable mount side of the locking linkage should be on the inside of the stretcher chair and the extension spring should be toward the bottom of the linkage.
9. Ensure the lock pin is seated in the inner lock tube before installing.
10. Reverse steps 6 & 7 to install the fastener, washers and hex nut for the head and foot end of the locking linkage.
11. Insert the cable and cover into the cable stop on the top of the outer tube weldment (item M on page 62) and feed the cable through the cable stop and through the hole in the cable retainer (item K on page 62) being sure it passes between the two washers (item B on page 62) on top of the cable retainer. The washers clamp down and secure the cable.
12. Apply Loctite 242 to the end of the 8/32 set screw (item F on page 62) and install the screw into the cable stop on top of the outer tube weldment (item L).
13. After completing this replacement procedure, please follow the adjustment procedure for the locking linkage on page 20.

Service Information

INDEPENDENT LEG SECTION CABLE REPLACEMENT

Required Tools:

5/64" Hex Allen Wrench
(2) 7/16" Wrenches

5/16" Hex Allen Wrench
1/4" Nut Driver

5/8" Box End Wrench

Replacement Procedure:

1. Refer to drawings 5050–32–1 on page 58–61, and 5050–30–9 on page 62 for part references.
2. Raise litter to full height, apply brakes, put unit into dependent mode and lower Fowler completely.
3. Put the unit into independent mode. Be sure that the red handles on the leg section are pointing toward the head end of the stretcher chair.

WARNING

Failing to put the Stretcher Chair into the proper modes as described below could result in the foot cylinder springing free, causing damage to the unit or personal injury.

4. Using a 5/16" hex Allen wrench and a 5/8" box end wrench, remove the bolt (item AT on page 59), washer (item F) and hex nut (item AB) holding the foot cylinder to the frame.
5. Use the 1/4" nut driver to remove the hex head tap screws (item AH on page 60) securing the foot section cover (item BR on page 60) and the locking linkage covers (items BH & BJ). Set all covers aside.
6. Reconnect the foot cylinder to the frame and insert only the hex bolt (item AT on page 59).
7. Put the unit into dependent mode (leg section handles toward the head end).
8. Use the two 7/16" wrenches to loosen the cable retainer (item K on page 62) and the hex nut (item E) on the locking linkage.
9. Remove the worn or damaged cable. Remove it from the cable cover by pulling the ball end of it at the cable pivot (item CY on page 58).
10. Using the 5/64" hex Allen wrench, remove the set screws (item AF on page 58) on both ends of the cable cover and remove the cable cover.
11. Install the replacement cable cover, inserting each end into the respective cable end stop (one on the outer lock tube weldment and one on the leg section frame).
12. Reverse step 10 to install the set screws at the cable stops, applying Loctite to them first. Do not over tighten. This can crush the cable cover and prevent proper cable movement.
13. Insert the replacement cable through the cable pivot on the leg section (item CY on page 58) being sure to feed the cable into the large diameter side of the cable pivot.
14. Grease the end of the cable and continue to feed it through the cable end stop (item BW on page 58) and through the entire cable cover until it comes out at the cable stop on the outer lock tube weldment.
15. Put the unit in the independent mode (leg section handles towards the foot end).
16. Remove the hex bolt holding the foot cylinder to the frame and replace the foot section cover.
17. Use the 1/4" nut driver to replace the hex head tap screws to secure the foot section cover to the frame.
18. Reverse step 4 to reconnect the hex bolt, washer and hex nut to secure the foot section cylinder to the frame.
19. Connect and set the adjustment on the cable following the adjustment procedure outlined on page 20.
20. Replace the locking linkage cover and secure it using the 1/4" nut driver and the hex head tap screws.

Service Information

INDEPENDENT LEG SECTION HANDLE ADJUSTMENT

Required Tools:

5/64" Hex Allen Wrench

1/4" Wrench

Adjustment Procedure:

1. Refer to drawing 5050-32-1 on page 58-61 for part reference.
1. Raise the litter to full height, apply the brakes and raise the leg section fully to the horizontal position.
2. Rotate the red independent leg section handles so that they point down toward the floor.
3. Use a 5/64" hex Allen wrench and a 1/4" wrench to loosen or tighten the fastener (item BE on page 58) and hex nut (item Z on page 58) as needed. The handle should be just loose enough to allow for actuation of the pneumatic cylinder and proper spring return of the handle when released.
4. When the handle has been properly adjusted, return the unit to either the dependent or independent mode (handles pointing toward head end or toward the foot end).

MATTRESS MAINTENANCE

1. Stretcher Chair mattresses should be routinely checked to ensure they are free of cracks or tears in the covers and that the Velcro on the mattress as well as the litter is in good condition.
2. When removing the litter mattress for maintenance, always remove it starting at the head end and pulling to the foot end. When the Velcro is loose, pull the mattress back toward the head end to remove it from the foot end slide guides mounted to the leg section frame.
3. When installing the mattress perform step 2 in reverse.
4. If any of the litter Velcro needs to be replaced, remove the damaged Velcro from the litter and replace it with part number 381-24-7 cut to length.

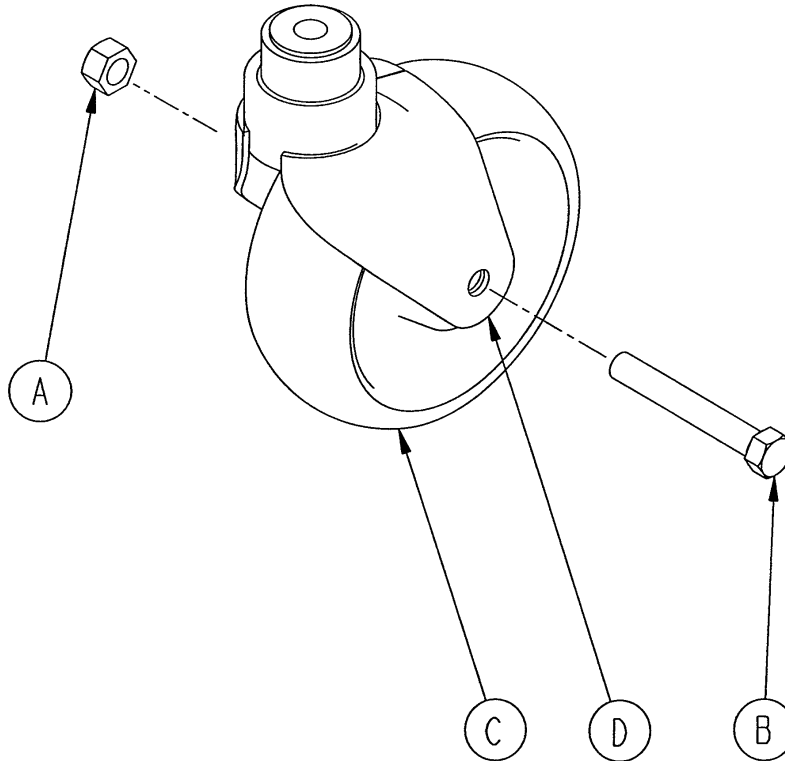
Service Information

CASTER MAINTENANCE

Required Tools:

5/8" Wrench
11/16" Wrench

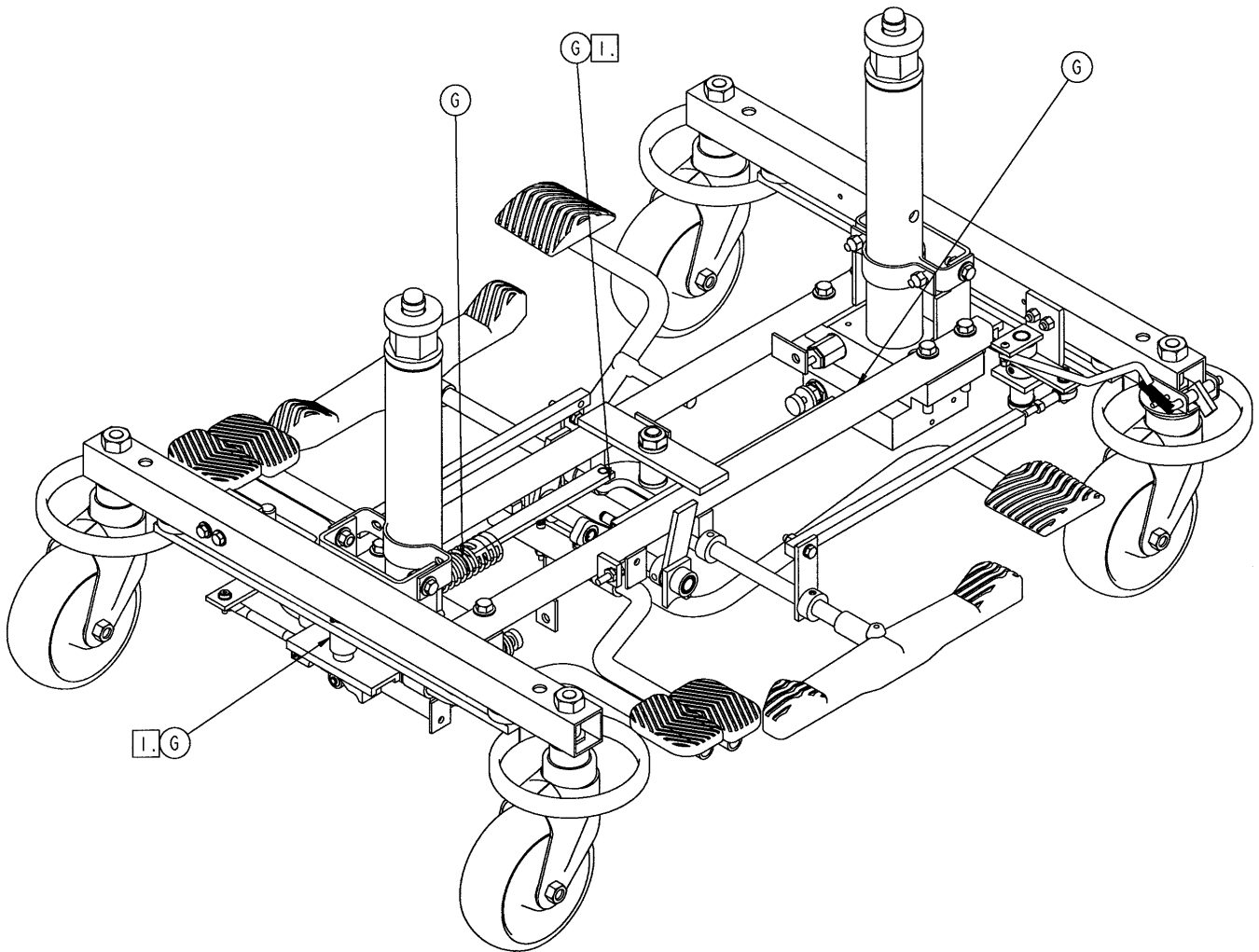
MAINTENANCE PROCEDURE



1. Using the 5/8" wrench and the 11/16" wrench, remove the centerlock nut (item A) from the through bolt (item B) for the caster wheel.
2. Support the corner of the Stretcher Chair where the wheel is being removed and remove the through bolt (item B) and the molded wheel (item C) .
3. Clean the through bolt, molded wheel, and the inside of the caster horn (item D) removing any dirt and debris. Ensure the bearings in the molded wheel spin freely and easily.
4. Replace the molded wheel and the through bolt.
5. Replace the centerlock nut on the through bolt and use the 5/8" and 11/16" wrenches to tighten it securely.

Service Information

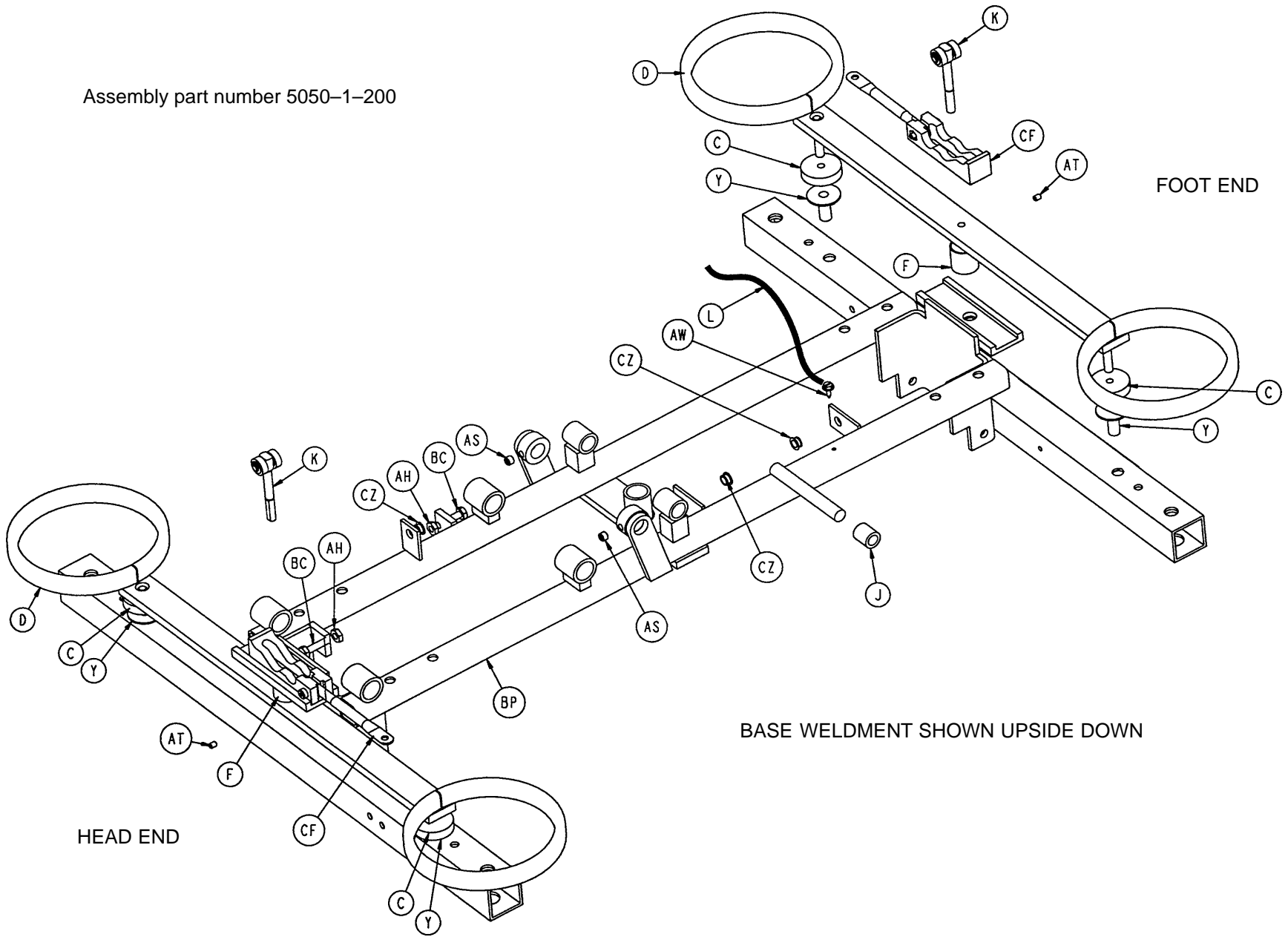
BASE LUBRICATION POINTS

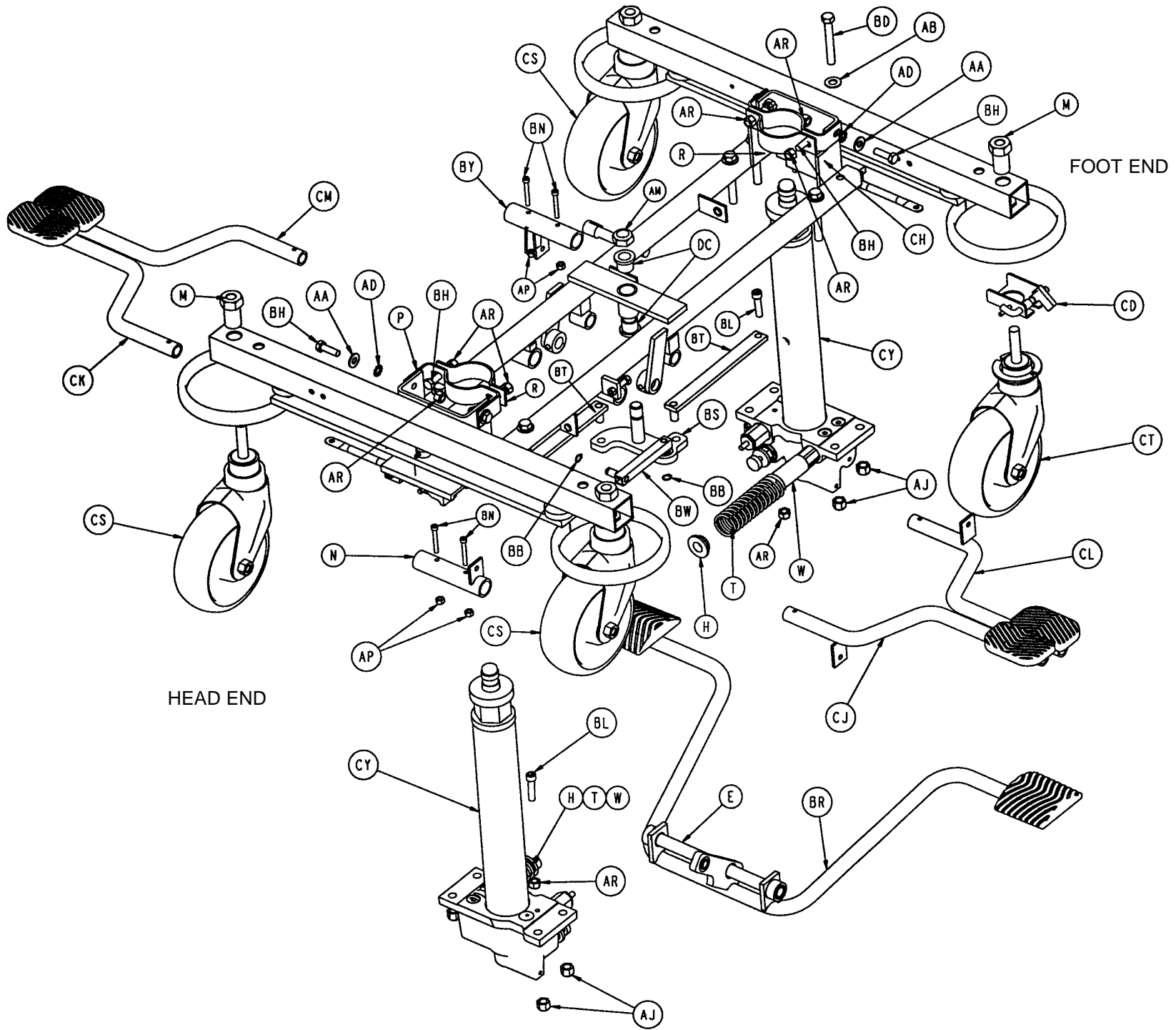


Ⓔ Grease areas as shown.

1 Grease two places.

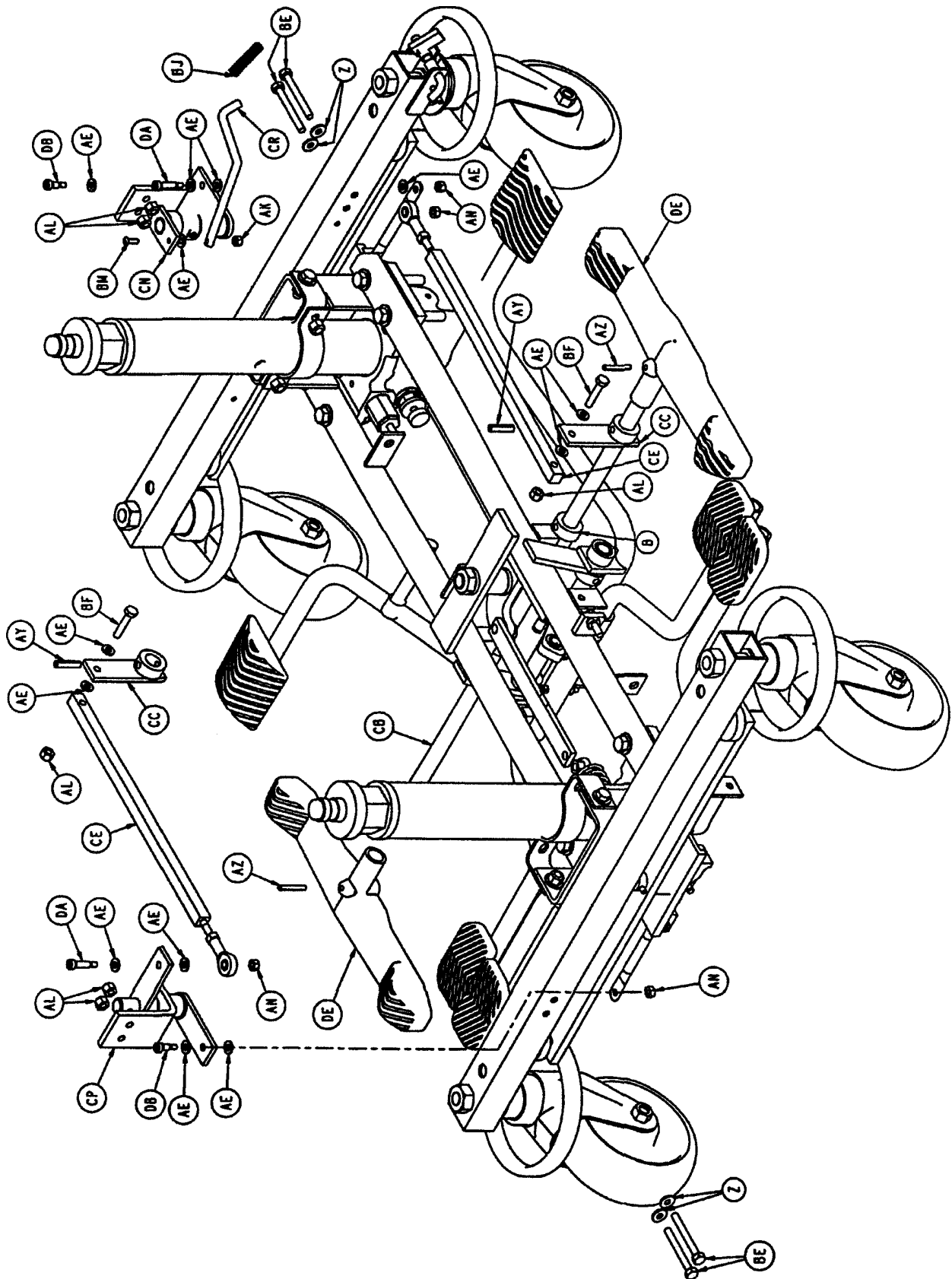
Assembly part number 5050-1-200



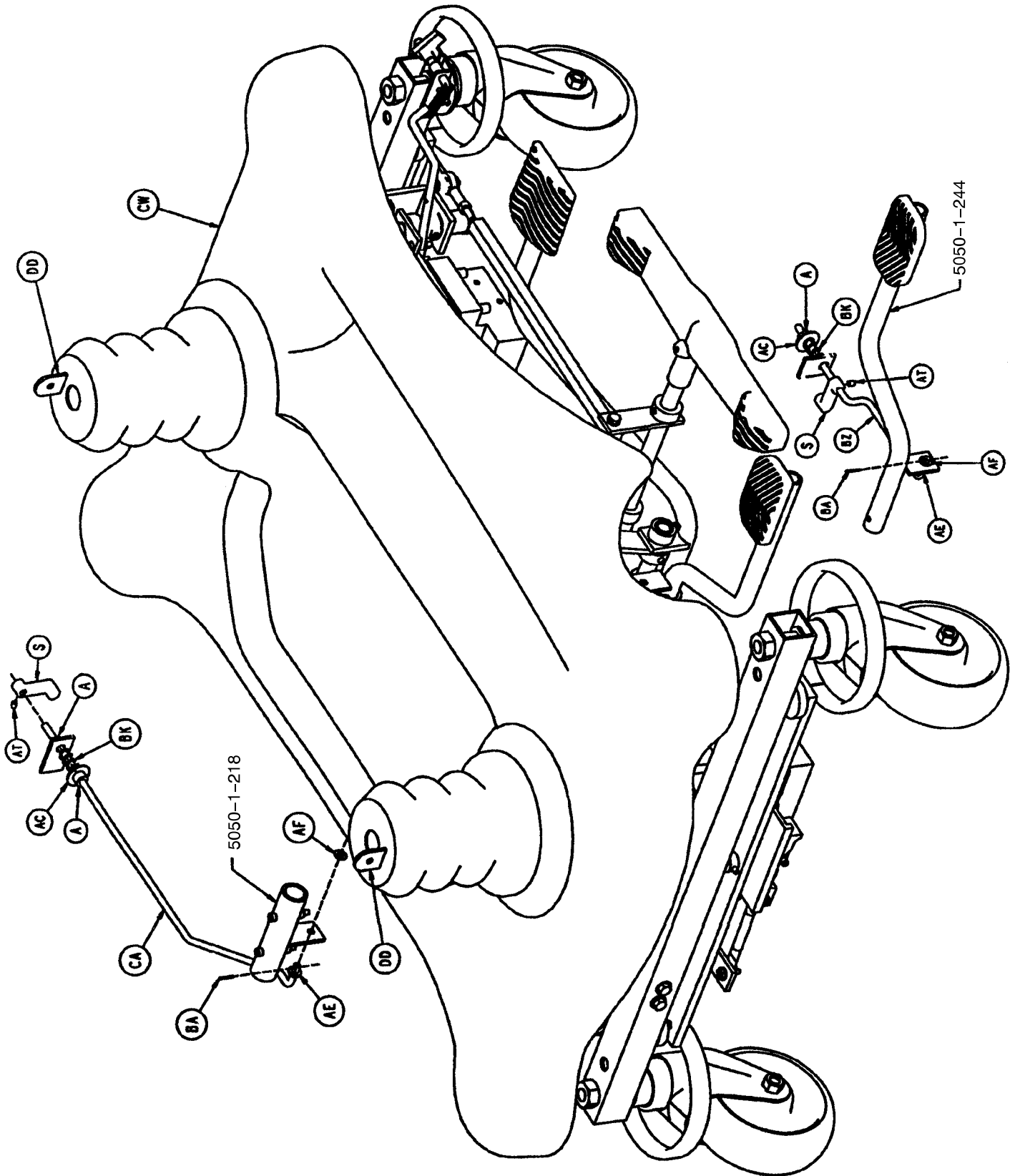


Base Assembly

Base Assembly



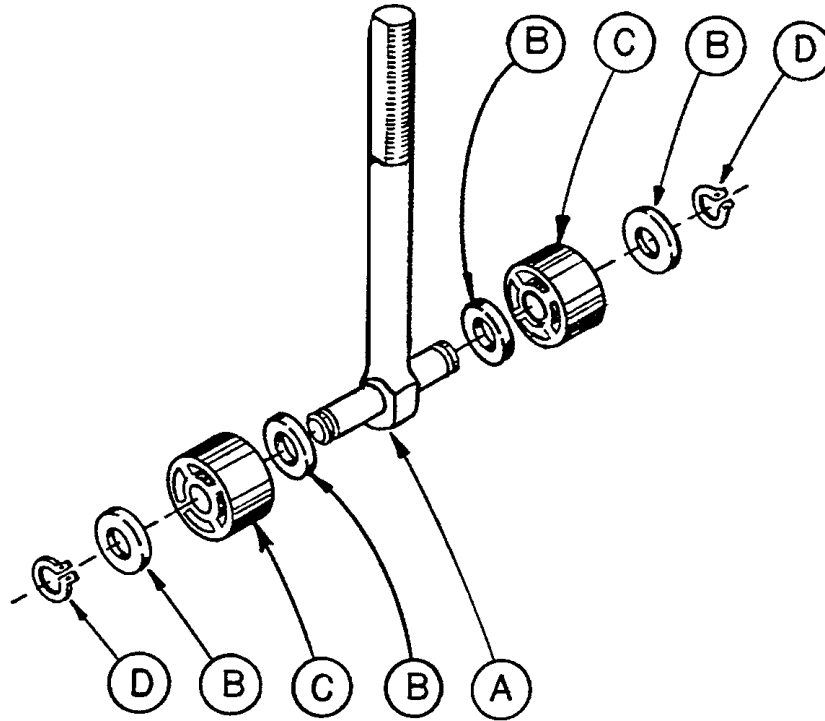
Base Assembly



Base Assembly

Item	Part No.	Part Name	Qty.	Item	Part No.	Part Name	Qty.
A	42-13	Collar	3	BD	3-39	Hex Hd. Cap Screw	8
B	42-20	Collar	1	BE	3-32	Hex Hd. Cap Screw	4
C	715-1-11	Brake Cushion	4	BF	3-4	Hex Hd. Cap Screw	2
D	715-1-61	Caster Brake Ass'y	2	BH	3-85	Hex Hd. Cap Screw	8
E	715-1-92	Pump Pedal Shaft	1	BJ	38-211	Compression Spring	1
F	715-1-94	Compression Spring	2	BK	38-234	Compression Spring	2
H	715-1-133	Jack Spring Collar	2	BL	4-39	H. Soc. But. Hd. Cap Scr.	2
J	715-1-140	Vinyl Tube	1	BM	4-300	H. Soc. But. Hd. Cap Scr.	1
K	(page 31)	Brake Adjuster	2	BN	4-85	Soc. Hd. Cap Screw	4
L	715-1-156	Ground Chain	1	BP	5050-1-10	Base Weldment	1
M	715-1-158	Caster Nut	4	BR	(page 33)	Pump Pedal Ass'y	1
N	715-1-187	Rel. Pedal Sleeve Weldmt.	1	BS	5050-1-90	Pump Pivot Ass'y	1
P	715-1-192	Jack Support	1	BT	5050-1-100	Pump Link Weldment	2
R	715-1-193	Jack Support Clamp	2	BW	5050-1-110	Pump Tube Weldment	1
S	715-1-346	Release Paddle	2	BY	5050-1-218	Rel. Sleeve Wldmt., Ft.	1
T	763-1-15	Jack Spring	2	BZ	5050-1-222	Linkage Rod, Head End	1
W	763-1-16	Spring Holder	2	CA	5050-1-223	Release Linkage, Ft. End	1
Y	946-1-116	Brake Bar Bushing	4	CB	5050-1-227	Brake Rod	1
Z	11-2	Washer	4	CC	5050-1-229	Brake Actuator Weldmt.	2
AA	11-3	Washer	4	CD	5050-1-230	Latch Assembly	1
AB	11-4	Washer	8	CE	(page 32)	Brake Drive Link Ass'y	2
AC	11-53	Washer	2	CF	(page 32)	Brake Cam Assembly	2
AD	13-38	Ext. Tooth Lock Washer	4	CH	5050-1-235	Jack Support Clamp	1
AE	14-2	Nylon Washer	15	CJ	(page 34)	Rel. Pedal, Hd. End, Rt.	1
AF	14-4	Nylon Washer	2	CK	(page 34)	Rel. Pedal, Hd. End, Lt.	1
AH	15-11	Hex Jam Nut	2	CL	(page 35)	Rel. Pedal, Ft. End, Rt.	1
AJ	16-12	Nylock Hex Nut	8	CM	(page 35)	Rel. Pedal, Ft. End, Lt.	1
AK	16-14	Dynalock Nut	1	CN	(page 36)	Brake Actuator, Foot	1
AL	16-16	Nylock Hex Nut	6	CP	(page 37)	Brake Actuator, Head	1
AM	16-19	Elastic Stop Nut	1	CR	5050-1-270	Steer Lock Linkage	1
AN	16-2	Fiberlock Nut	4	CS	(page 38)	Caster Wheel Ass'y	3
AP	16-3	Fiberlock Nut	4	CT	(page 39)	Steer Caster Wheel Ass'y	1
AR	16-36	Nylock Hex Nut	10	CW	(page 43)	Base Hood & Label Ass'y	1
AS	21-22	Set Screw	2	CY	(page 41)	Jack Assembly	2
AT	21-50	Set Screw	4	CZ	52-245	Nyliner	3
AW	23-25	Hex Wash. Hd. Tap. Screw	1	DA	8-20	Soc. Hd. Shoulder Bolt	2
AY	26-13	Roll Pin	2	DB	8-7	Soc. Hd. Shoulder Bolt	2
AZ	26-261	Groove Pin	2	DC	81-245	Flange Bearing	2
BA	27-4	Cotter Pin	2	DD	715-1-134	Bellows	2
BB	27-7	Cotter Pin	2	DE	1210-201-201	Brake/Steer Pedal	2
BC	3-3	Hex Hd. Cap Screw	2	DF	11-262	Washer	4
				DH	11-4	Washer	2

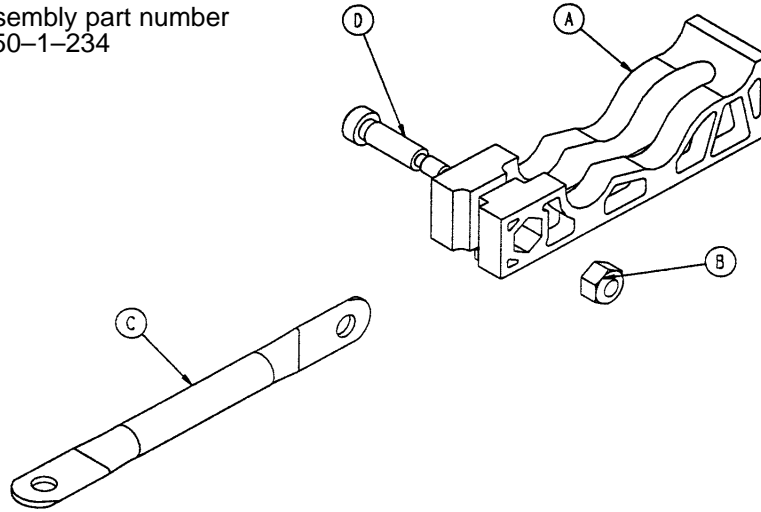
715-1-150 Brake Adjuster Assembly



Item	Part No.	Part Name	Qty.
A	715-1-62	Threaded Stud Assembly	1
B	14-4	Nylon Washer	4
C	715-1-180	Bearing	2
D	28-8	Retaining Ring	2

Brake Cam Assembly

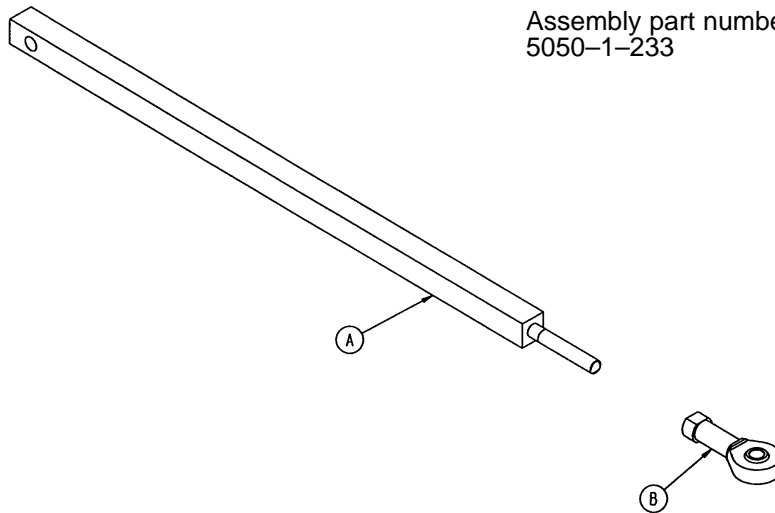
Assembly part number
5050-1-234



Item	Part No.	Part Name	Qty.
A	715-301-221	Brake Cam	1
B	16-59	Hex Nut	1
C	5050-1-228	Brake Cam Link	1
D	8-21	Socket Hd. Shoulder Bolt	1

Brake Drive Link Assembly

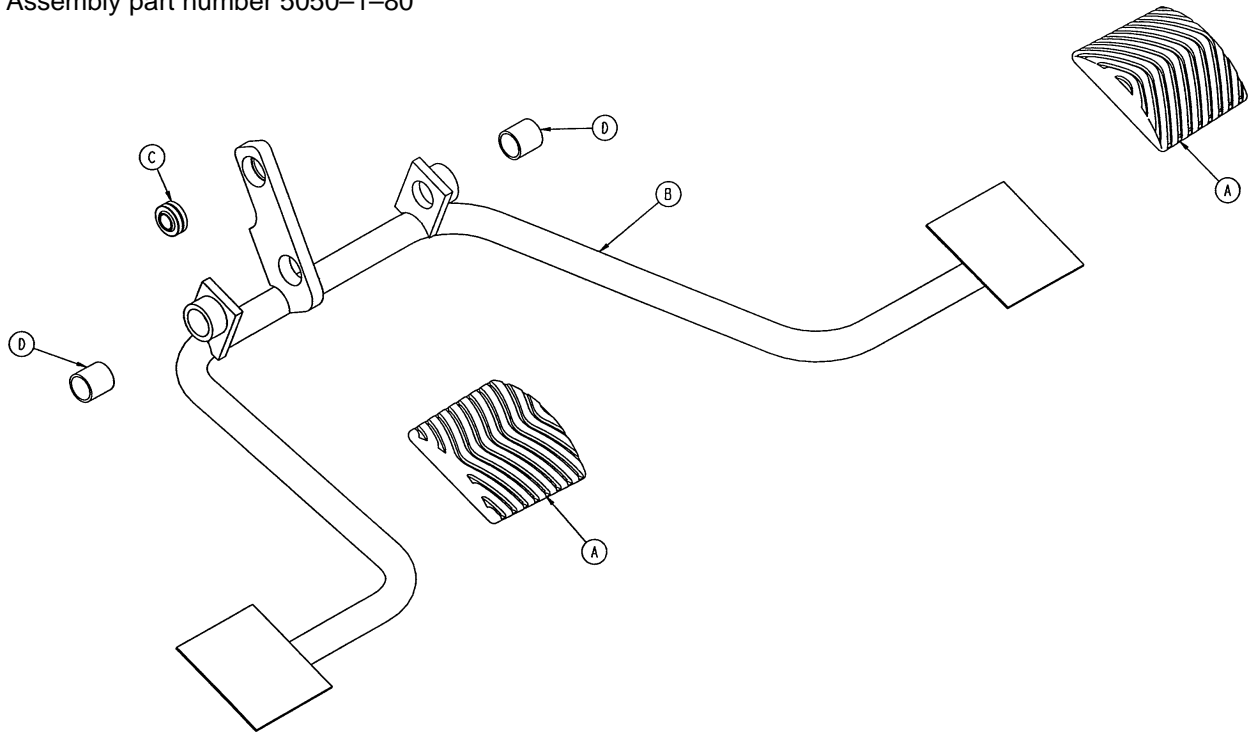
Assembly part number
5050-1-233



Item	Part No.	Part Name	Qty.
A	5050-1-226	Brake Drive Link	1
B	5050-1-232	Rod End Bearing	1

Pump Pedal Assembly

Assembly part number 5050-1-80



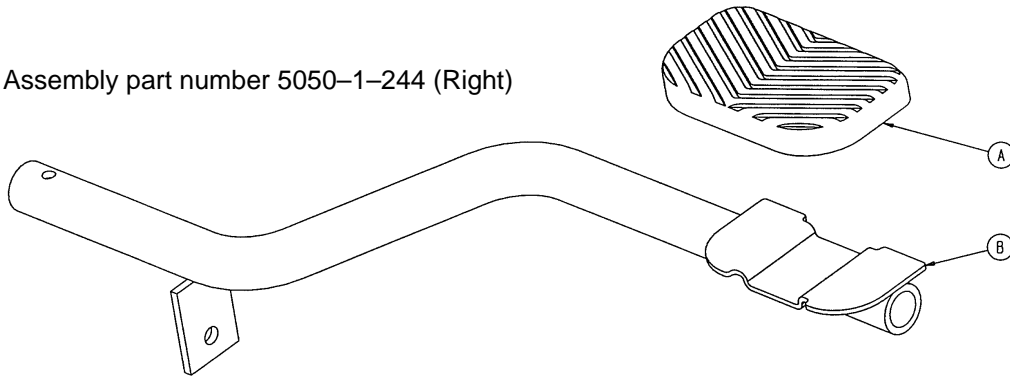
Item	Part No.	Part Name	Qty.
A	715-1-126	Pedal Pad	2
B	5050-1-82	Pump Pedal Weldment	1
C	5050-1-93	Spherical Bearing	1
D	81-44	Bearing	2

NOTE

Apply plastic adhesive to the mating surfaces of item A prior to assembly.

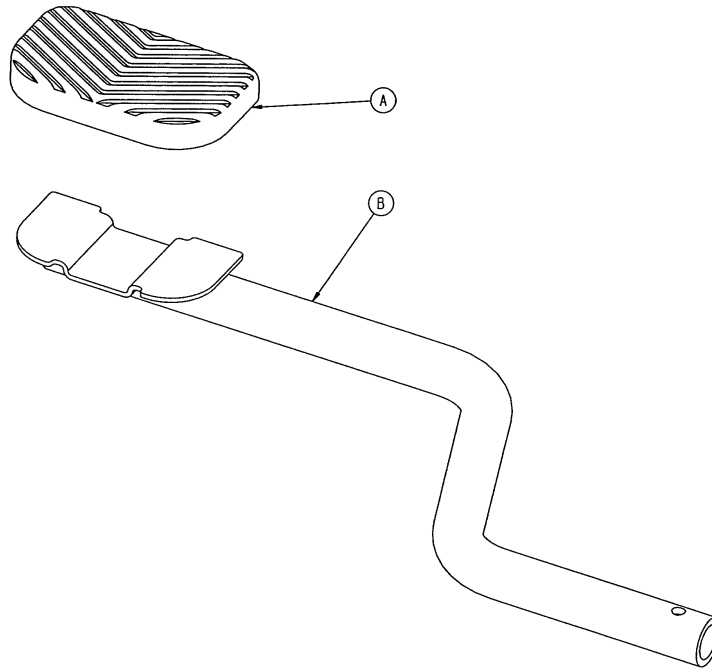
Release Pedal Assembly, Head End, Right & Left

Assembly part number 5050-1-244 (Right)



Item	Part No.	Part Name	Qty.
A	721-40-25	Rubber Pedal	1
B	5050-1-220	Release Pedal, Head, Right	1

Assembly part number 5050-1-245 (Left)

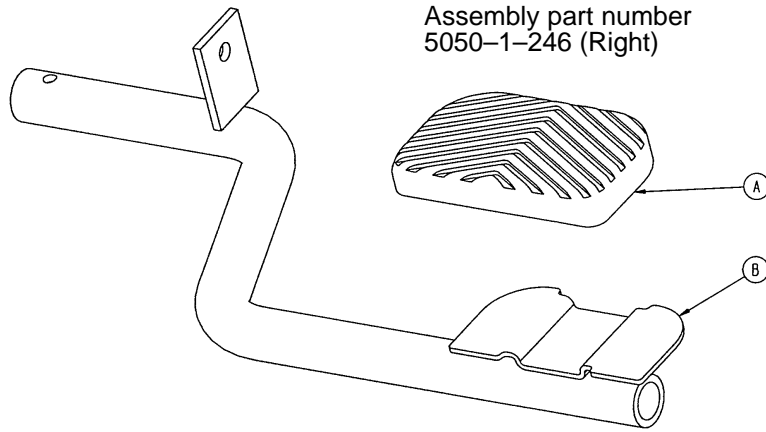


Item	Part No.	Part Name	Qty.
A	721-40-25	Rubber Pedal	1
B	5050-1-211	Release Pedal, Head, Left	1

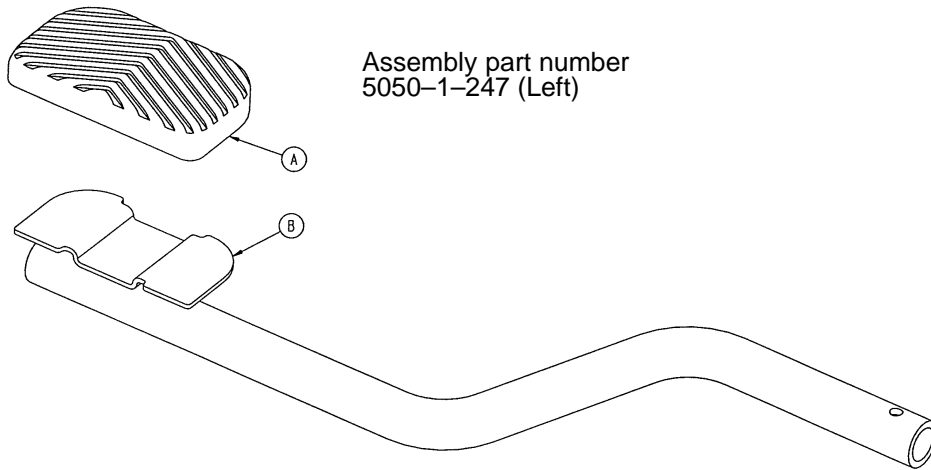
NOTE

Apply plastic adhesive to the mating surfaces of item A prior to assembly.

Release Pedal Assembly, Foot End, Right & Left



Item	Part No.	Part Name	Qty.
A	721-40-25	Rubber Pedal	1
B	5050-1-208	Release Pedal, Foot, Right	1



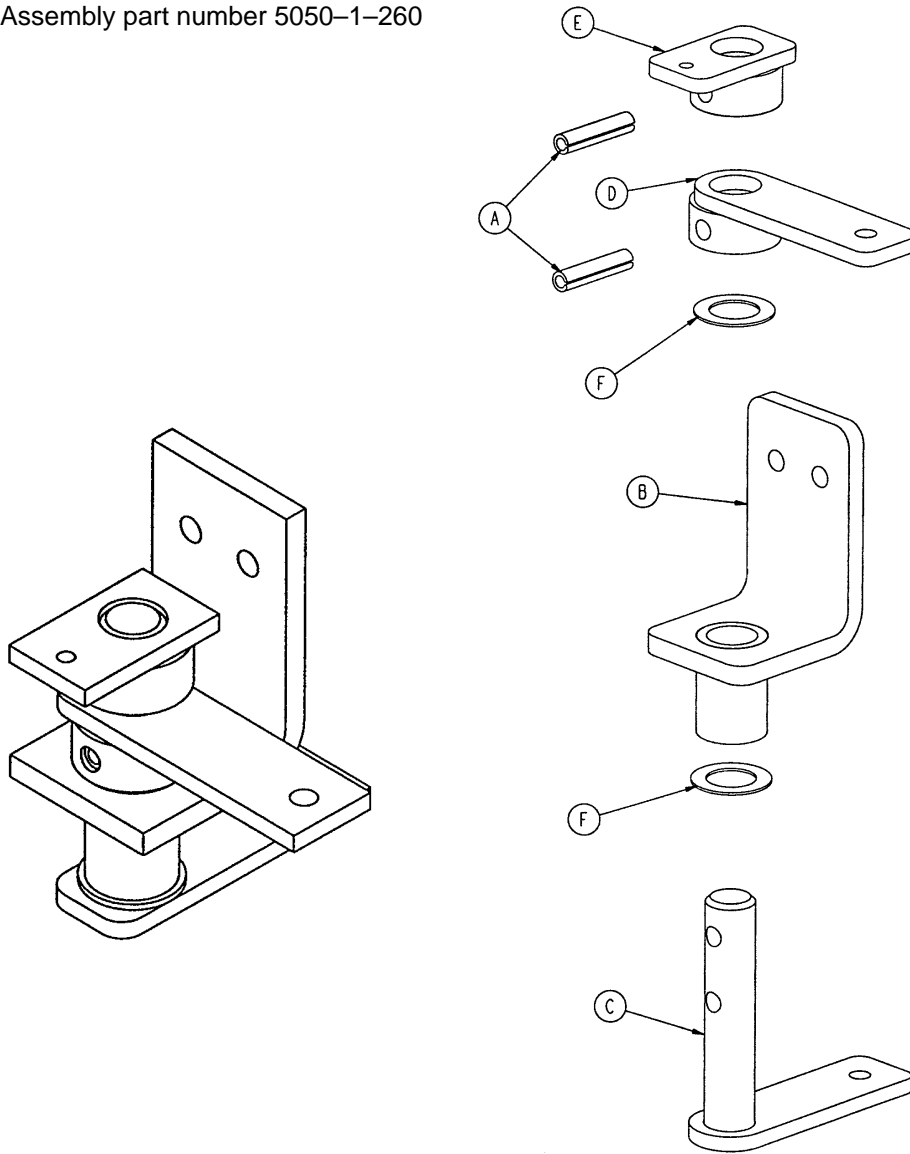
Item	Part No.	Part Name	Qty.
A	721-40-25	Rubber Pedal	1
B	5050-1-210	Release Pedal, Foot, Left	1

NOTE

Apply plastic adhesive to the mating surfaces of item A prior to assembly.

Foot End Brake Actuator Assembly

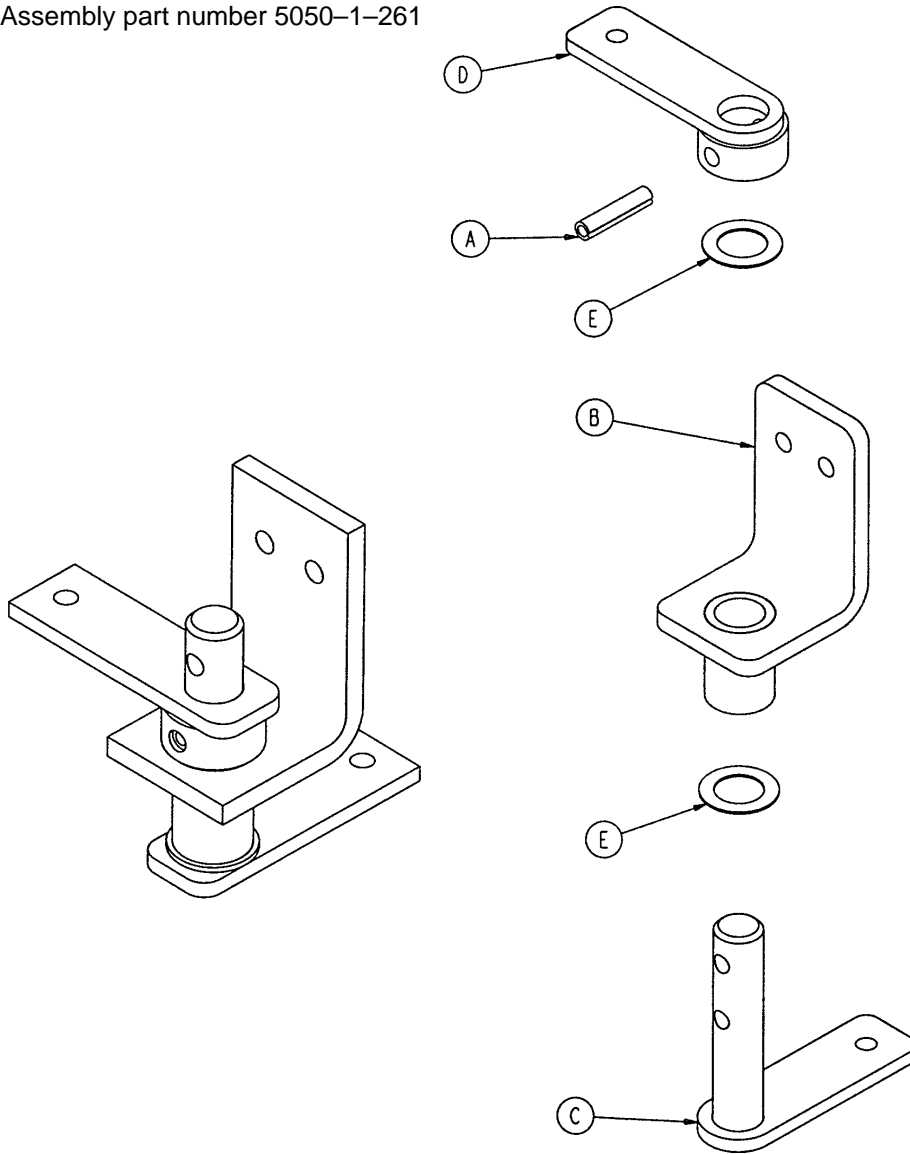
Assembly part number 5050-1-260



Item	Part No.	Part Name	Qty.
A	26-13	Spring Pin	2
B	5050-1-13	Brake Pivot Weldment	1
C	5050-1-14	Actuator Weldment	1
D	5050-1-265	Actuator Arm	1
E	5050-1-280	Steerlock Arm Weldment	1
F	81-246	Nylon Thrust Bearing	2

Head End Brake Actuator Assembly

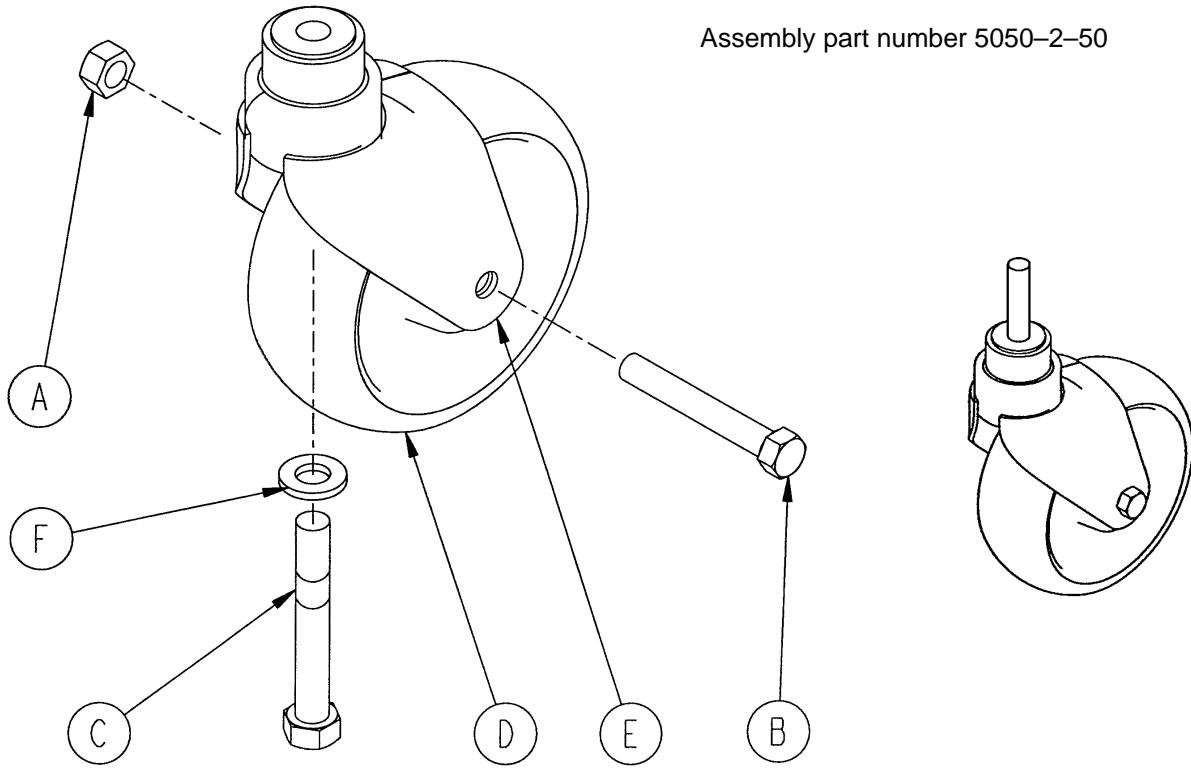
Assembly part number 5050-1-261



Item	Part No.	Part Name	Qty.
A	26-13	Spring Pin	1
B	5050-1-13	Brake Pivot Weldment	1
C	5050-1-14	Actuator Weldment	1
D	5050-1-265	Actuator Arm	1
E	81-246	Thrust Bearing	2

Caster Wheel Assembly

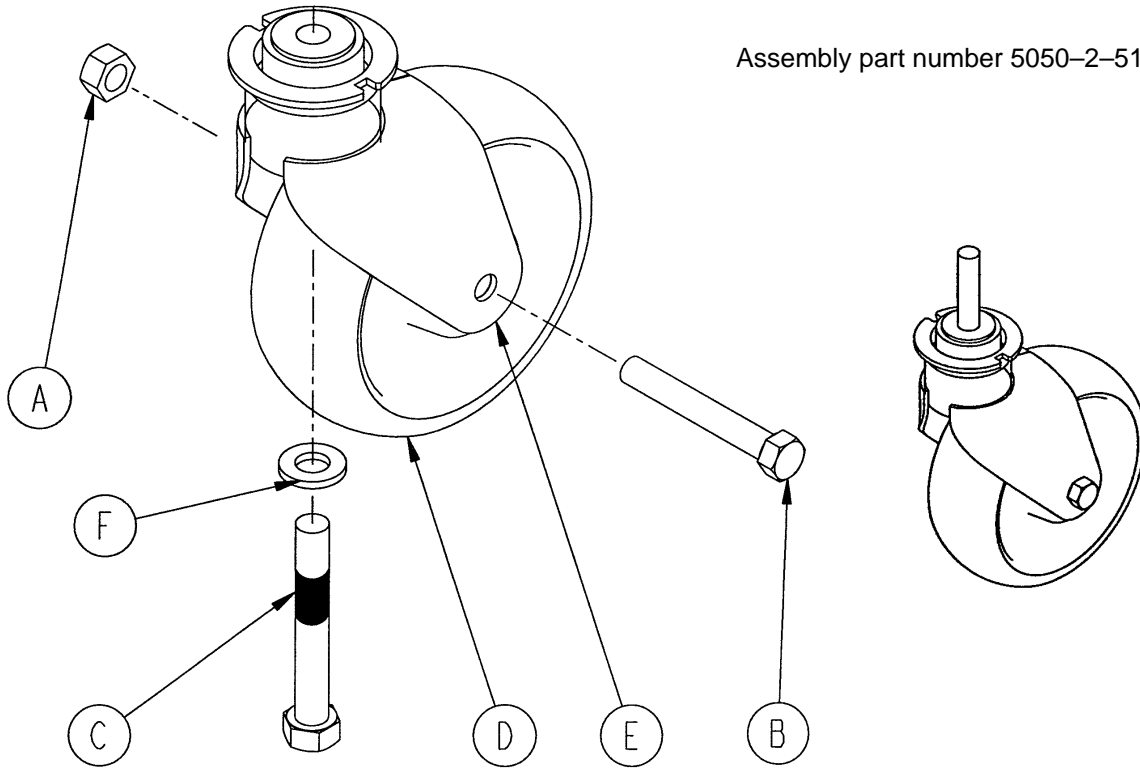
Assembly part number 5050-2-50



Item	Part No.	Part Name	Qty.
A	16-60	Hex Nut	1
B	3-205	Hex Cap Screw	1
C	715-3-96	Hex Cap Screw	1
D	(page 40)	Molded Wheel Assembly	1
E	5050-2-30	Caster Horn Assembly	1
F	11-310	Flat Washer	1

Steer Caster Wheel Assembly

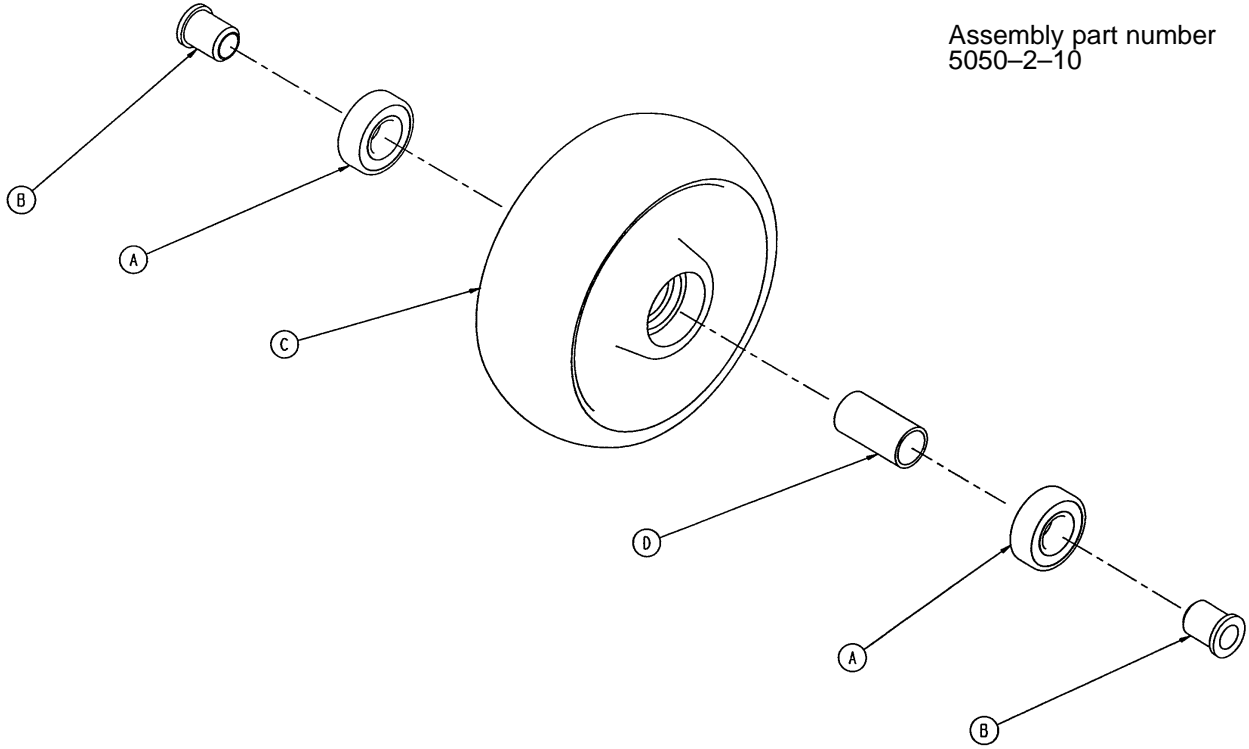
Assembly part number 5050-2-51



Item	Part Number	Part Name	Qty.
A	16-60	Hex Nut	1
B	3-205	Hex Cap Screw	1
C	715-3-96	Hex Cap Screw	1
D	(page 40)	Molded Wheel Assembly	1
E	5050-2-31	Caster Horn Assembly	1
F	11-310	Flat Washer	1

Molded Wheel Assembly

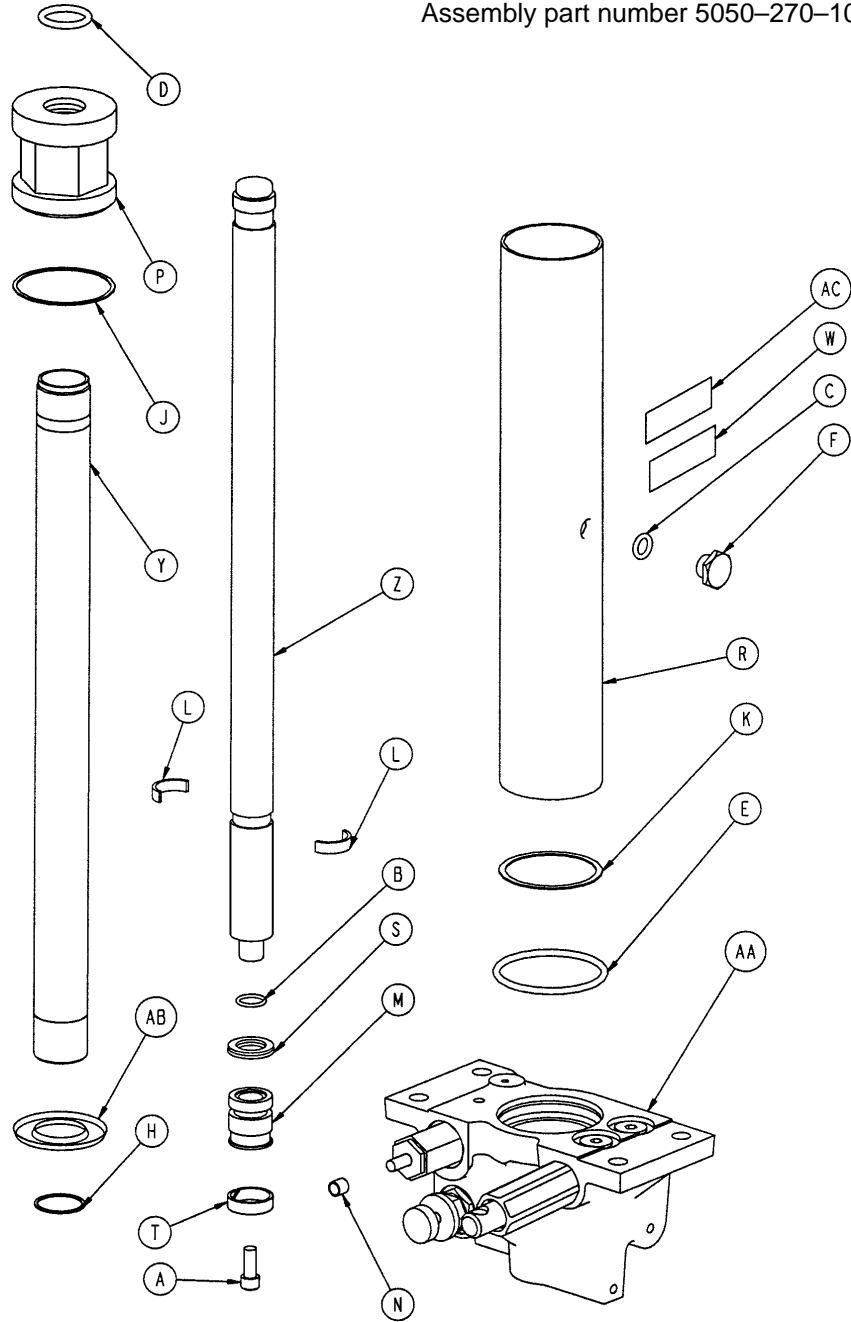
Assembly part number
5050-2-10



Item	Part No.	Part Name	Qty.
A	81-226	Bearing	2
B	715-1-255	Wheel Bushing	2
C	5050-2-20	Molded Wheel	1
D	6060-2-41	Bearing Spacer	1

Jack Assembly

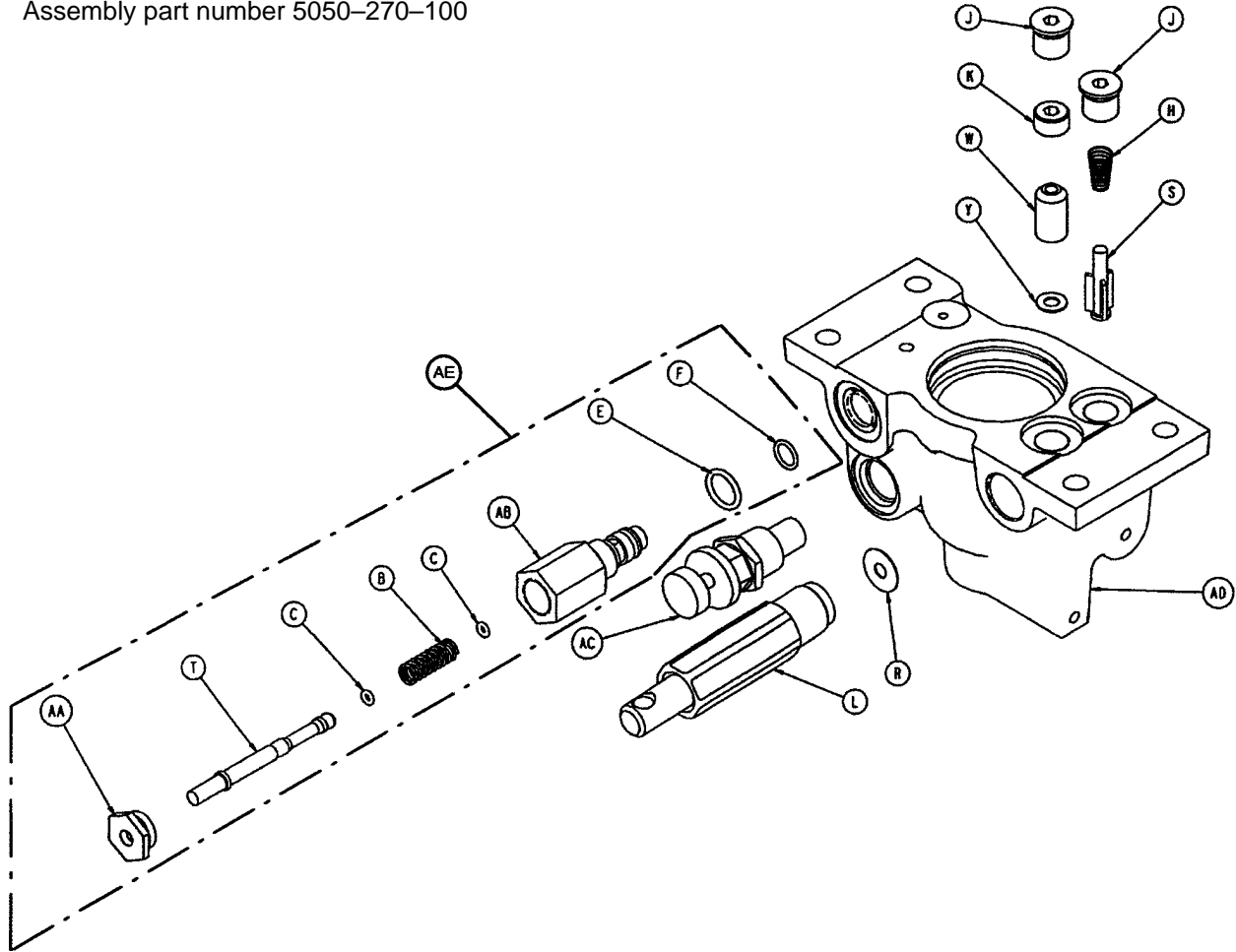
Assembly part number 5050-270-10



Item	Part No.	Part Name	Qty.	Item	Part No.	Part Name	Qty.
A	4-14	Socket Hd. Cap Screw	1	N	715-1-333	Rel. Rod Stop Sleeve	1
B	45-14	O-Ring	1	P	715-1-340	Jack Cap Assembly	1
C	45-110	O-Ring	1	R	715-1-422	Reservoir	1
D	45-904	O-Ring	1	S	926-20-161	Parker Packing	1
E	45-978	O-Ring	1	T	926-20-162	Wear Ring	1
F	388-1-38	Plug	1	W	5050-90-17	Jack Label	1
H	390-1-238	Actuator Gasket	1	Y	5050-270-20	Actuator Cylinder	1
J	390-1-243	Gasket	1	Z	5050-270-30	Actuator	1
K	390-1-244	Base Gasket	1	AA	(page 42)	Jack Base Assembly	1
L	390-2-139	Retaining Ring	2	AB	715-1-320	Jack Screen	1
M	715-1-331	Piston End	1	AC	921-1-252	Serial Number Label	1

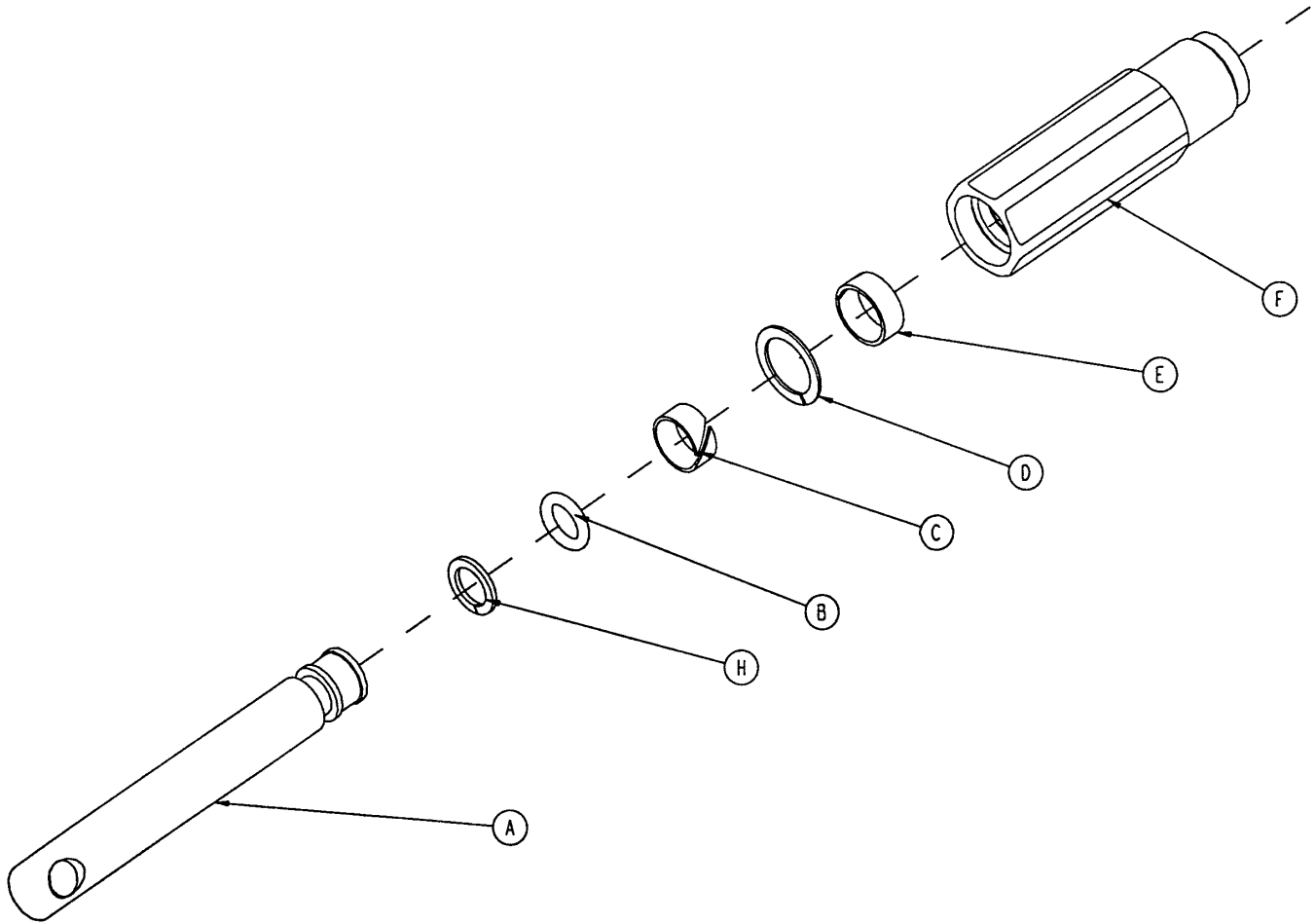
Jack Base Assembly

Assembly part number 5050-270-100



Item	Part No.	Part Name	Qty.	Item	Part No.	Part Name	Qty.
B	38-311	Compression Spring	1	S	715-1-341	Poppet	1
C	45-6	O-Ring	2	T	715-270-1	Pin	1
E	45-966	O-Ring	1	W	926-20-153	Check Valve	1
F	45-967	O-Ring	1	Y	926-20-154	Seal	1
H	390-2-134	Conical Comp. Spring	1	AA	1210-70-13	Base Plug	1
J	48-147	Base Plug	2	AB	2025-75-87	Pin Housing	1
K	715-1-309	Valve Plug	1	AC	5050-70-50	Adj. P.C. Valve Cartridge	1
L	(page 42.1)	Pump Piston Assembly	1	AD	5050-370-110	Jack Base	1
R	715-1-329	Pump Seal	1	AE	715-270-100	Relief Valve Assembly	1

715-100-325 Jack Pump Piston Assembly

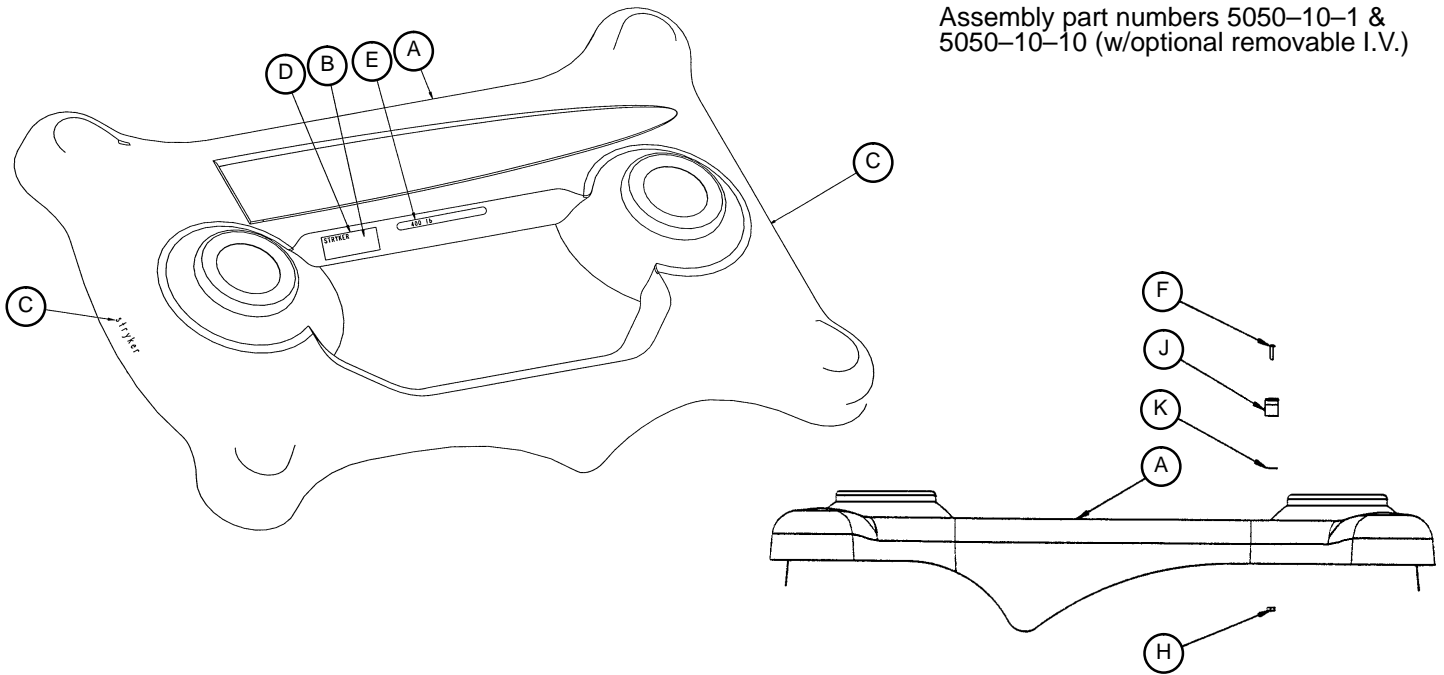


Item	Part No.	Part Name	Qty.
A	715-201-318	Pump Piston	1
B	45-110	O-Ring	1
C	715-1-328	Piston Wear Ring	1
D	14-50	Bearing Retainer	1
E	715-201-327	Cylinder Wear Ring	1
F	715-1-316	Pump Cylinder	1
H	715-1-400	O-Ring Back Up	1

Notes

Base Hood/Label Assembly

Assembly part numbers 5050-10-1 & 5050-10-10 (w/optional removable I.V.)



Item	Part No.	Part Name	Qty.
A	5050-10-2	Base Hood	1
B	921-1-252	Serial Number Label	1
C	946-1-60	Stryker Logo Label	2
D	5050-90-1	Specification Label	1
E	5050-90-15	Weight Capacity Label	1
F	4-57	Soc. Hd. Cap Screw	2
H	16-27	Kep Nut	2
J	946-1-108	I.V. Clip	2
K	946-1-109	Adhesive Pad	2

400 lb. MAXIMUM LOAD CAPACITY.

p/n 5050-90-15 – located on the base hood.

WARNING: DO NOT STAND ON FOOT REST.

p/n 5050-90-7 – located on the foot section.

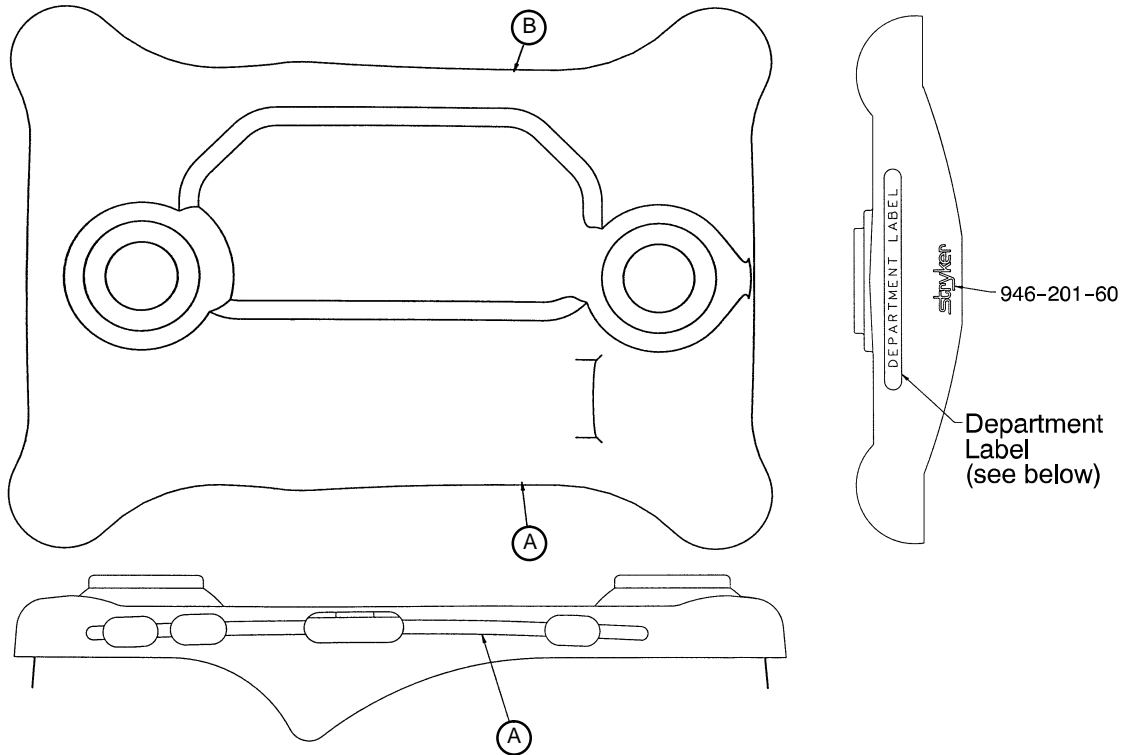
WARNING: DO NOT SIT ON END (TIPPING MAY OCCUR) KEEP IN THE CHAIR POSITION WHEN NOT IN USE.

p/n 5050-90-6 – located on both head and foot sections.

These three labels are critical to the safe operation of the Stretcher Chair. If they are not present and in good condition, they must be replaced.

Base Hood Graphics

Assembly part numbers 5050-700-10 through 5050-700-70

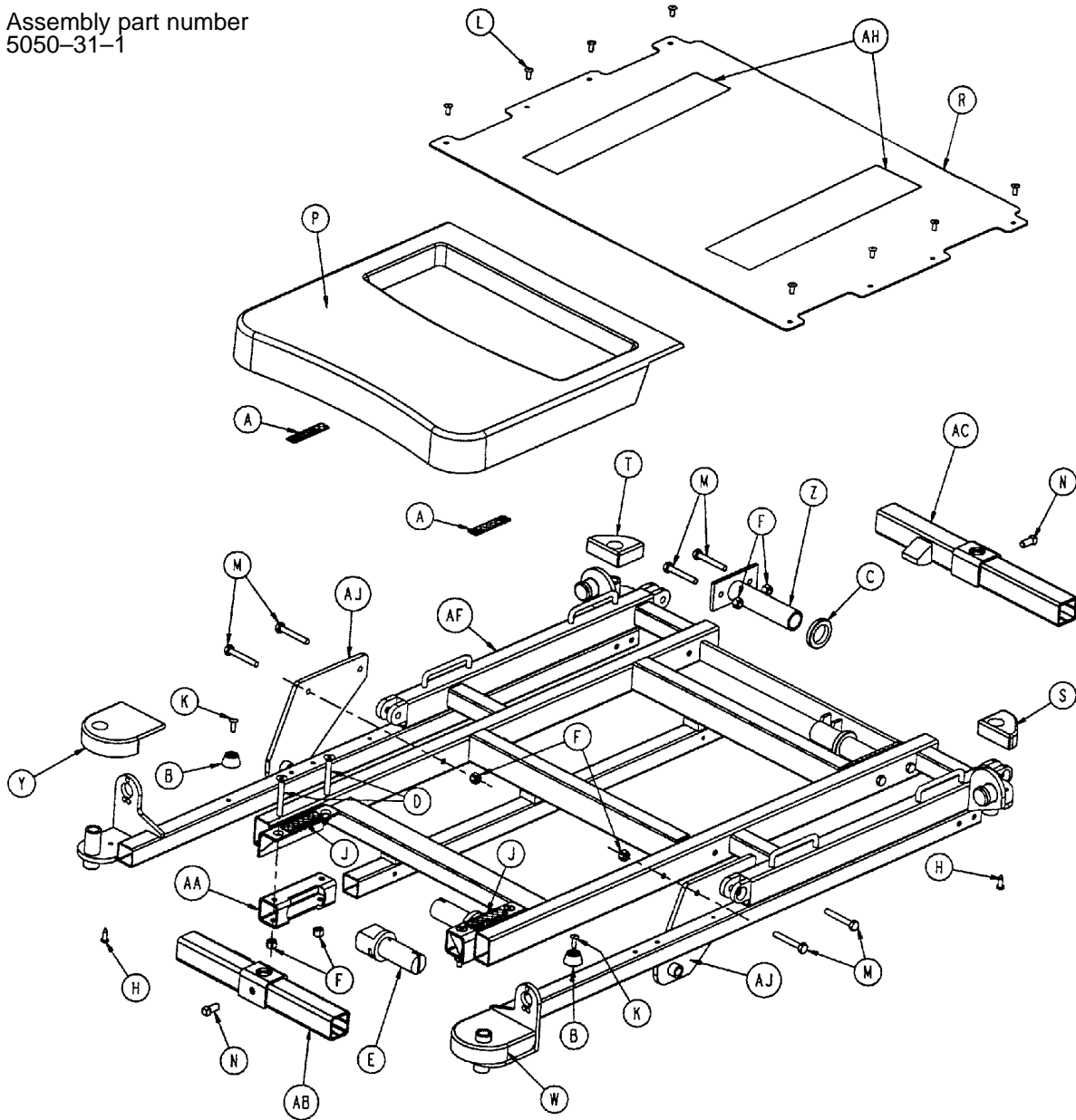


Color	Item A Control Label, Rt.	Item B Control Label, Lt.	Head End Bumper	Foot End Bumper
Red	5050-700-11	5050-700-12	5050-700-13	5050-700-14
Purple	5050-700-21	5050-700-22	5050-700-23	5050-700-24
Green	5050-700-31	5050-700-32	5050-700-33	5050-700-34
Gray	5050-700-41	5050-700-42	5050-700-43	5050-700-44
Teal	5050-700-51	5050-700-52	5050-700-53	5050-700-54
Pink	5050-700-61	5050-700-62	5050-700-63	5050-700-64
Blue	5050-700-71	5050-700-72	5050-700-73	5050-700-74

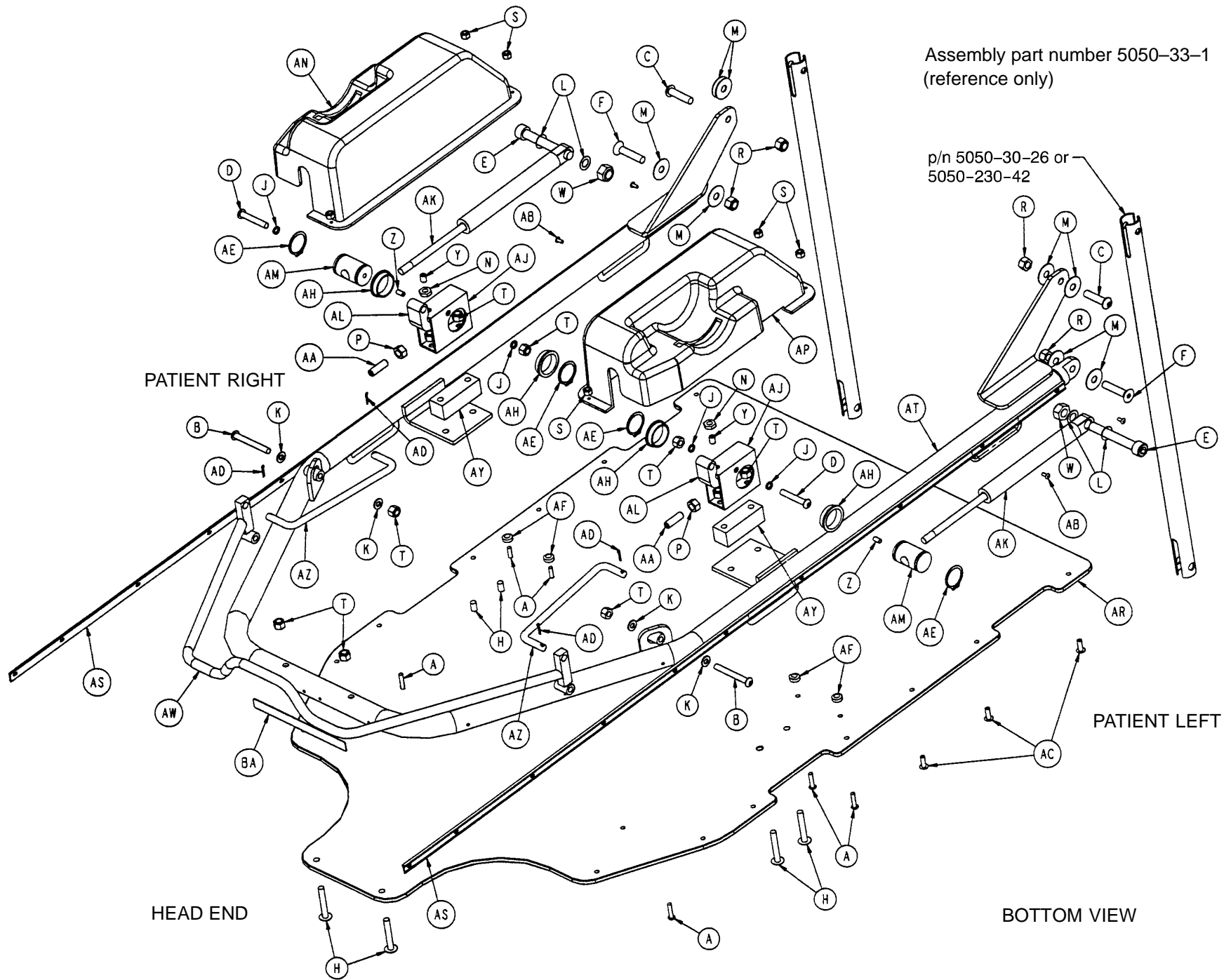
Department	Label Part Number	Department	Label Part Number
Emergency	1010-900-215	Radiology	1010-900-250
P.A.C.U.	1010-900-220	Nuclear Medicine	1010-900-255
Transport	1010-900-225	Ambulatory Surgery	1010-900-260
Surgery	1010-900-230	G.I. Lab	1010-900-265
Extended Stay	1010-900-235	Cath. Lab	1010-900-270
Maternity	1010-900-240	Same Day Surgery	1010-900-275
Endoscopy	1010-900-245	Cardio.	1010-900-280
		Ultrasound	1010-900-285

Midsection Assembly

Assembly part number
5050-31-1



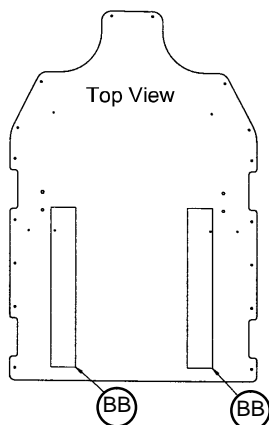
Item	Part No.	Part Name	Qty.	Item	Part No.	Part Name	Qty.
A	29-7	Duralock Velcro Strip	2	R	5050-30-6	Midsection Skin	1
B	56-11	Rubber Bumper	2	S	5050-30-34	Ft. End I.V. Cover, Rt.	1
C	938-1-401	Collar	2	T	5050-30-35	Ft. End I.V. Cover, Lt.	1
D	1-23	Flat Hd. Ctrsnk. Cap Screw	4	W	5050-30-36	Hd. End I.V. Cover, Rt.	1
E	1001-201-29	Nylon Insert	2	Y	5050-30-37	Hd. End I.V. Cover, Lt.	1
F	16-16	Nylock Nut	12	Z	5050-31-11	Foot End Support	2
H	23-100	Pan Hd. Self-Tapping Scr.	4	AA	5050-31-17	Insert Support	2
J	29-9	Duralock Velcro Strip	2	AB	5050-31-18	Hd. End Crosstube Widmt.	1
K	25-50	Pop Rivet	2	AC	5050-31-24	Ft. End Crosstube Widmt.	1
L	25-79	Pop Rivet	8	AF	5050-31-10	Midsection Weldment	1
M	3-17	Hex Hd. Cap Screw	8	AH	7900-1-102	Velcro Pile	2
N	46-1	Set Screw	2	AJ	5050-31-40	Spring Mount	2
P	5050-30-3	Center Enclosure	1				



Fowler Assembly

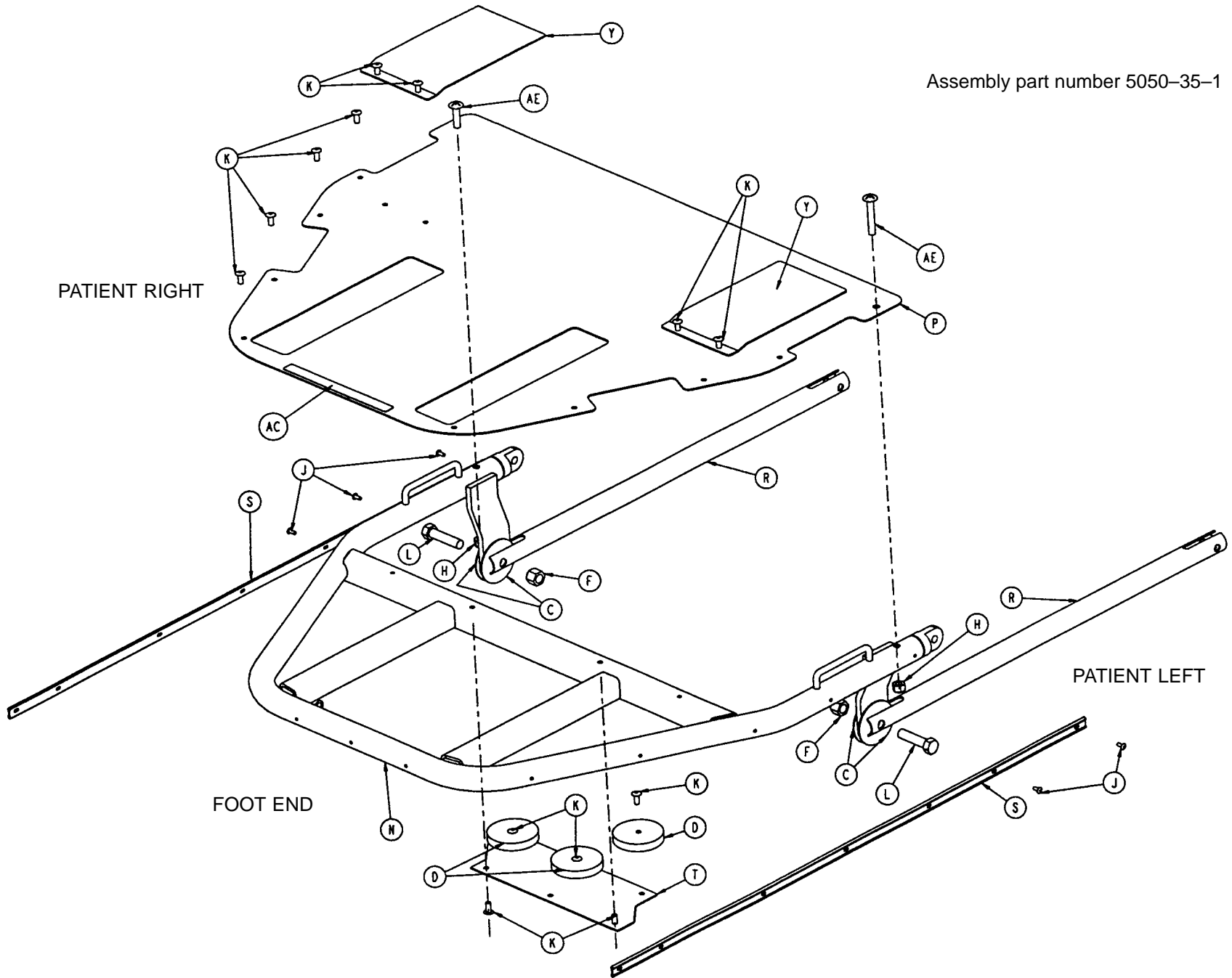
Fowler Assembly

Item	Part No.	Part Name	Qty.
A	4-57	Hex Soc. But. Hd. Cap Screw	6
B	4-97	Hex Soc. But. Hd. Cap Screw	2
C	4-130	Hex Soc. But. Hd. Cap Screw	2
D	4-135	But. Hd. Cap Screw	2
E	4-303	Hex Soc. Hd. Cap Screw	2
F	4-257	H. Soc. Flat Ctrsnk. Hd. Cap Scr.	2
H	7-34	Truss Hd. Mach. Screw	6
J	11-132	Nylon Washer	4
K	14-2	Nylon Washer	4
L	14-9	Nylon Washer	4
M	14-19	Nylon Washer	8
N	15-37	Hex Jam Nut	2
P	15-50	Hex Nut	2
R	16-11	Nylock Hex Nut	4
S	16-14	Dynalock Nut	6
T	16-16	Nylon Lock Nut	10
W	16-90	Nylock Nut	2
Y	21-125	Set Screw	2
Z	21-119	Set Screw	2
AA	21-126	Set Screw	2
AB	25-38	Pop Rivet	20
AC	25-50	Pop Rivet	14
AD	27-17	Cotter Pin	4
AE	28-76	Retaining Ring	4
AF	716-1-286	Release Pedal Cam	4
AH	946-35-25	Liner	4
AJ	1001-31-30	Yoke Housing	2
AK	360-31-77	Gas Cylinder	2
AL	1060-1-66	Pneumatic Trigger	2
AM	1510-31-28	Yoke	2
AN	5050-30-4	Fowler Enclosure, Right	1
AP	5050-30-5	Fowler Enclosure, Left	1
AR	5050-30-8	Fowler Skin	1
AS	5050-30-30	Head End Bumper Channel	2
AT	5050-33-10	Fowler Weldment	1
AW	5050-33-16	Trip Bar Weldment	1
AY	5050-33-18	Spacer	2
AZ	5050-33-19	Trip Bar Link	2
BA	5050-90-6	Head/Foot End Warning Label	1
BB	7900-1-102	Velcro Pile	36"

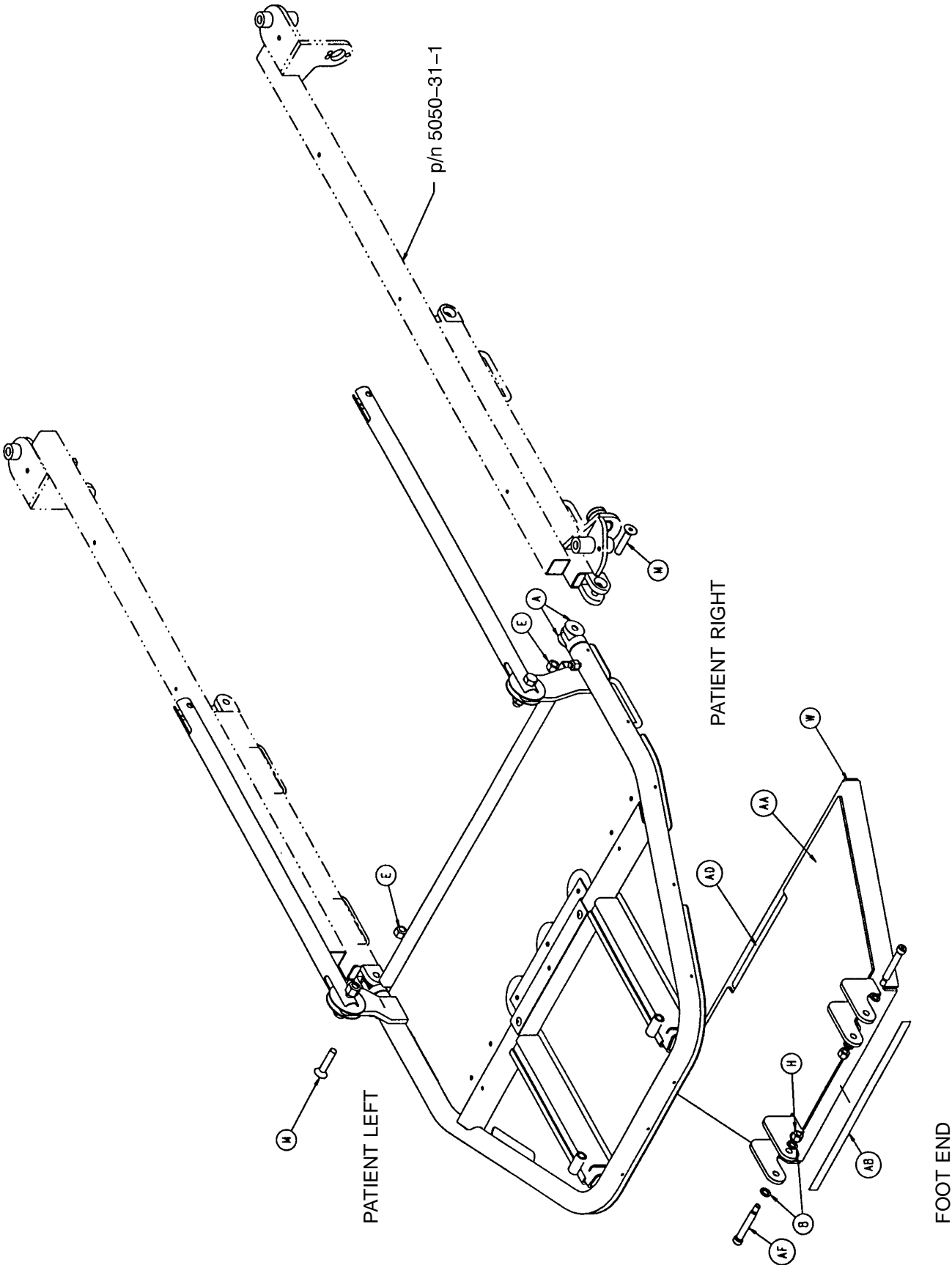


Dependent Leg/Stationary Ft. Section Ass'y

Assembly part number 5050-35-1



Dependent Leg/Stationary Ft. Section Ass'y

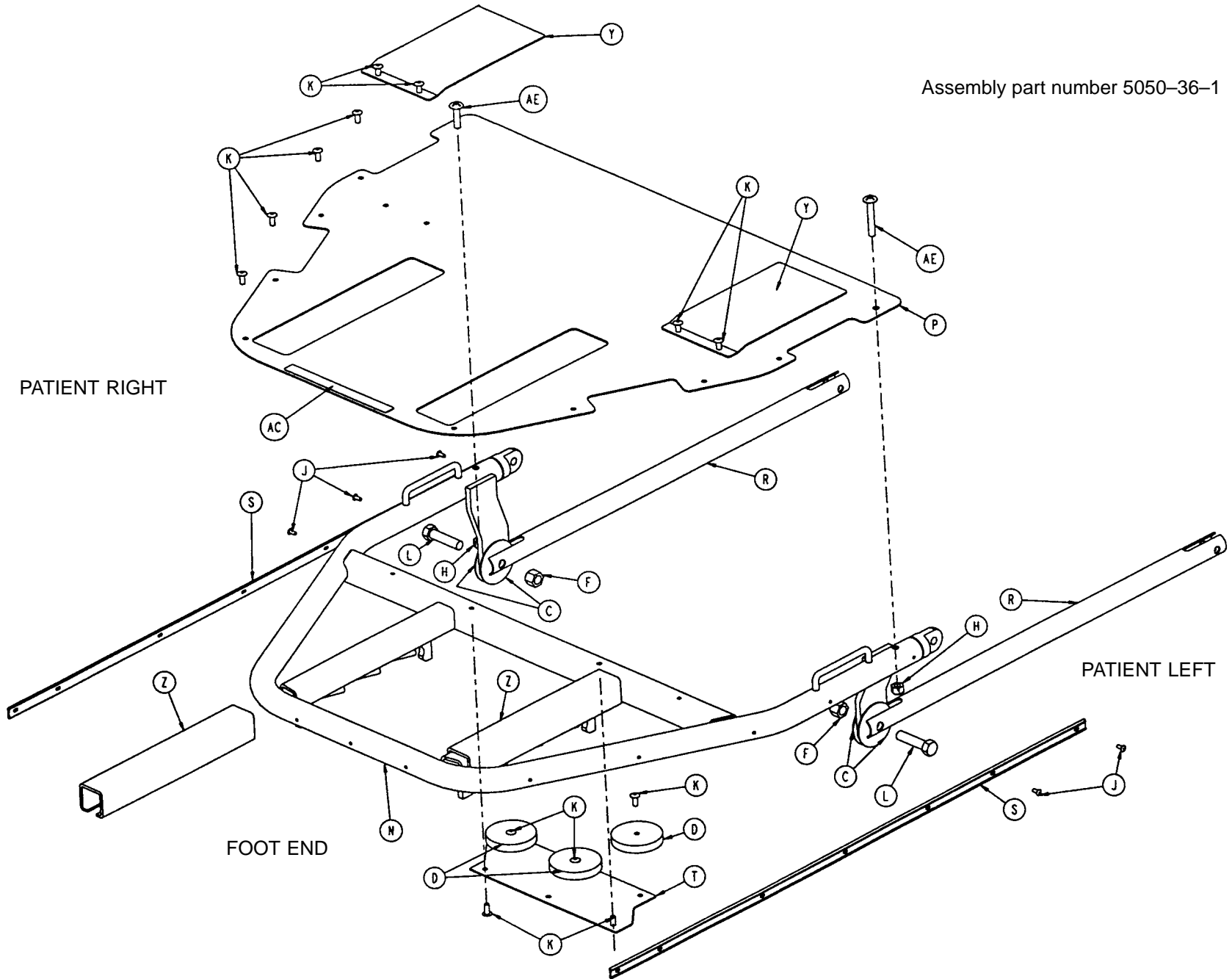


Dependent Leg/Stationary Ft. Section Ass'y

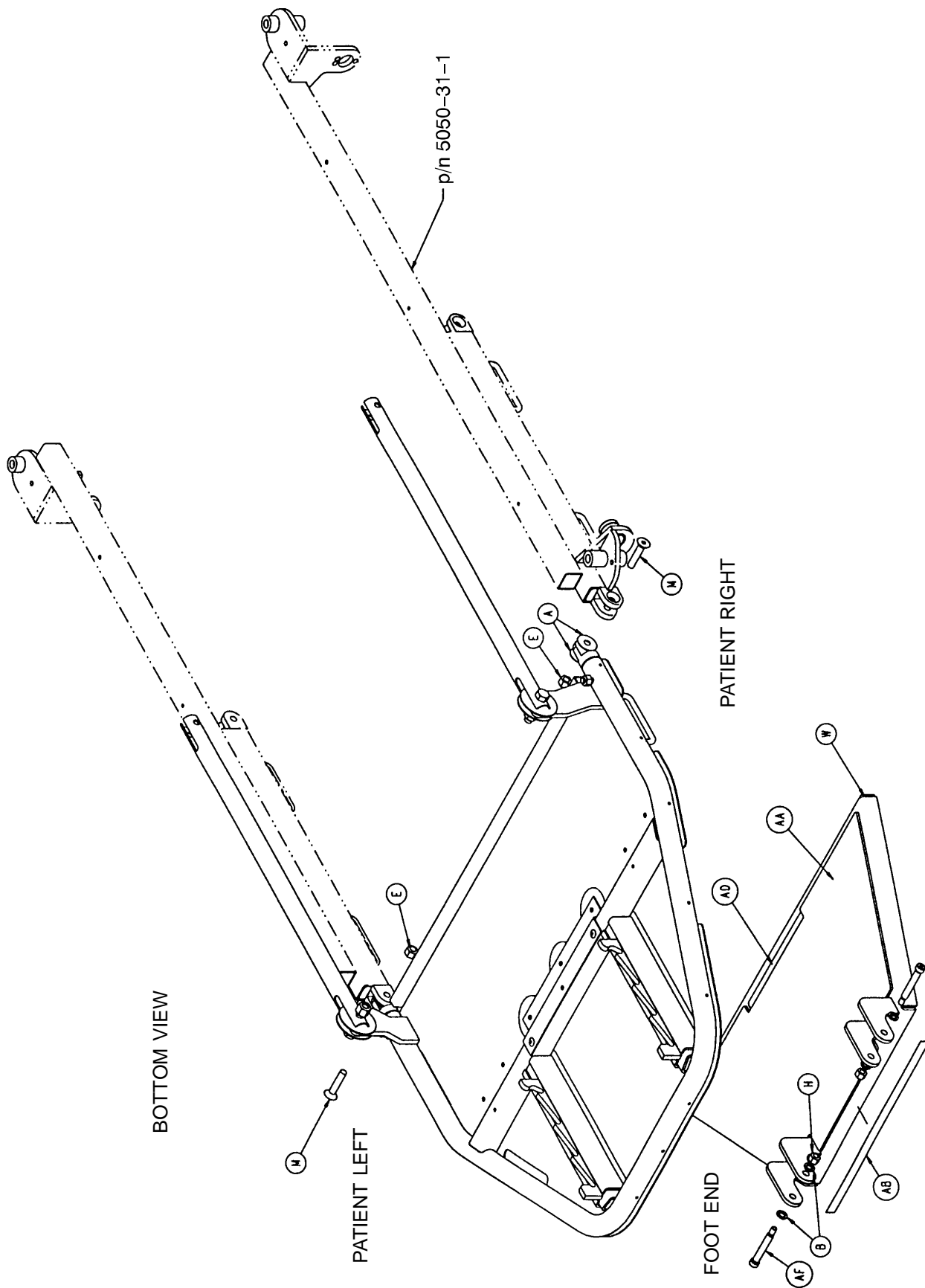
Item	Part No.	Part Name	Qty.
A	14-19	Nylon Washer	4
B	14-3	Nylon Washer	4
C	14-55	Nylon Washer	4
D	1550-1-14	Magnet	3
E	16-11	Hex Nut	2
F	16-12	Hex Nut	2
H	16-16	Hex Nut	4
J	25-38	Blind Rivet	14
K	25-79	Blind Rivet	17
L	3-25	Hex Hd. Cap Screw	2
M	4-257	H. Soc. Flat Ctrsnk. Hd. Cap Scr.	2
N	5050-35-10	Dep. Leg/Stat. Ft. Weldment	1
P	5050-30-7	Foot Skin	1
R	5050-30-26	Rigid Connecting Link	2
S	5050-30-31	Foot End Bumper Channel	2
T	5050-32-17	Magnet Plate	1
W	5050-32-46	Foot Rest Weldment	1
Y	5050-32-51	Slide Guide	2
AA	5050-32-57	Foot Plate Pad	1
AB	5050-32-65	Foot Rest Tape	1
AC	5050-90-6	Head/Foot End Warning Label	1
AD	5050-90-7	Foot Rest Warning Label	1
AE	7-34	Truss Hd. Mach. Screw	2
AF	8-44	Soc. Hd. Shoulder Screw	2

Dependent Leg/Adjustable Foot Section Ass'y

Assembly part number 5050-36-1



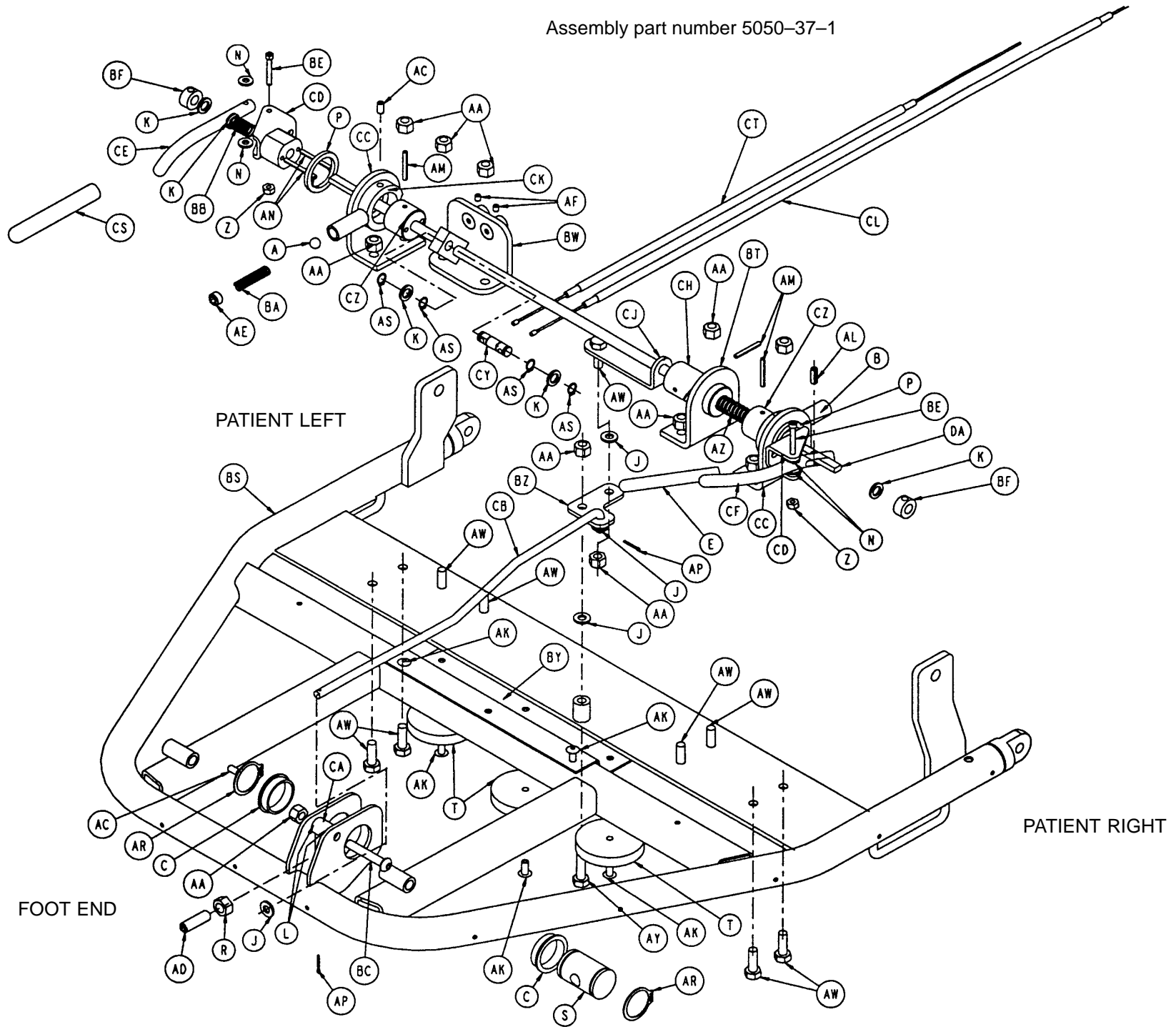
Dependent Leg/Adjustable Foot Section Ass'y



Dependent Leg/Adjustable Foot Section Ass'y

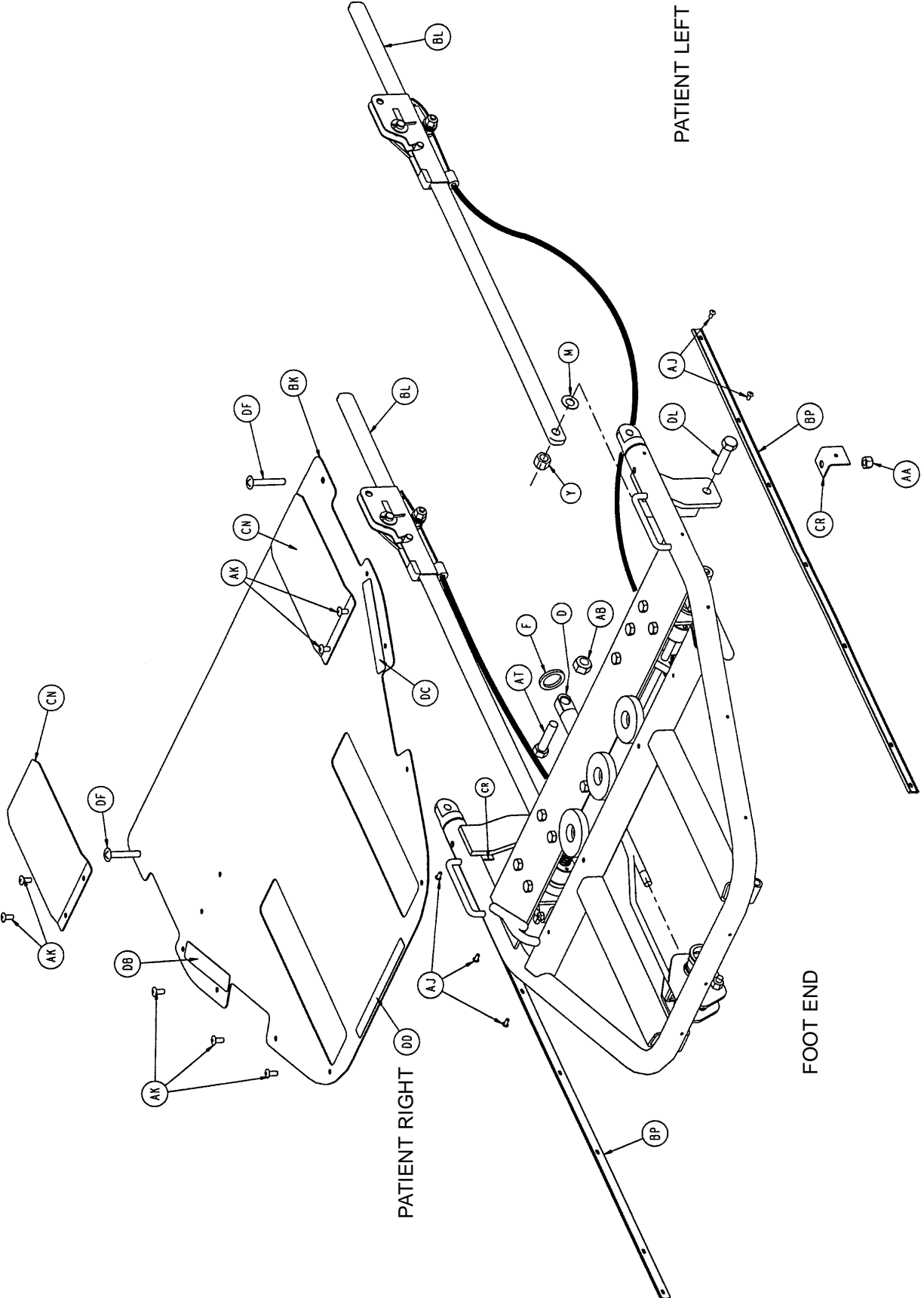
Item	Part No.	Part Name	Qty.
A	14-19	Nylon Washer	4
B	14-3	Nylon Washer	4
C	14-55	Nylon Washer	4
D	1550-1-14	Magnet	3
E	16-11	Nylock Hex Nut	2
F	16-12	Nylock Hex Nut	2
H	16-16	Nylock Hex Nut	4
J	25-38	Blind Rivet	14
K	25-79	Blind Rivet	17
L	3-25	Hex Hd. Cap Screw	2
M	4-257	H. Soc. Flat Ctrsnk. Hd. Cap Scr.	2
N	5050-36-10	Dep. Leg/Adj. Foot Weldment	1
P	5050-30-7	Foot Skin	1
R	5050-30-26	Rigid Connecting Link	2
S	5050-30-31	Foot End Bumper Channel	2
T	5050-32-17	Magnet Plate	1
W	5050-32-46	Foot Rest Weldment	1
Y	5050-32-51	Slide Guide	2
Z	5050-32-52	Channel	2
AA	5050-32-57	Foot Plate Pad	1
AB	5050-32-65	Foot Rest Tape	1
AC	5050-90-6	Head/Foot End Warning Label	1
AD	5050-90-7	Foot Rest Warning Label	1
AE	7-34	Truss Hd. Mach. Screw	2
AF	8-44	Soc. Hd. Shoulder Screw	2

Assembly part number 5050-37-1

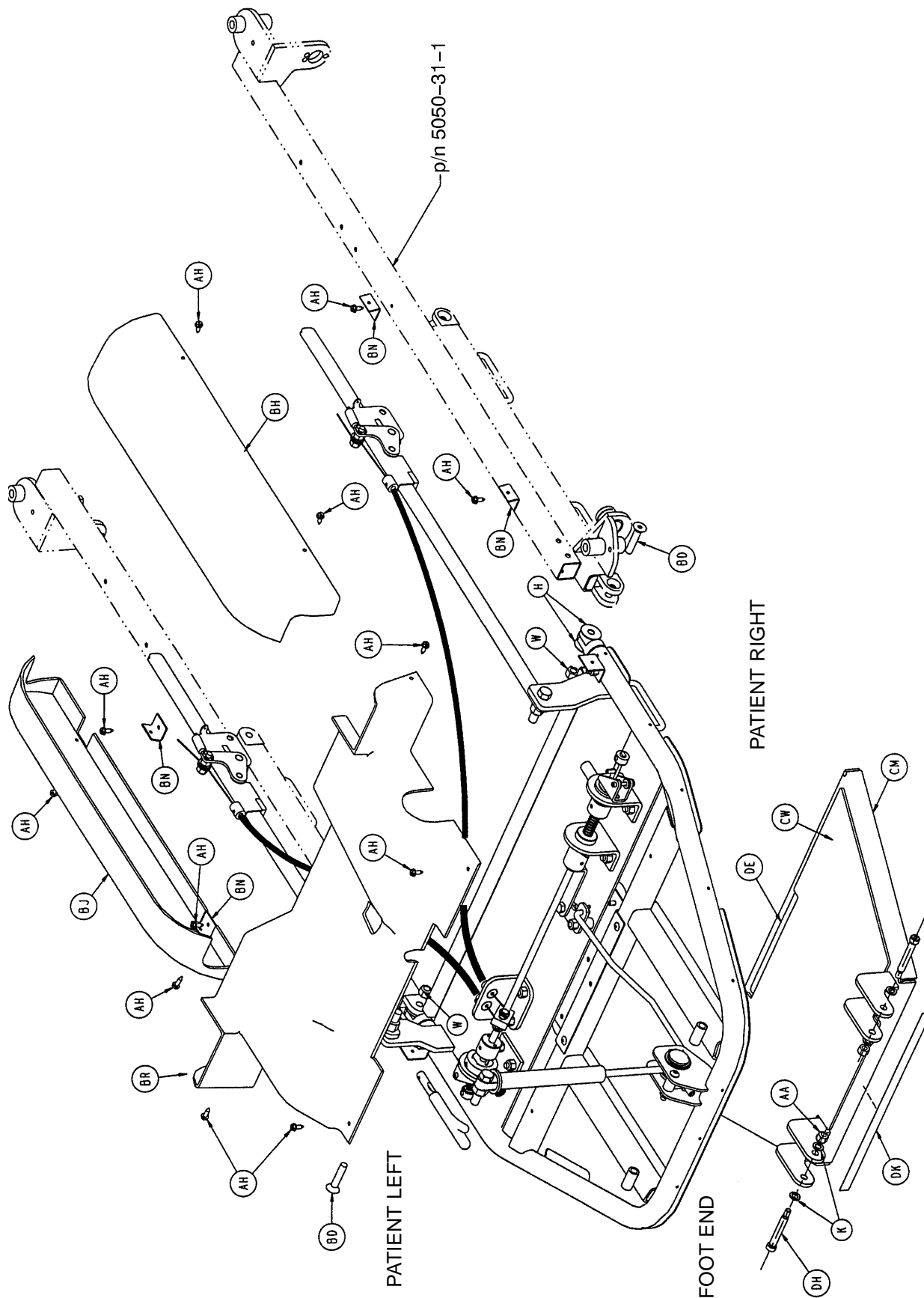


Independent Leg/Stationary Foot Assembly

Independent Leg/Stationary Foot Assembly



Independent Leg/Stationary Foot Assembly

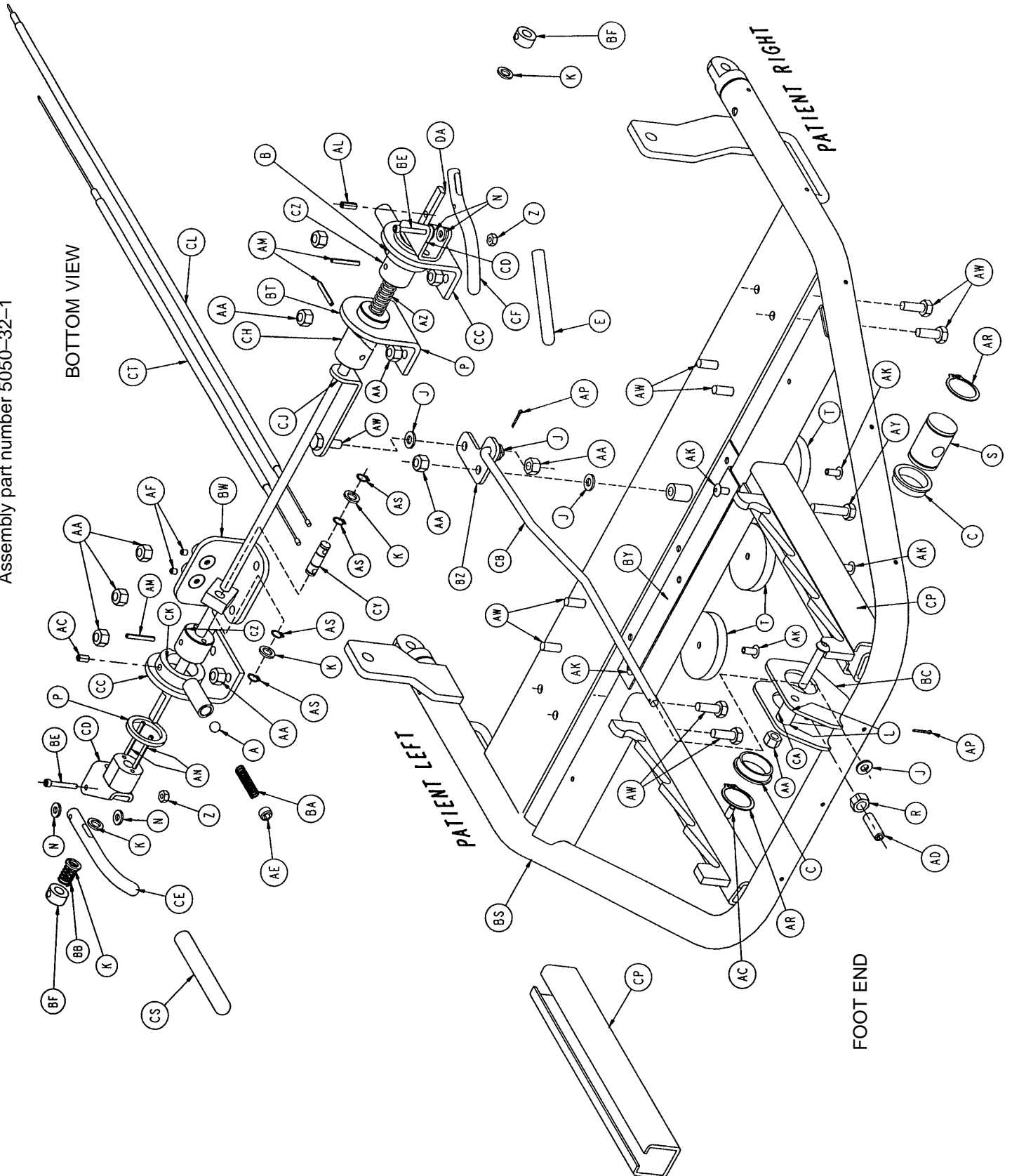


Independent Leg/Stationary Foot Assembly

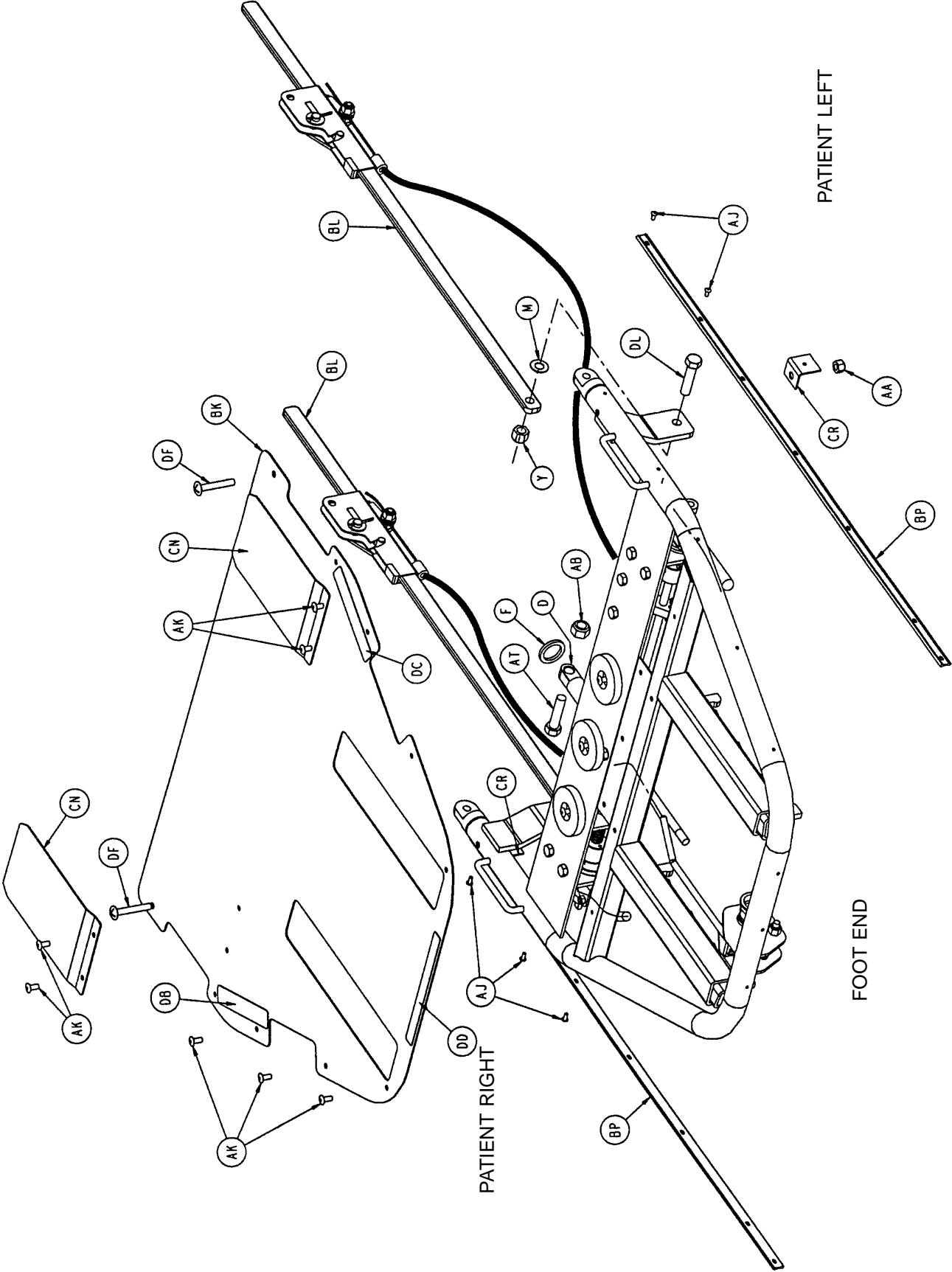
Item	Part No.	Part Name	Qty.	Item	Part No.	Part Name	Qty.
A	81-247	Ball Bearing	1	BE	4-82	Soc. Hd. Cap Screw	2
B	938-1-401	Collar	1	BF	42-22	Locking Collar	2
C	946-35-25	Liner	2	BH	5050-30-1	Right Side Enclosure	1
D	1010-31-77	Gas Cylinder	1	BJ	5050-30-2	Left Side Enclosure	1
E	1068-234-36	Handle Grip	1	BK	5050-30-7	Foot Skin	1
F	11-379	Steel Washer	1	BL	(page 62)	Locking Link, Right	1
H	14-19	Nylon Washer	4	BM	(page 63)	Locking Link, Left	1
J	14-2	Nylon Washer	4	BN	5050-30-28	Side Enclosure Bracket	4
K	14-3	Nylon Washer	8	BP	5050-30-31	Ft. End Bumper Channel	2
L	14-4	Nylon Washer	2	BR	5050-30-32	Foot Section Cover	1
M	14-55	Nylon Washer	4	BS	5050-37-10	Indep. Leg/Stat. Ft. Wldmt.	1
N	14-56	Nylon Washer	4	BT	5050-32-12	Swivel Weldment	1
P	14-63	Nylon Washer	2	BW	5050-32-15	Cable Bracket Wldmt.	1
R	15-50	Hex Nut	1	BY	5050-32-17	Magnet Plate	1
S	1510-31-28	Yoke	1	BZ	5050-32-18	Spring Rocker	1
T	1550-1-14	Magnet	3	CA	5050-32-19	Spring Actuator	1
W	16-11	Nylock Hex Nut	2	CB	5050-32-22	Tie Rod	1
Y	16-12	Nylock Hex Nut	2	CC	5050-32-23	L-Bracket Weldment	2
Z	16-23	Nylock Hex Nut	2	CD	5050-32-27	Handle Mount Weldment	2
AA	16-16	Nylock Hex Nut	15	CE	5050-32-30	Left Handle	1
AB	16-90	Nylock Hex Nut	1	CF	5050-32-32	Right Handle	1
AC	21-119	Set Screw	2	CH	5050-32-34	Nylon Swivel	1
AD	21-126	Set Screw	1	CJ	5050-32-35	Spring Pusher	1
AE	21-141	Set Screw	1	CK	5050-32-36	Stop Collar	1
AF	21-8	Set Screw	2	CL	5050-32-39	Long Cable w/Cover	1
AH	23-71	Hex Wash. Hd. Tap. Scr.	12	CM	5050-32-46	Foot Rest Weldment	1
AJ	25-38	Blind Rivet	14	CN	5050-32-51	Slide Guide	2
AK	25-79	Blind Rivet	17	CR	5050-32-53	Foot Cover L-Bracket	2
AL	26-233	Roll Pin	1	CS	5050-32-54	Left Handle Cover	1
AM	26-7	Roll Pin	3	CT	5050-32-40	Release Cable	1
AN	26-8	Roll Pin	4	CW	5050-32-57	Foot Plate Pad	1
AP	27-4	Cotter Pin	2	CY	5050-32-60	Cable Pivot	1
AR	28-76	External Retaining Ring	2	CZ	5050-32-62	Handle Timing Swivel	2
AS	28-89	External Retaining Ring	4	DA	5050-32-63	Handle Rod Weldment	1
AT	3-209	Hex Hd. Cap Screw	1	DB	5050-90-4	Foot Section Label, Rt.	1
AW	3-50	Hex Hd. Cap Screw	9	DC	5050-90-5	Foot Section Label, Lt.	1
AY	3-74	Hex Hd. Cap Screw	1	DD	5050-90-6	Hd./Ft. End Warning Label	1
AZ	38-331	Compression Spring	1	DE	5050-90-7	Foot Rest Warning Label	1
BA	38-332	Compression Spring	1	DF	7-34	Truss Hd. Mach. Screw	2
BB	38-334	Compression Spring	1	DH	8-44	Soc. Hd. Shoulder Screw	2
BC	4-135	H. Soc. But. Hd. Cap Scr.	1	DK	5050-32-65	Foot Rest Tape	1
BD	4-257	Flat Ctrsnk. Hd. Cap Scr.	2	DL	3-25	Hex Hd. Cap Screw	2

Independent Leg/Adjustable Foot Section Assembly

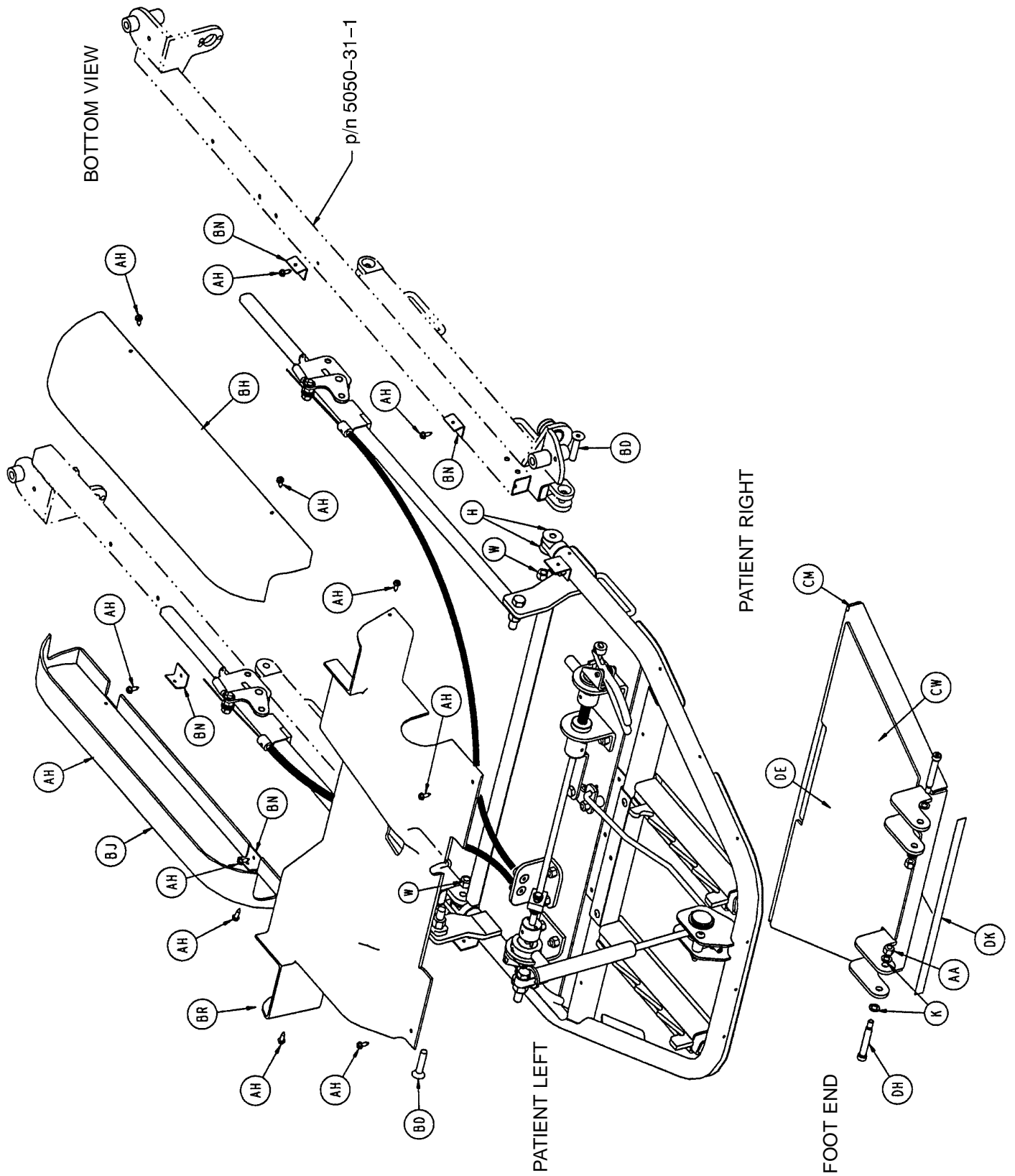
Assembly part number 5050-32-1



Independent Leg/Adjustable Foot Section Assembly



Independent Leg/Adjustable Foot Section Assembly

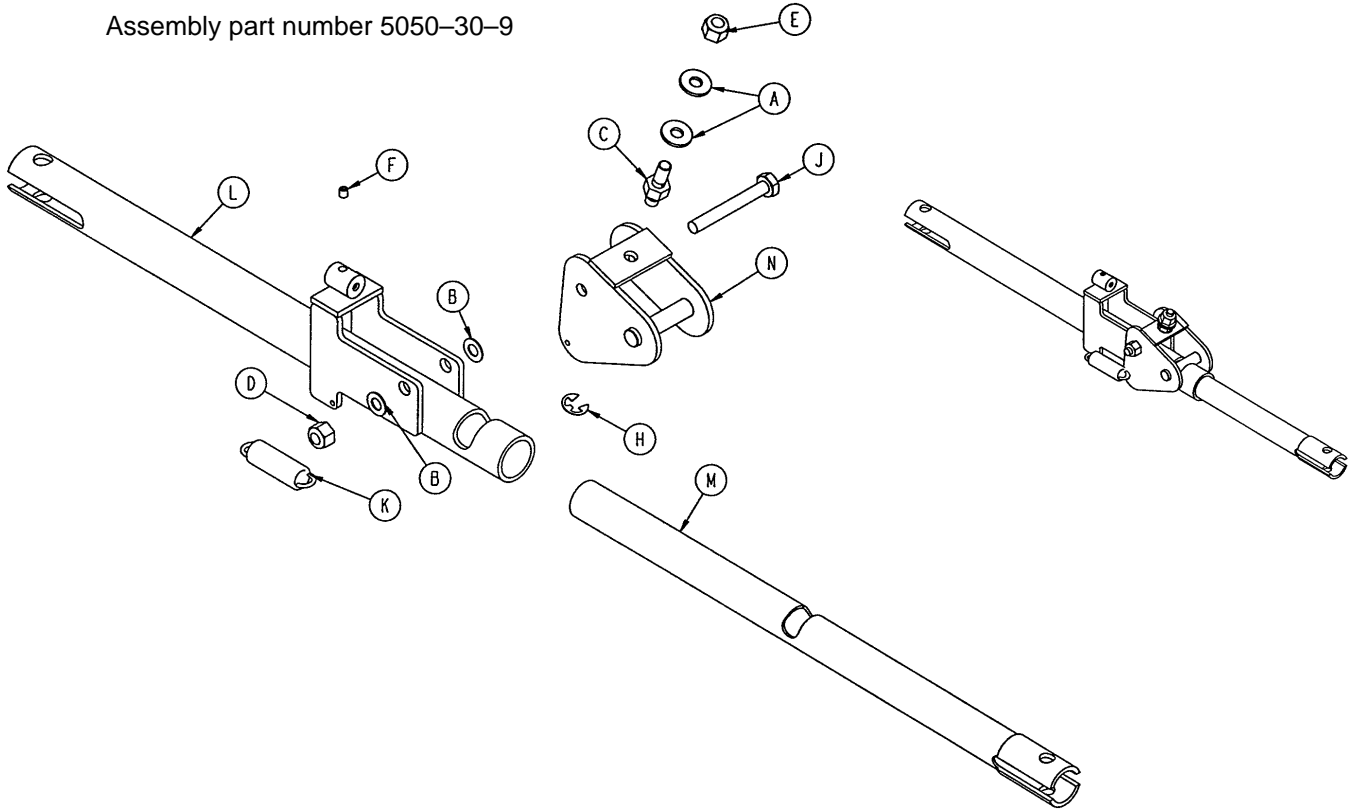


Independent Leg/Adjustable Foot Section Assembly

Item	Part No.	Part Name	Qty.	Item	Part No.	Part Name	Qty.
A	81-247	Ball Bearing	1	BF	42-22	Locking Collar	2
B	938-1-401	Collar	1	BH	5050-30-1	Right Side Enclosure	1
C	946-35-25	Liner	2	BJ	5050-30-2	Left Side Enclosure	1
D	1010-31-77	Gas Cylinder	1	BK	5050-30-7	Foot Skin	1
E	1068-234-36	Handle Grip	1	BL	(page 62)	Locking Link, Right	2
F	11-379	Steel Washer	1	BM	(page 63)	Locking Link, Left	1
H	14-19	Nylon Washer	4	BN	5050-30-28	Side Enclosure Bracket	4
J	14-2	Nylon Washer	4	BP	5050-30-31	Foot End Bumper Channel	2
K	14-3	Nylon Washer	8	BR	5050-30-32	Foot Section Cover	1
L	14-4	Nylon Washer	2	BS	5050-32-10	Ind. Leg/Adj. Ft. Wldmt.	1
M	14-55	Nylon Washer	4	BT	5050-32-12	Swivel Weldment	1
N	14-56	Nylon Washer	4	BW	5050-32-15	Cable Bracket Weldment	1
P	14-63	Nylon Washer	2	BY	5050-32-17	Magnet Plate	1
R	15-50	Hex Nut	1	BZ	5050-32-18	Spring Rocker	1
S	1510-31-28	Yoke	1	CA	5050-32-19	Spring Actuator	1
T	1550-1-14	Magnet	3	CB	5050-32-22	Tie Rod	1
W	16-11	Nylock Hex Nut	2	CC	5050-32-23	L-Bracket Weldment	2
Y	16-12	Nylock Hex Nut	2	CD	5050-32-27	Handle Mount Weldment	2
Z	16-23	Nylock Hex Nut	2	CE	5050-32-30	Left Handle	1
AA	16-16	Nylock Hex Nut	13	CF	5050-32-32	Right Handle	1
AB	16-90	Nylock Hex Nut	1	CH	5050-32-34	Nylon Swivel	1
AC	21-119	Set Screw	2	CJ	5050-32-35	Spring Pusher	1
AD	21-126	Set Screw	1	CK	5050-32-36	Stop Collar	1
AE	21-141	Set Screw	1	CL	5050-32-40	Release Cable	1
AF	21-8	Set Screw	2	CM	5050-32-46	Foot Rest Weldment	1
AH	23-71	Hex Wash. Hd. Tap. Scr.	12	CN	5050-32-51	Slide Guide	2
AJ	25-38	Blind Rivet	14	CP	5050-32-52	Channel	2
AK	25-79	Blind Rivet	17	CR	5050-32-53	Foot Cover L-Bracket	2
AL	26-233	Roll Pin	1	CS	5050-32-54	Left Handle Cover	1
AM	26-7	Roll Pin	3	CT	5050-32-40	Release Cable	1
AN	26-8	Roll Pin	4	CW	5050-32-57	Foot Plate Pad	1
AP	27-4	Cotter Pin	2	CY	5050-32-60	Cable Pivot	1
AR	28-76	External Retaining Ring	2	CZ	5050-32-62	Handle Timing Swivel	2
AS	28-89	External Retaining Ring	4	DA	5050-32-63	Handle Rod Weldment	1
AT	3-209	Hex Hd. Cap Screw	1	DB	5050-90-4	Foot Section Label, Right	1
AW	3-50	Hex Hd. Cap Screw	9	DC	5050-90-5	Foot Section Label, Left	1
AY	3-74	Hex Hd. Cap Screw	1	DD	5050-90-6	Hd./Ft. End Warning Label	1
AZ	38-331	Compression Spring	1	DE	5050-90-7	Foot Rest Warning Label	1
BA	38-332	Compression Spring	1	DF	7-34	Truss Hd. Mach. Screw	2
BB	38-334	Compression Spring	1	DH	8-44	Soc. Hd. Shoulder Screw	2
BC	4-135	H. Soc. But. Hd. Cap Scr.	1	DK	5050-32-65	Foot Rest Tape	1
BD	4-257	Flat Ctrsnk. Hd. Cap Scr.	2	DL	3-25	Hex Hd. Cap Screw	2
BE	4-82	Soc. Hd. Cap Screw	2				

Independent Leg Section Locking Link, Right

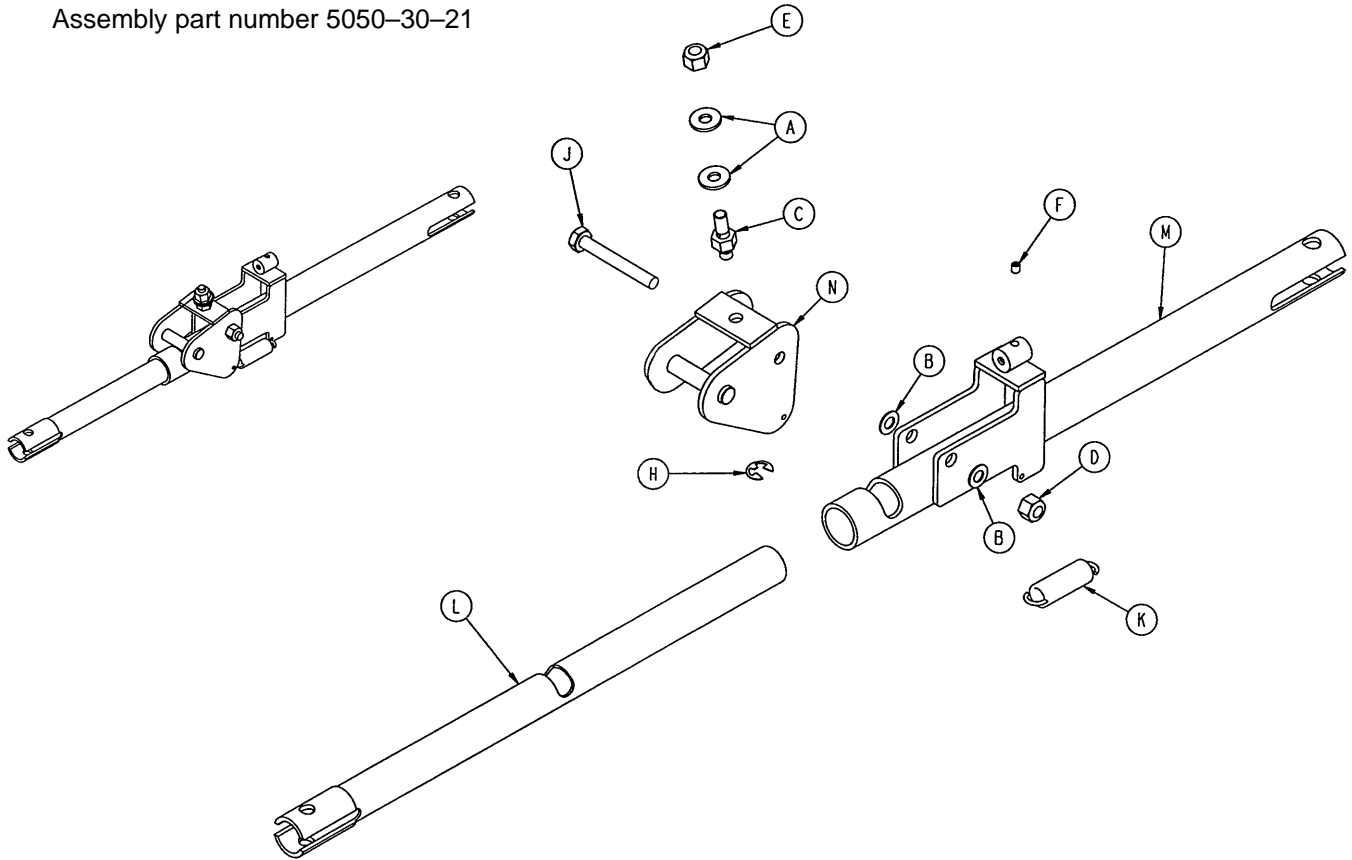
Assembly part number 5050-30-9



Item	Part Number	Part Name	Qty.
A	11-2	Washer	2
B	14-4	Washer	2
C	1550-33-18	Cable Retainer	1
D	16-16	Nylock Nut	1
E	16-47	Nylock Nut	1
F	21-8	Set Screw	1
H	28-114	Retaining Ring	1
J	3-20	Hex Hd. Cap Screw	1
K	38-330	Extension Spring	1
L	5050-30-10	Outer Tube Weldment, Rt.	1
M	5050-30-14	Inner Lock Tube	1
N	5050-30-15	Lock Weldment, Rt.	1

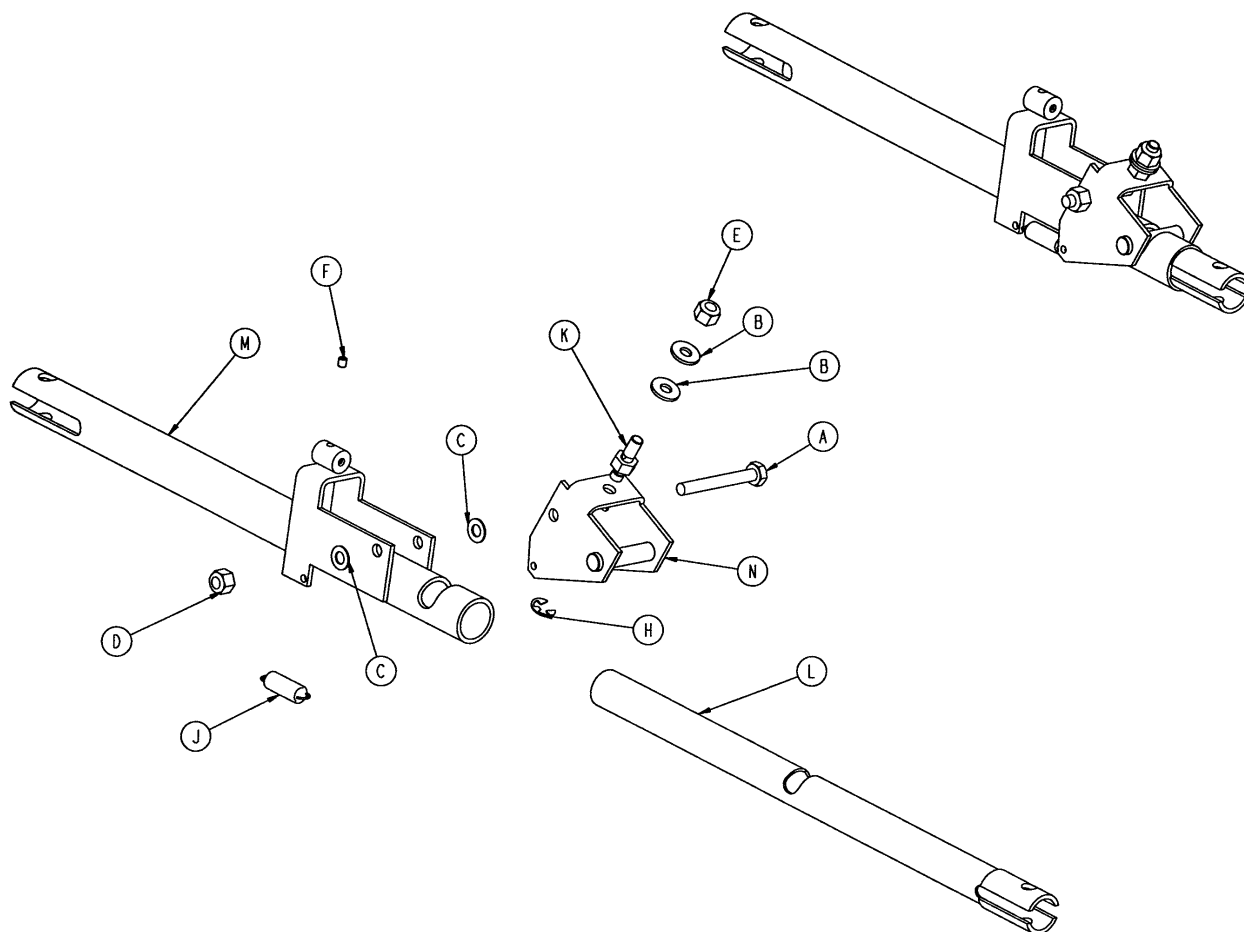
Independent Leg Section Locking Link, Left

Assembly part number 5050-30-21



Item	Part No.	Part Name	Qty.
A	11-2	Washer	2
B	14-4	Washer	2
C	1550-33-18	Cable Retainer	1
D	16-16	Nylock Nut	1
E	16-47	Nylock Nut	1
F	21-8	Set Screw	1
H	28-114	Retaining Ring	1
J	3-20	Hex Hd. Cap Screw	1
K	38-330	Extension Spring	1
L	5050-30-14	Inner Lock Tube	1
M	5050-30-24	Outer Tube Weldment, Lt.	1
N	5050-30-25	Lock Weldment, Lt.	1

5050-30-42 Locking Link Assembly*



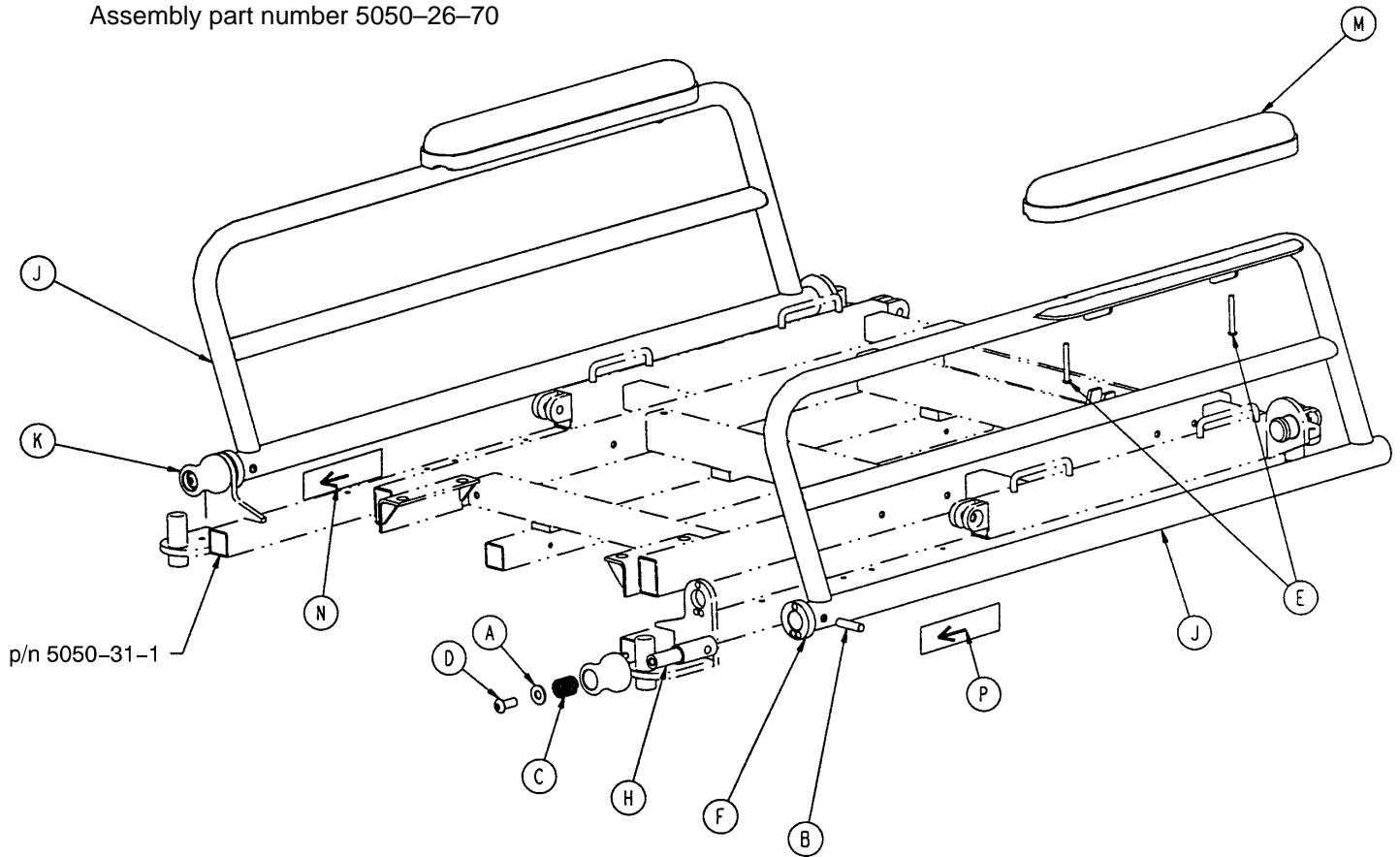
Item	Part No.	Part Name	Qty.
A	3-20	Hex Hd. Cap Screw	1
B	11-2	Steel Washer	1
C	14-4	Nylon Washer	2
D	16-16	Nylon Lock Nut	1
E	16-47	Nylon Lock Nut	1
F	21-8	Set Screw	1
H	28-114	E-Ring	1
J	38-330	Extension Spring	1
K	1550-33-18	Cable Retainer	1
L	5050-30-14	Inner Lock Tube	1
M	5050-30-40	Outer Lock Tube Weldment	1
N	5050-30-41	Lock Weldment	1

*For stretcher chairs with serial numbers of 9604032789 and higher.

Notes

Non-Transfer Siderail Assembly

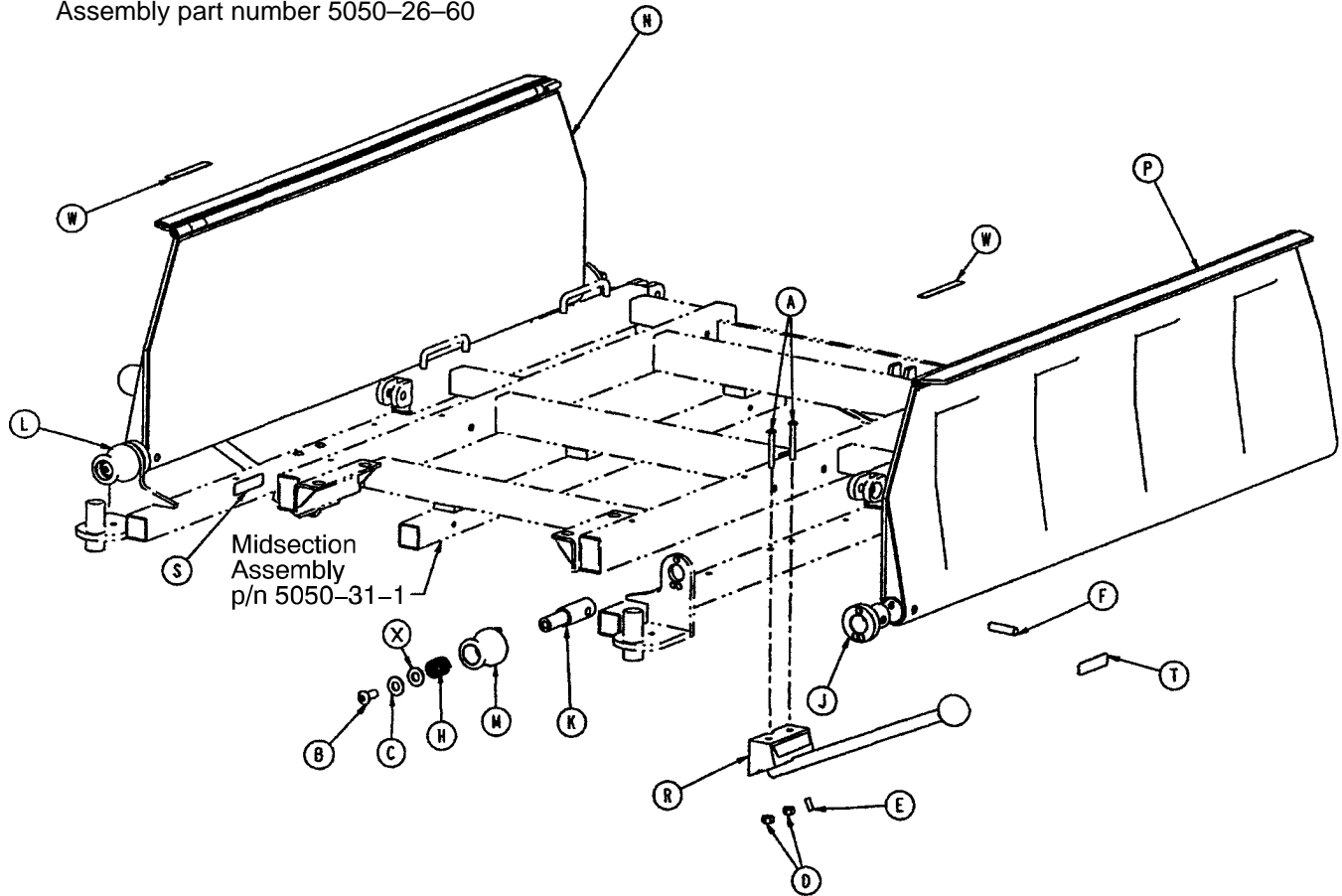
Assembly part number 5050-26-70



Item	Part No.	Part Name	Qty.
A	11-3	Steel Washer	2
B	26-243	Dowel Pin	2
C	38-338	Compression Spring	2
D	4-178	Hex Soc. But. Hd. Cap Screw	2
E	4-215	But. Hd. Cap Screw	4
F	5050-26-2	Latch Housing Insert	2
H	5050-26-3	Latch Pivot Shaft	2
J	5050-226-25	Non-Transfer Siderail, Right	1
K	5050-26-37	Release Knob	2
M	5050-26-50	Siderail Arm Pad	2
N	5050-90-2	Release Label, Left	2
P	5050-90-3	Release Label, Right	2

Transfer Siderail Assembly

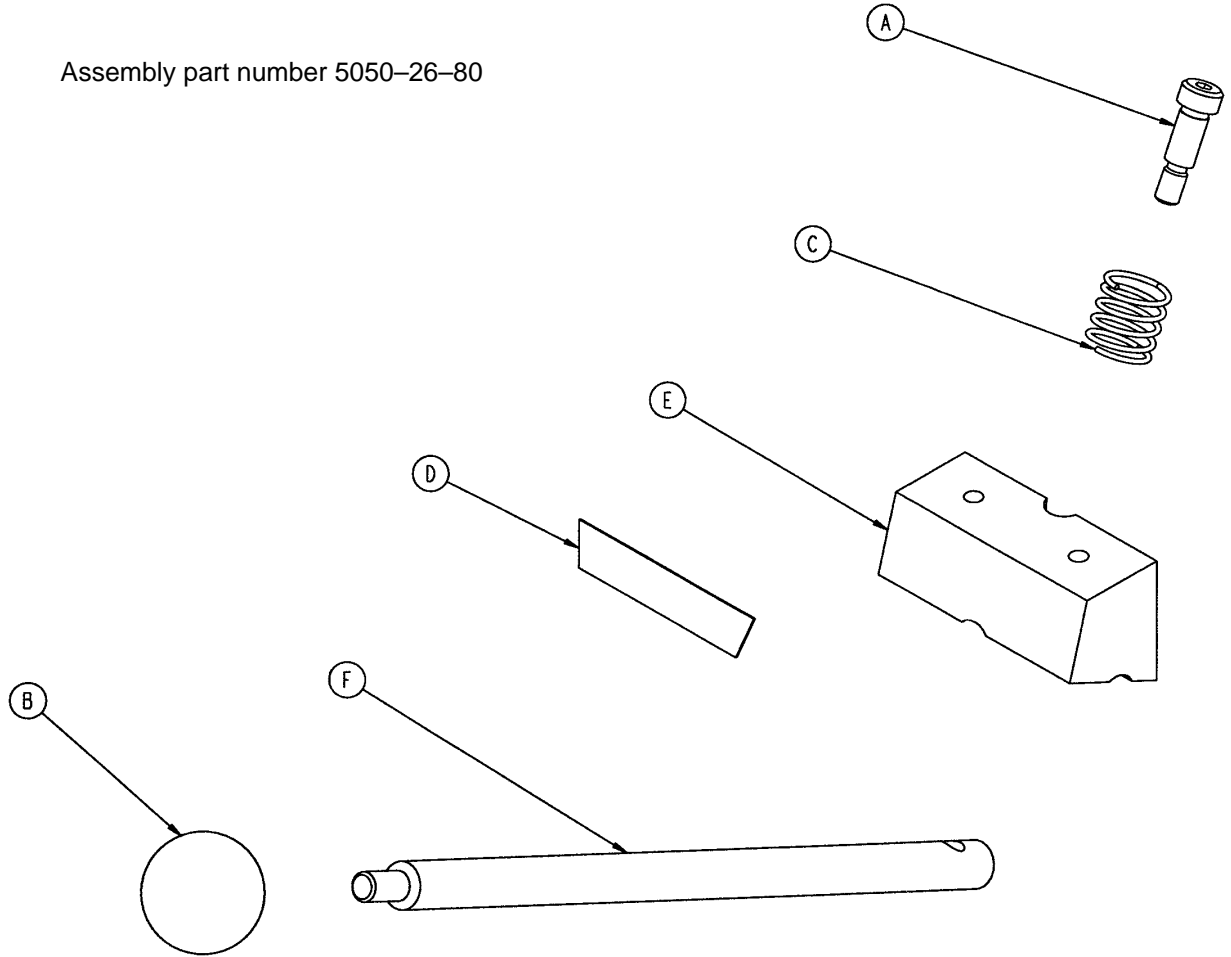
Assembly part number 5050-26-60



Item	Part No.	Part Name	Qty.
A	2-100	Pan Hd. Mach. Screw	4
B	4-178	Hex Soc. But. Hd. Cap Screw	2
C	11-3	Washer	2
D	16-3	Fiberlock Nut	4
E	26-233	Roll Pin	2
F	26-259	Dowel	2
H	38-338	Compression Spring	2
J	5050-26-2	Latch Housing Insert	2
K	5050-26-3	Latch Pivot Shaft	2
L	5050-26-37	Release Knob, Left	1
M	5050-26-38	Release Knob, Right	1
N	5050-26-51	Transfer Siderail Ass'y, Left	1
P	5050-26-52	Transfer Siderail Ass'y, Right	1
R	(page 66)	Board Support Assembly	2
S	5050-90-2	Siderail Release Label, Left	2
T	5050-90-3	Siderail Release Label, Right	2
W	5050-90-14	Transfer Board Release Label	2
X	14-21	Nylon Washer	2

Board Support Assembly

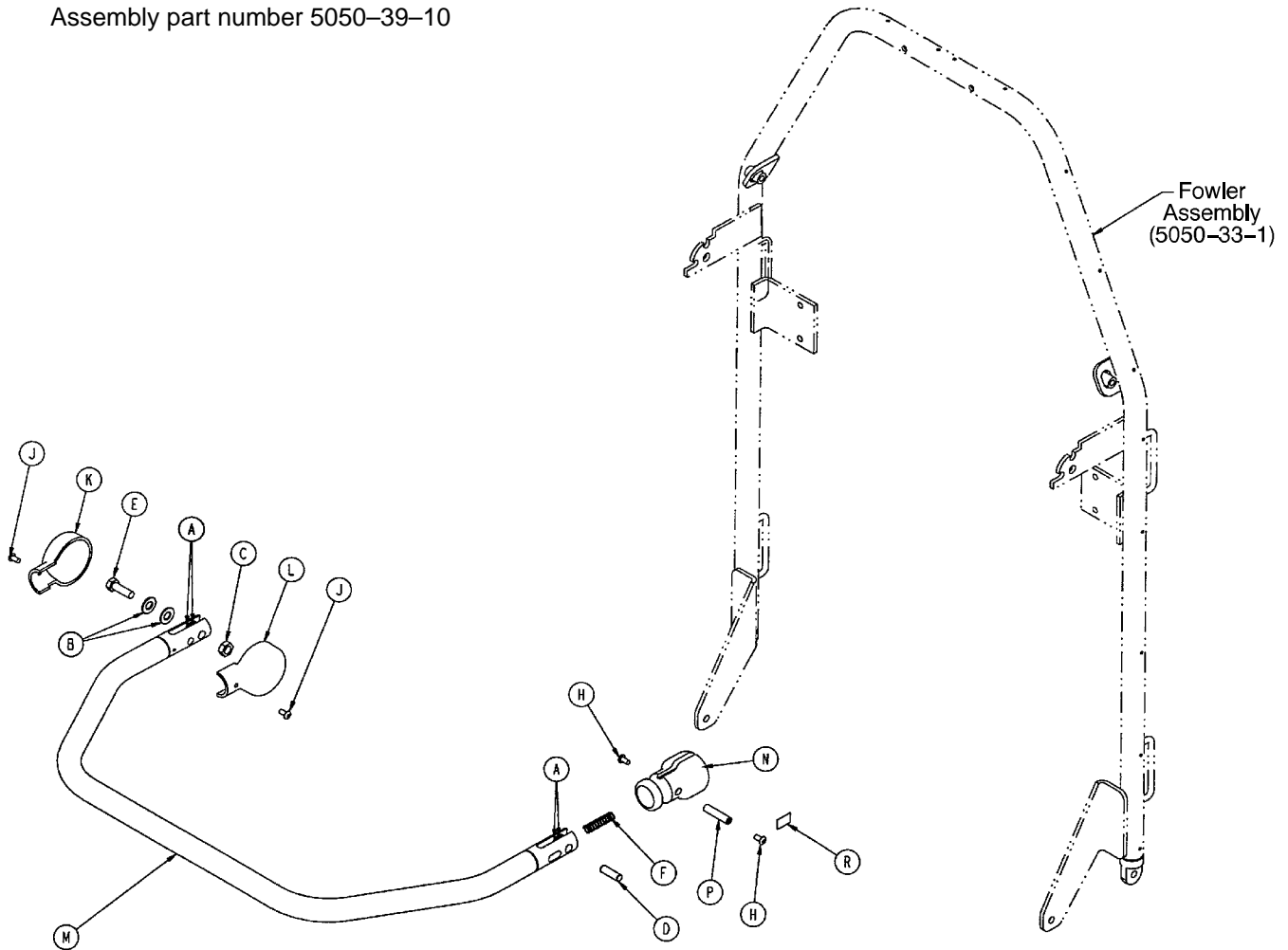
Assembly part number 5050-26-80



Item	Part No.	Part Name	Qty.
A	8-15	Socket Hd. Shoulder Bolt	1
B	33-2	Ball Knob	1
C	38-368	Compression Spring	1
D	1010-24-14	Warning Label	1
E	5050-26-81	Support Block	1
F	5050-26-82	Support Arm	1

Adjustable Push Bar Assembly

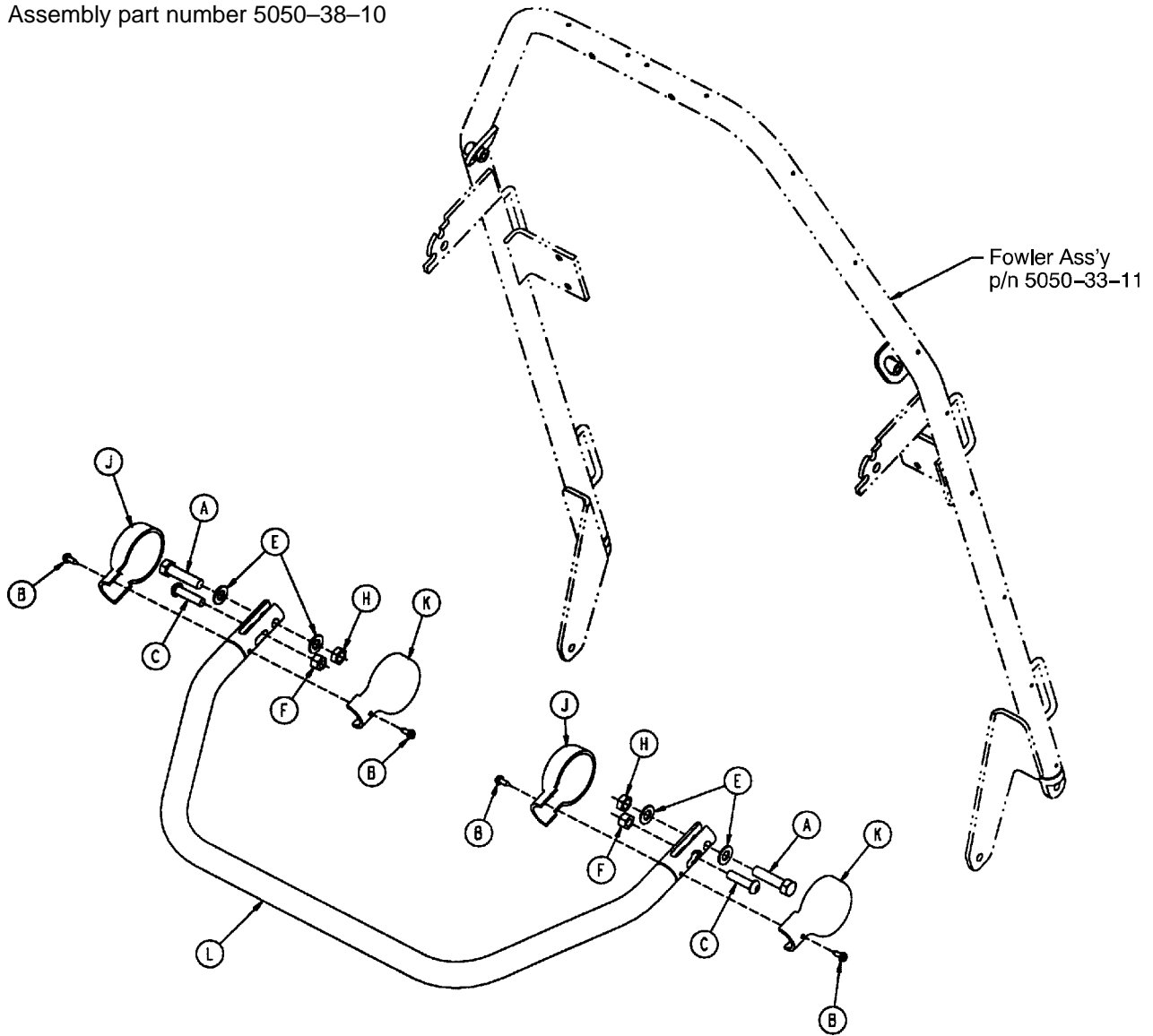
Assembly part number 5050-39-10



Item	Part No.	Part Name	Qty.
A	14-20	Nylon Washer	4
B	14-21	Nylon Washer	2
C	16-89	Hex Nut	1
D	26-246	Dowel Pin	1
E	3-25	Hex Hd. Cap Screw	1
F	38-337	Compression Spring	1
H	4-131	H. Soc. But. Hd. Cap Screw	2
J	23-71	Self Tapping Screw	2
K	5050-30-18	Handle Cover, Left	1
L	5050-30-19	Handle Cover, Right	1
M	5050-33-12	Push Handle Weldment	1
N	5050-33-20	Push Bar Lock	1
P	5050-33-21	Push Bar Lock Pin	1
R	5050-90-11	Release Label	1

Stationary Push Bar Assembly

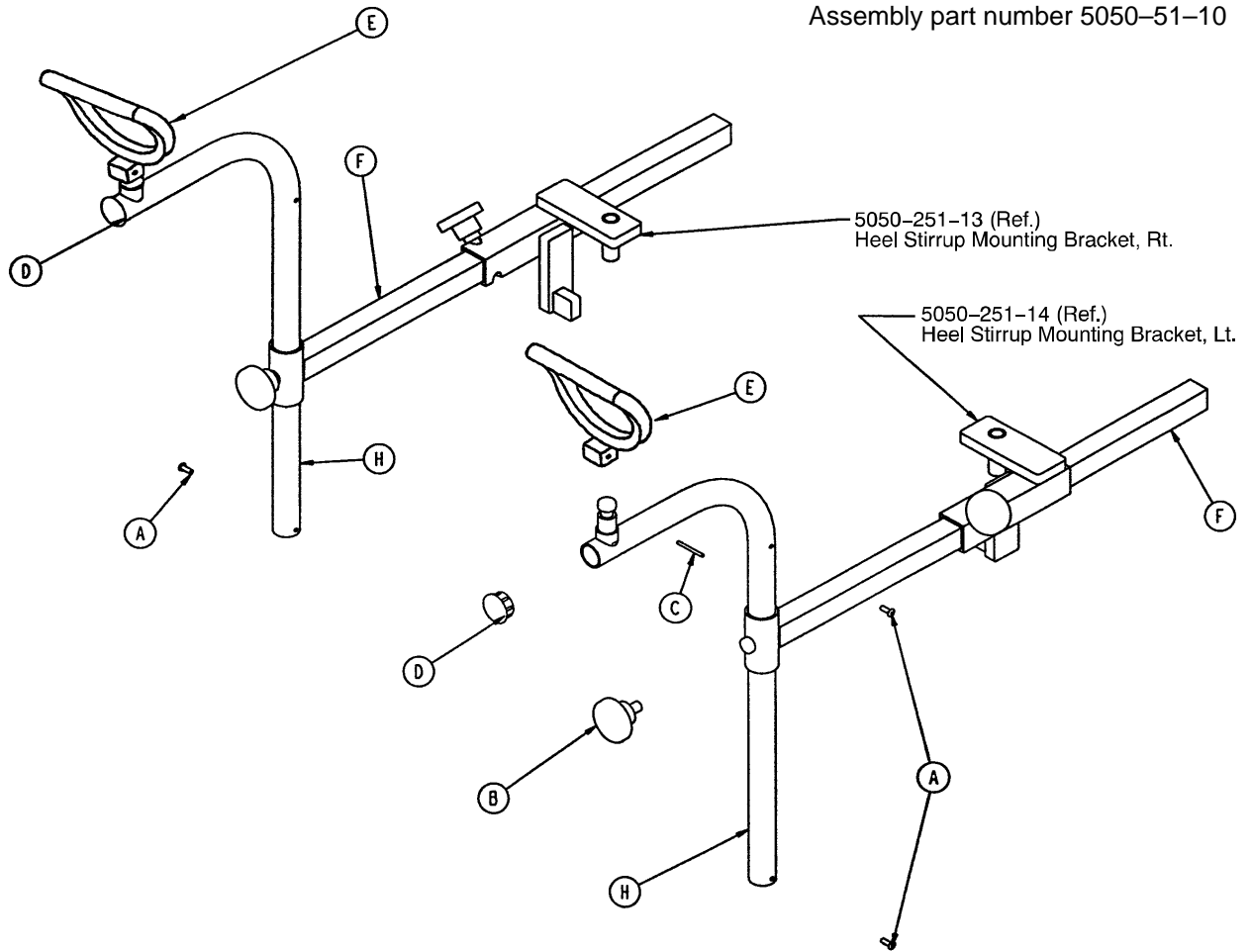
Assembly part number 5050-38-10



Item	Part No.	Part Name	Qty.
A	3-25	Hex Hd. Cap Screw	2
B	23-71	Self Tapping Screw	4
C	4-130	H. Soc. But. Hd. Cap Screw	2
E	14-21	Nylon Washer	4
F	16-36	Nylon Hex Nut	2
H	16-89	Hex Nut	2
J	8839-793-700	Hex Hd. Cap Screw	2
L	5050-30-19	Handle Cover, Right	2
M	5050-33-12	Push Handle Weldment	1

Optional Heel Stirrup Assembly

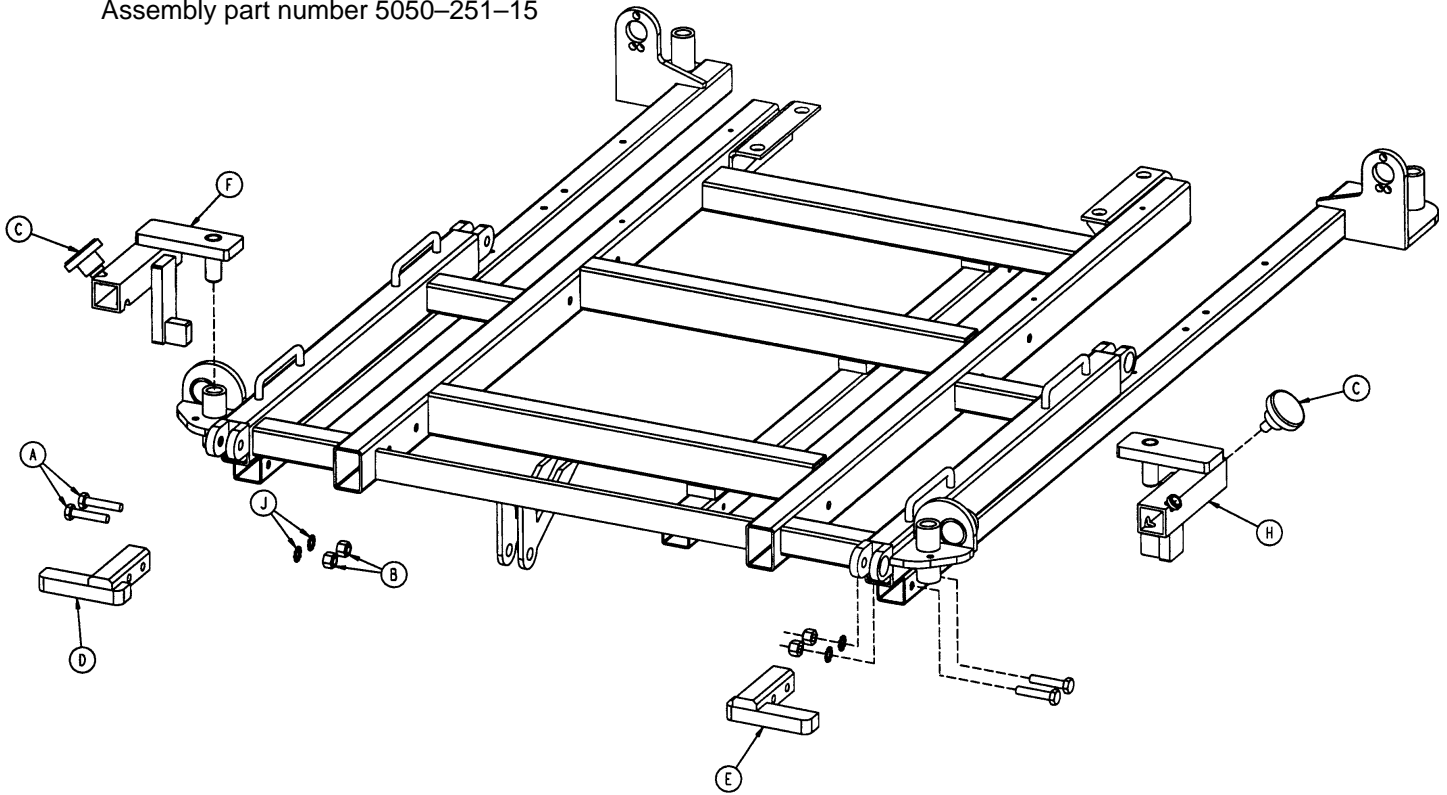
Assembly part number 5050-51-10



Item	Part No.	Part Name	Qty.
A	22-8	Drive Screw	4
B	24-11	Knob	2
C	26-43	Roll Pin	2
D	37-207	Round Cap Plug	2
E	390-20-13	Stirrup	2
F	1010-55-30	Extension Tube Assembly	2
H	5050-51-7	Stirrup Holder Weldment	2

Heel Stirrup Bracket Assembly

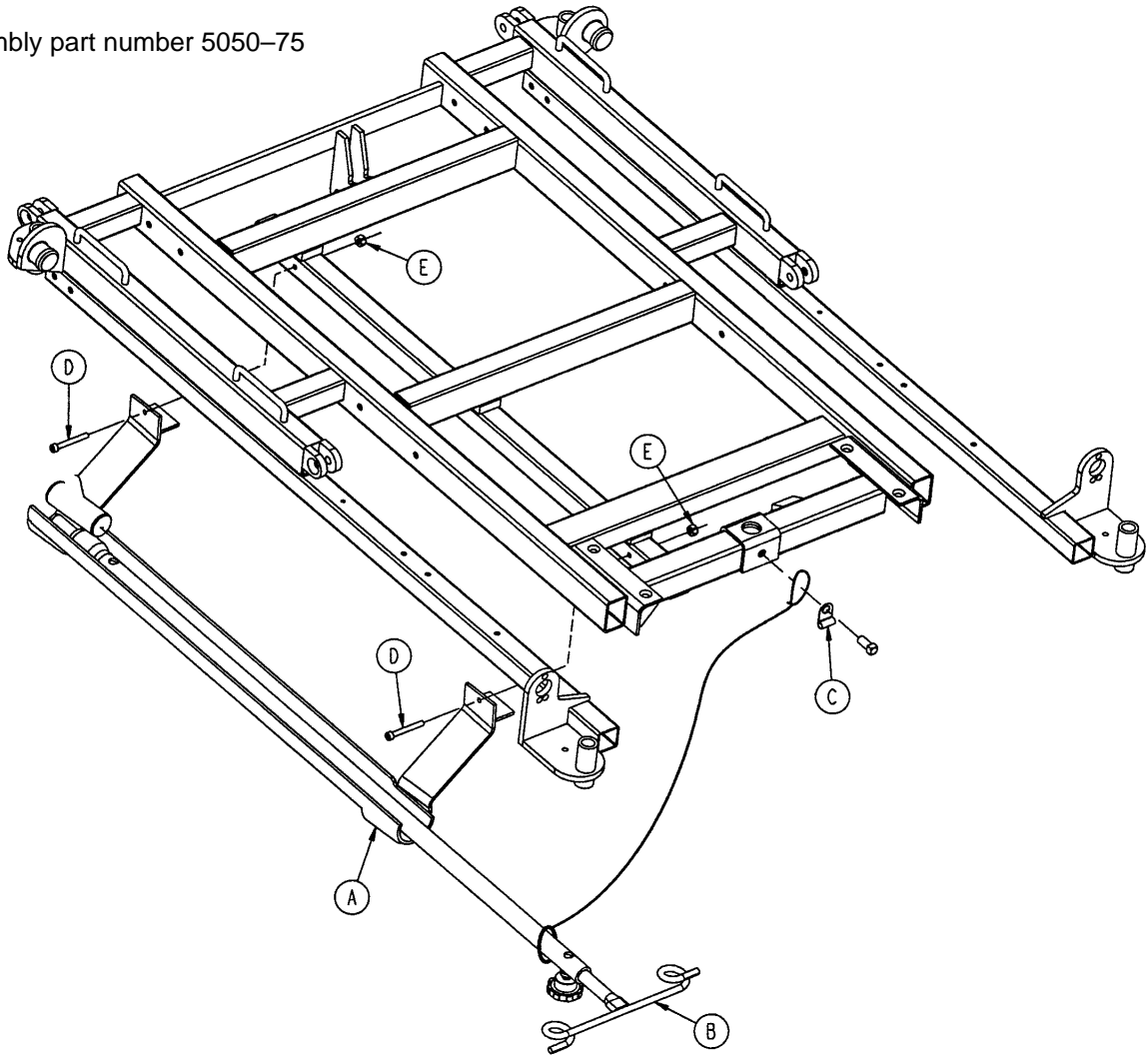
Assembly part number 5050-251-15



Item	Part No.	Part Name	Qty.
A	3-4	Hex Hd. Cap Screw	4
B	16-16	Nylon Lock Nut	4
C	24-11	Knob	2
D	5050-251-3	Tube Support, Right	1
E	5050-251-4	Tube Support, Left	1
F	5050-251-13	Heel Stirrup Bracket, Rt.	1
H	5050-251-14	Heel Stirrup Bracket, Lt.	1
J	13-10	Ext. Tooth Lock Washer	4

Optional Tethered I.V. Pole Assembly

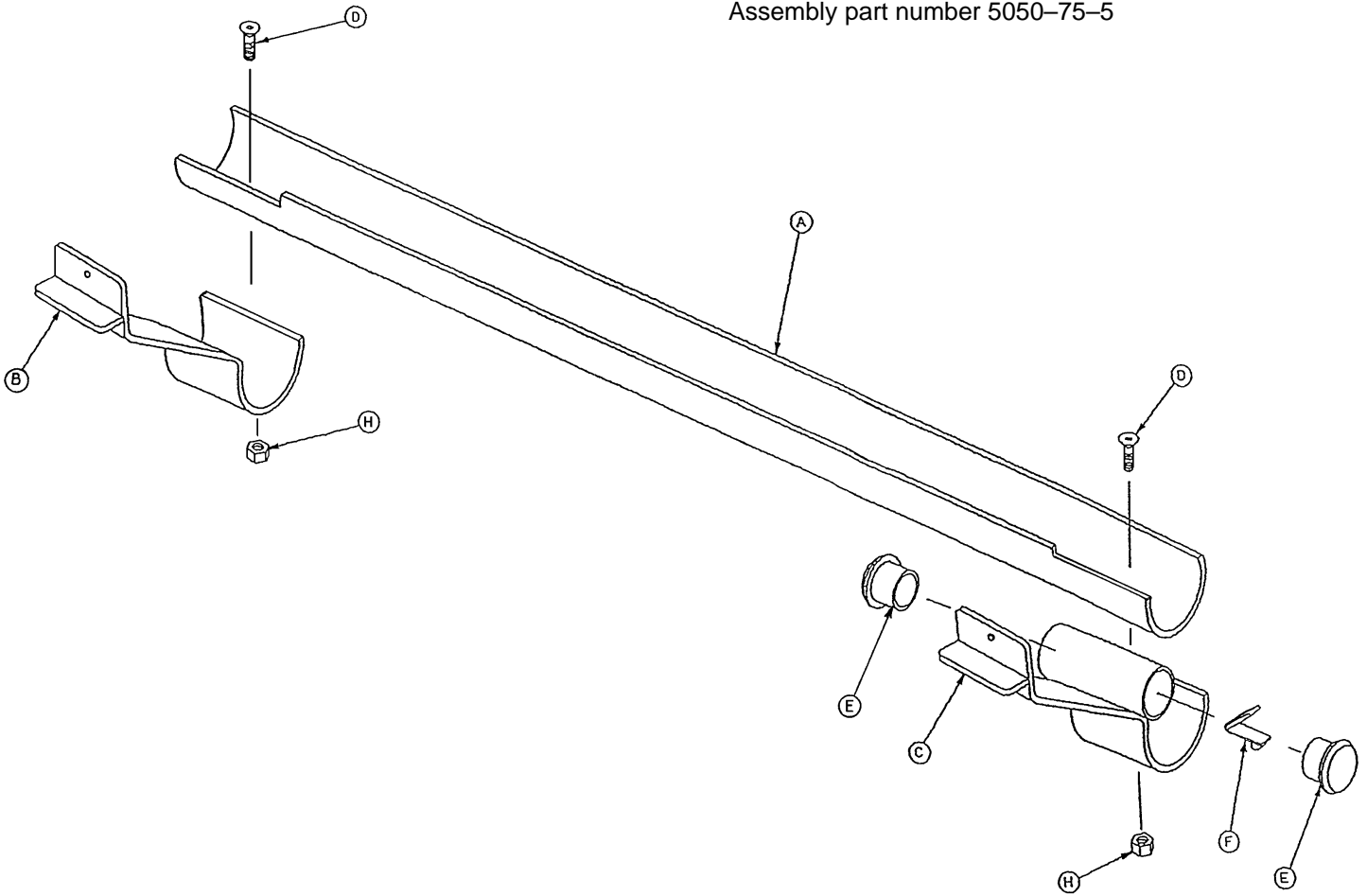
Assembly part number 5050-75



Item	Part No.	Part Name	Qty.
A	(page 72)	Trough Assembly	1
B	(page 73)	I.V. Pole Assembly	1
C	34-263	Cable Clamp	1
D	4-85	Soc. Hd. Cap Screw	2
E	16-3	Fiberlock Nut	2

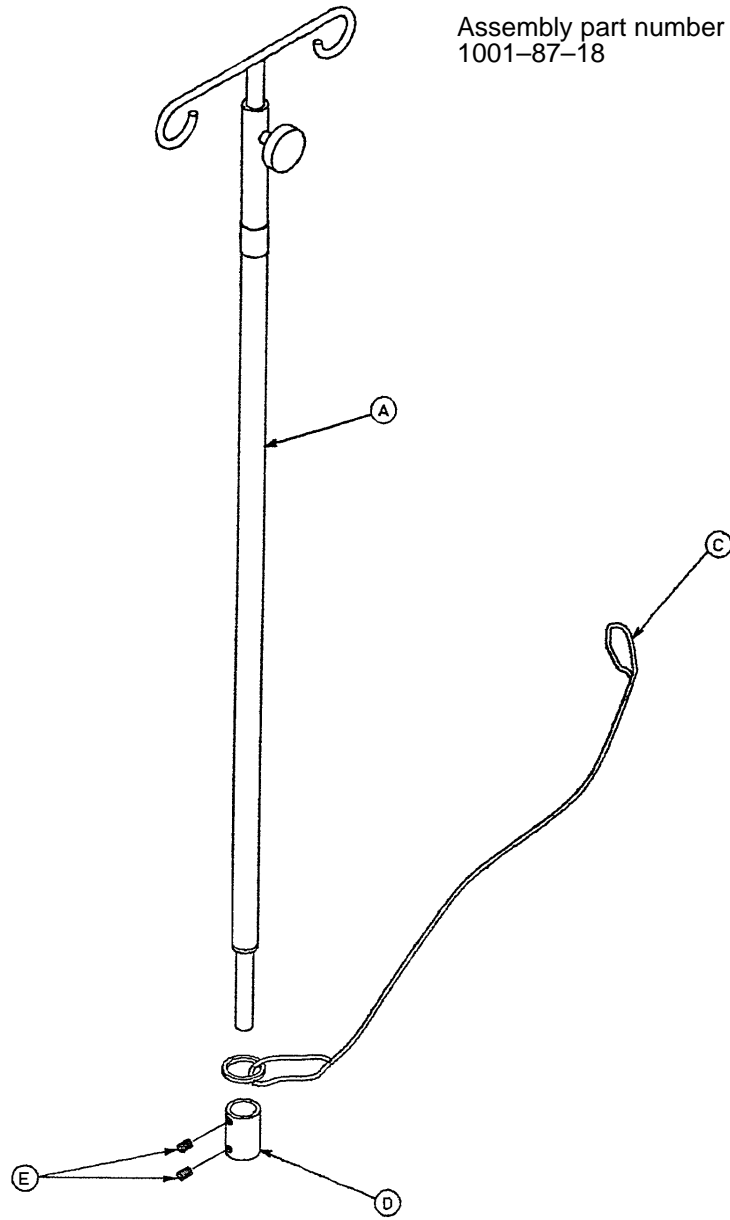
Tethered I.V. Pole Trough Assembly

Assembly part number 5050-75-5



Item	Part No.	Part Name	Qty.
A	1001-87-23	Machined Sleeve	1
B	5050-75-2	I.V. Bracket, Head End	1
C	1001-87-15	Mounting Bracket Ass'y	1
D	1-22	Flat Hd. Mach. Screw	2
E	37-2	Tube Plug	2
F	946-40-110	Lock Clip	1
H	16-14	Hex Nut	2

Tethered I.V. Pole Assembly

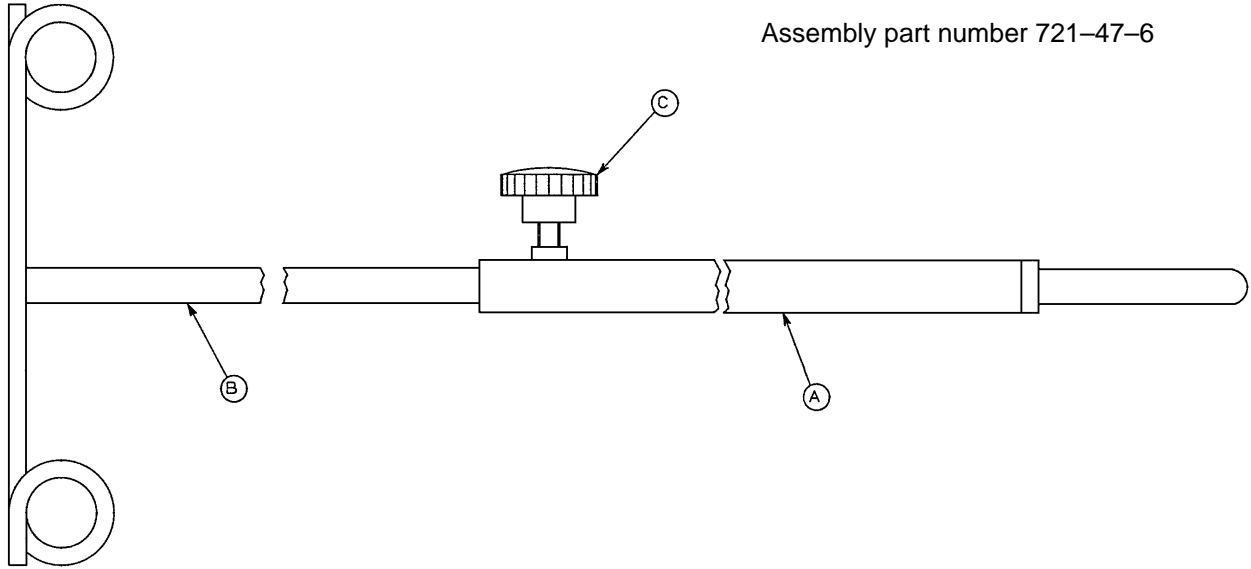


Assembly part number
1001-87-18

Item	Part No.	Part Name	Qty.
A	(page 74)	I.V. Holder	1
C	1010-22-27	Cable Assembly	1
D	741-47-14	Retainer	1
E	21-16	Set Screw	2

I.V. Holder Assembly

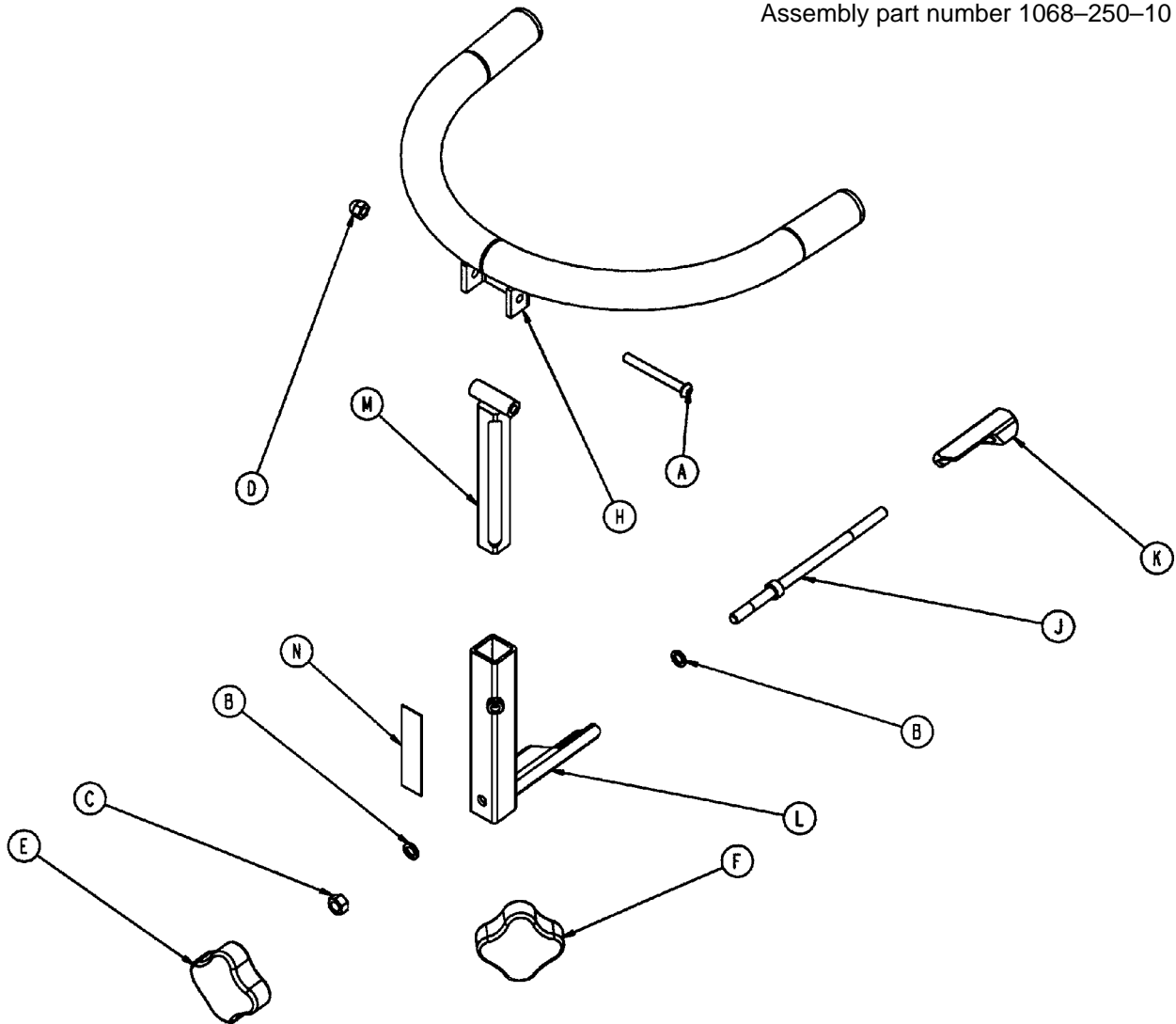
Assembly part number 721-47-6



Item	Part No.	Part Name	Qty.
A	938-1-305	Pole Socket Assembly	1
B	938-1-308	Pole Assembly	1
C	24-53	Knob	1

Wrist Rest Assembly

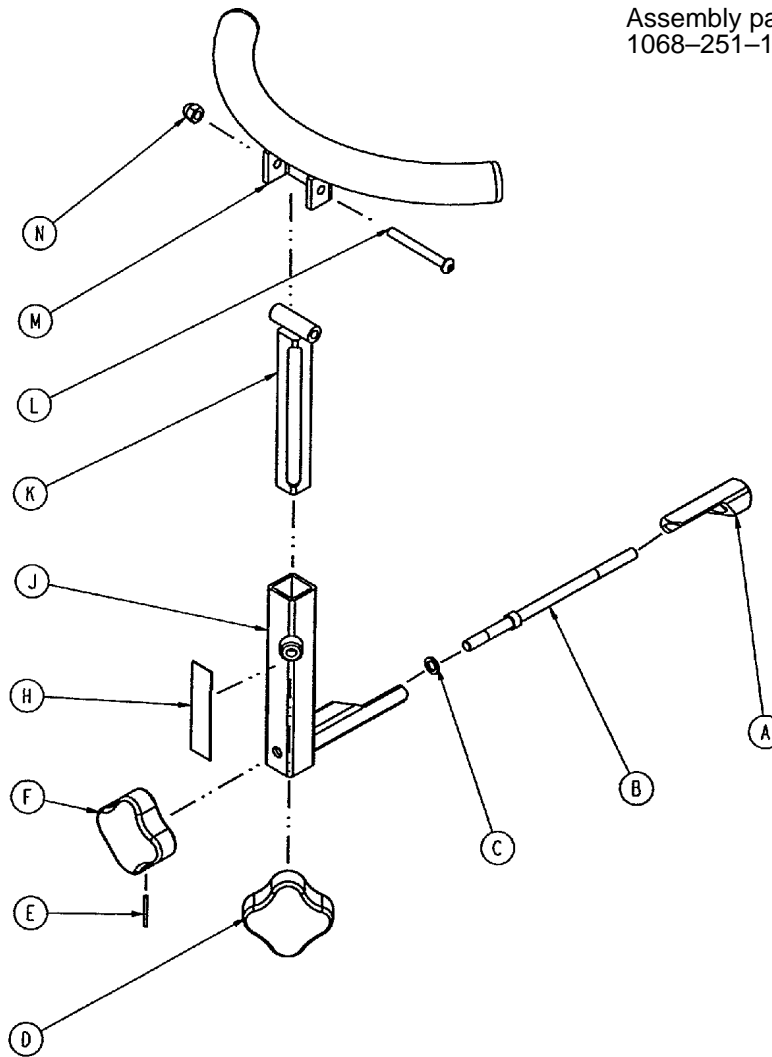
Assembly part number 1068-250-10



Item	Part No.	Part Name	Qty.
A	1068-250-42	Locking Wedge	1
B	1068-250-41	Wedge Bolt	1
C	14-3	Fiber Washer	1
D	24-55	Knob, Male	1
E	26-42	Roll Pin	1
F	24-54	Knob, Female	1
H	1068-290-50	Specification Label	1
J	1068-250-50	Base Tube Weldment	1
K	1068-252-55	Support Bar Weldment	1
L	4-163	But. Hd. Cap Screw	1
M	1068-50-55	Tube Weldment	1
N	17-4	Acorn Nut	1

Wrist Rest Assembly, Temporal

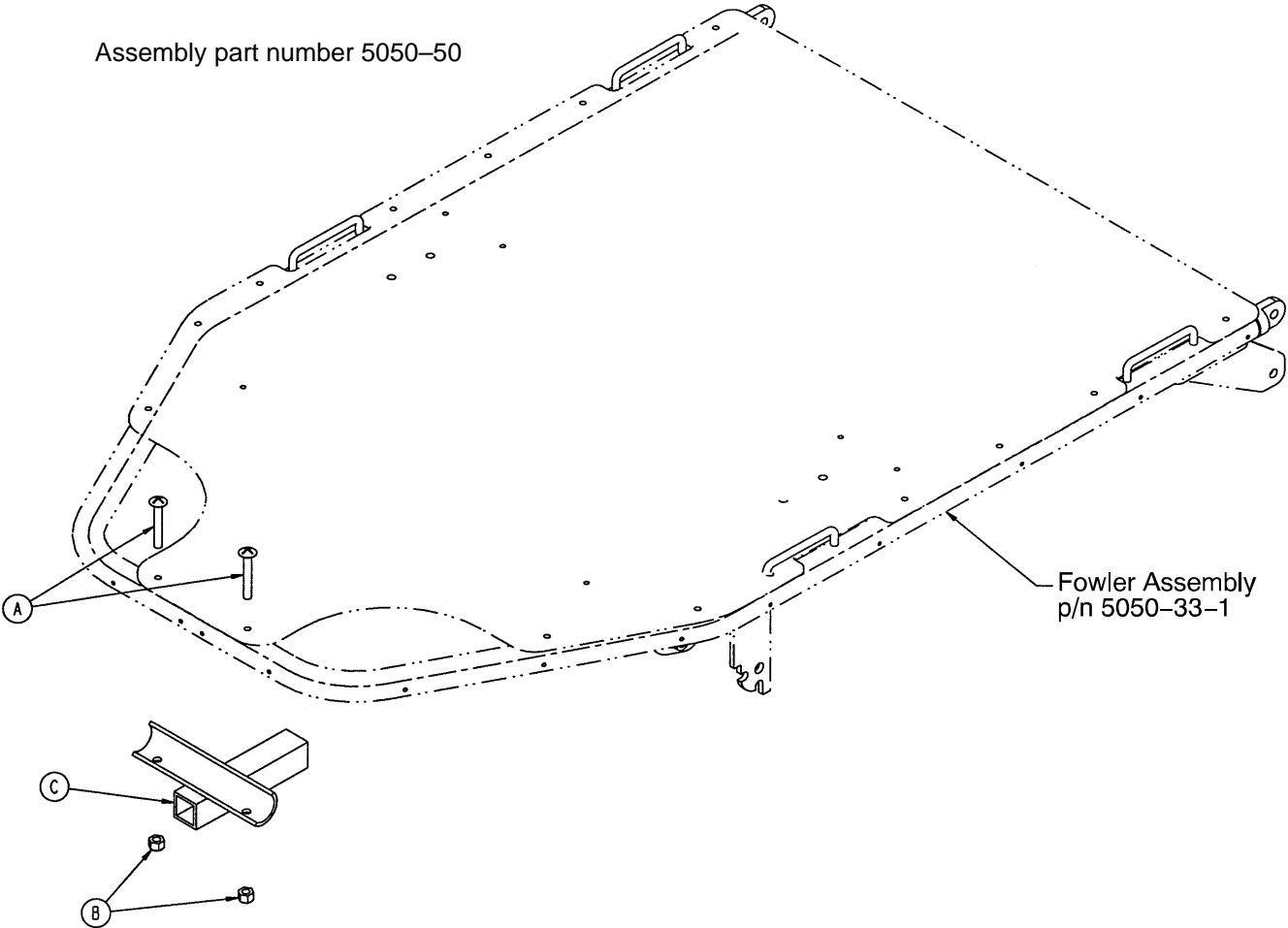
Assembly part number
1068-251-10



Item	Part No.	Part Name	Qty.
A	1068-250-42	Locking Wedge	1
B	1068-250-41	Wedge Bolt	1
C	14-3	Fiber Washer	1
D	24-55	Knob, Male	1
E	26-42	Roll Pin	1
F	24-54	Knob, Female	1
H	1068-290-51	Specification Label	1
J	1068-250-50	Base Tube Weldment	1
K	1068-252-55	Support Bar Weldment	1
L	4-163	But. Hd. Cap Screw	1
M	1068-51-50	Tube Weldment	1
N	17-4	Acorn Nut	1

Wrist Rest Bracket Assembly

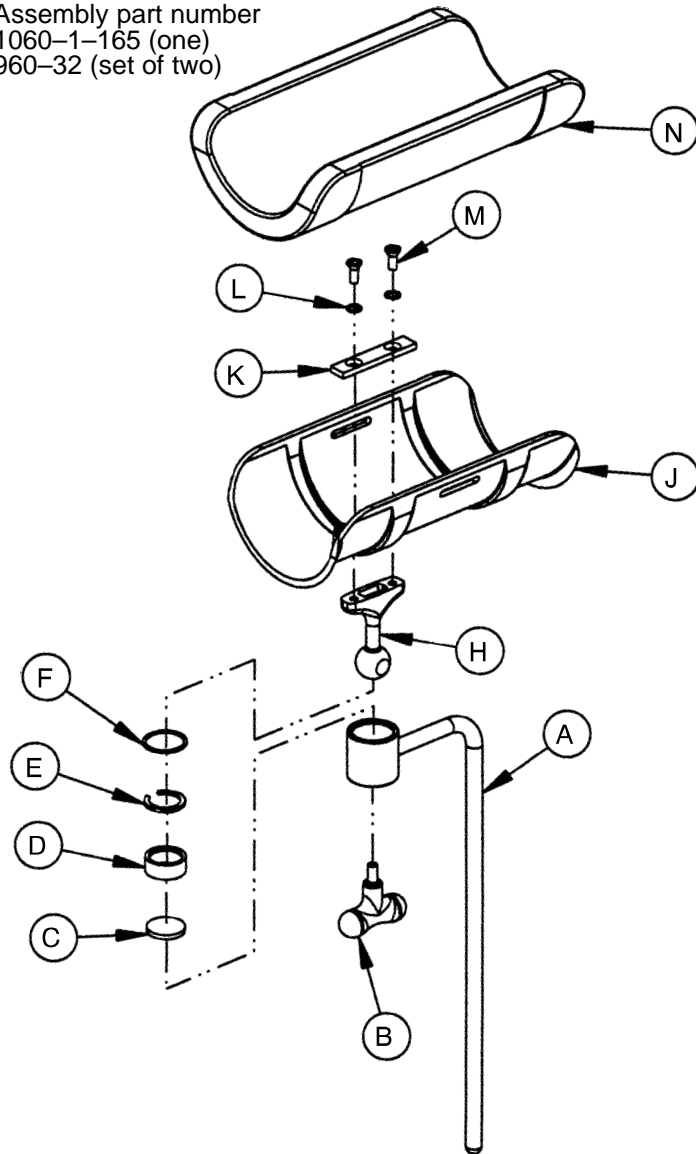
Assembly part number 5050-50



Item	Part No.	Part Name	Qty.
A	7-20	Truss Hd. Mach Screw	2
B	16-16	Nylon Lock Nut	2
C	5050-50-2	Mounting Bracket	1

Leg Support Assembly

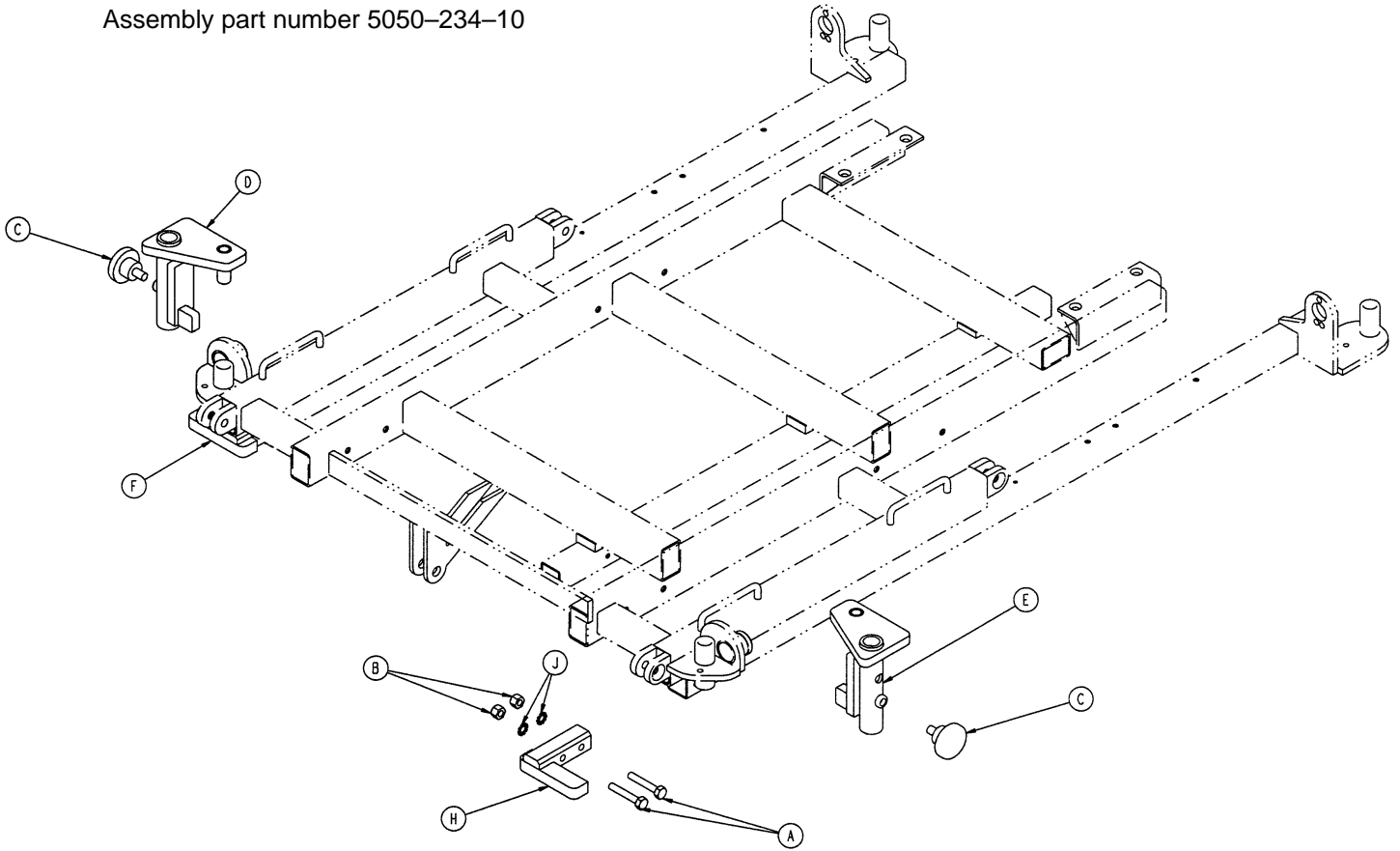
Assembly part number
 1060-1-165 (one)
 960-32 (set of two)



Item	Part No.	Part Name	Qty.
A	1060-1-159	Leg Support Bar	1
B	24-44	T-Handle	1
C	1060-1-152	Disc	1
D	1060-1-153	Jaw	1
E	1060-1-154	Split Ring	1
F	28-104	Retaining Ring	1
H	1060-1-155	Ball Post	1
J	1060-1-156	Leg Rest, ABS	1
K	1060-1-157	Mounting Plate	1
L	13-24	Lock Washer	2
M	1-97	Flat Soc. Hd. Mach. Screw	2
N	1060-1-158	Leg Rest Pad	1

Leg Support Bracket Assembly

Assembly part number 5050-234-10



Item	Part No.	Part Name	Qty.
A	3-47	Hex Hd. Cap Screw	4
B	16-16	Nylon Lock Nut	4
C	24-11	Knob	2
D	5050-234-6	Leg Support Bracket, Rt.	1
E	5050-234-7	Leg Support Bracket, Lt.	1
F	5050-251-3	Tube Support, Right	1
H	5050-251-4	Tube Support, Left	1
J	13-10	Ext. Tooth Lock Washer	4

Replacement Parts

<u>PART NAME</u>	<u>PART NUMBER</u>
2" Mattress (52.75" x 24" x 2")	5050-40-10
2" Enhanced Comfort Mattress (52.75" x 24" x 2")	5050-41-10
3" Enhanced Comfort Mattress (52.75" x 24" x 3")	5050-43-10
Foot Rest Pad Assembly (20" x 9.31" x 2")	5050-40-5
Concave Head Pad Assembly	5050-40-40
Siderail Arm Pad Assembly	5050-26-50
Leg Support Assembly	960-32
Leg Support Mounting Hardware	5050-234
Heel Stirrup Assembly	5050-51
Heel Stirrup Mounting Hardware	5050-251-15
Wrist Rest Assembly	1068-250
Temporal Wrist Rest Assembly	1068-251
Wrist Rest Mounting Bracket	5050-50
Ankle Restraint Straps	946-43
Body Restraint Straps	390-19
Wrist Restraint Straps	946-44
I.V. Caddy	1050-1-100
I.V. Caddy Tool Kit	1050-10
Removable Standard I.V. Pole	390-25
Tethered I.V. Pole Assembly	5050-75
Tethered I.V. Holder	721-47-6
Hydraulic Jack Assembly	5050-70-10
Replacement Pump Piston	715-100-325
Replacement Release Valve	715-270-100
Jack Pump Spring Compression Tool	5050-500-70
Transfer Board Support Assembly	5050-26-80
Fowler Pneumatic Cylinder	360-31-77
Foot Section Pneumatic Cylinder	1010-31-77
Brake Adjuster Assembly	715-1-150
Stretcher Chair Operations Manual	5050-90-20
Stretcher Chair Maintenance Manual	5051-90-25
Paint, Touch-Up, Gloss Black, Bottle w/Brush	7000-1-322
Paint, Touch-Up, Gloss Black, Spray Can	7000-1-319
Paint, Touch-Up, Gray, Bottle w/Brush	7000-1-320
Paint, Touch-Up, Gray, Spray Can	7000-1-317

Warranty

Limited Warranty:

Stryker Medical Division, a division of Stryker Corporation, warrants to the original purchaser that its products should be free from defects in material and workmanship for a period of one (1) year after date of delivery. Stryker's obligation under this warranty is expressly limited to supplying replacement parts and labor for, or replacing, at its option, any product which is, in the sole discretion of Stryker, found to be defective. Stryker warrants to the original purchaser that the frame and welds on its beds will be free from structural defects for as long as the original purchaser owns the bed. If requested by Stryker, products or parts for which a warranty claim is made shall be returned prepaid to Stryker's factory. Any improper use or any alteration or repair by others in such manner as in Stryker's judgement affects the product materially and adversely shall void this warranty. No employee or representative of Stryker is authorized to change this warranty in any way.

Stryker Medical stretchers are designed for a 10 year expected life under normal use conditions and appropriate periodic maintenance as described in the maintenance manual for each device.

This statement constitutes Stryker's entire warranty with respect to the aforesaid equipment. STRYKER MAKES NO OTHER WARRANTY OR REPRESENTATION, EITHER EXPRESSED OR IMPLIED, EXCEPT AS SET FORTH HEREIN. THERE IS NO WARRANTY OF MERCHANTABILITY AND THERE ARE NO WARRANTIES OF FITNESS FOR ANY PARTICULAR PURPOSE. IN NO EVENT SHALL STRYKER BE LIABLE HEREUNDER FOR INCIDENTAL OR CONSEQUENTIAL DAMAGES ARISING FROM OR IN ANY MANNER RELATED TO SALES OR USE OF ANY SUCH EQUIPMENT.

To Obtain Parts and Service:

Stryker products are supported by a nationwide network of dedicated Stryker Field Service Representatives. These representatives are factory trained, available locally, and carry a substantial spare parts inventory to minimize repair time. Simply call your local representative, or call Stryker Customer Service at (800) 327-0770.

Supplemental Warranty Coverage:

Stryker has developed a comprehensive program of extended warranty options designed to keep your equipment operating at peak performance at the same time it eliminates unexpected costs. We recommend that these programs be activated *before* the expiration of the new product warranty to eliminate the potential of additional equipment upgrade charges. Stryker offers the following Supplemental Warranties:

Extended (Parts and Labor)

- All replacement parts (excluding mattresses and consumable items)
- Labor and travel for *all* scheduled and unscheduled calls
- Annual Preventive Maintenance Inspections and repairs
- JCAHO paperwork for preventive maintenance
- Priority Emergency Service

Standard (Labor Only):

- Labor and travel for *all* scheduled and unscheduled calls
- Annual Preventive Maintenance Inspections and repairs
- JCAHO paperwork for preventive maintenance
- Priority Emergency Service

Basic (Parts Only):

- All replacement parts (excluding mattresses and consumable items)
- Priority Emergency Service

Please call your local representative, or call (800) 327-0770 for further information

Warranty

Return Authorization:

Merchandise cannot be returned without approval from the Stryker Customer Service Department. An authorization number will be provided which must be printed on the returned merchandise. Stryker reserves the right to charge shipping and restocking fees on returned items.

SPECIAL, MODIFIED, OR DISCONTINUED ITEMS NOT SUBJECT TO RETURN.

Damaged Merchandise:

ICC Regulations require that claims for damaged merchandise must be made with the carrier within fifteen (15) days of receipt of merchandise. **DO NOT ACCEPT DAMAGED SHIPMENTS UNLESS SUCH DAMAGE IS NOTED ON THE DELIVERY RECEIPT AT THE TIME OF RECEIPT.** Upon prompt notification, Stryker will file a freight claim with the appropriate carrier for damages incurred. Claim will be limited in amount to the actual replacement cost. In the event that this information is not received by Stryker within the fifteen (15) day period following the delivery of the merchandise, or the damage was not noted on the delivery receipt at the time of receipt, the customer will be responsible for payment of the original invoice in full.

Claims for any short shipment must be made within thirty (30) days of invoice.

International Warranty Clause:

This warranty reflects U.S. domestic policy. Warranty outside the U.S. may vary by country. Please contact your local Stryker Medical representative for additional information.



European Representative

Stryker France
BP 50040-95946 Roissy Ch. de Gaulle
Cedex-France

Phone: 33148632290
Fax: 33148632175

stryker[®]
Medical

6300 Sprinkle Road, Kalamazoo, MI 49001-9799

(800) 327-0770



DH 1/99 5050-90-25 REV J