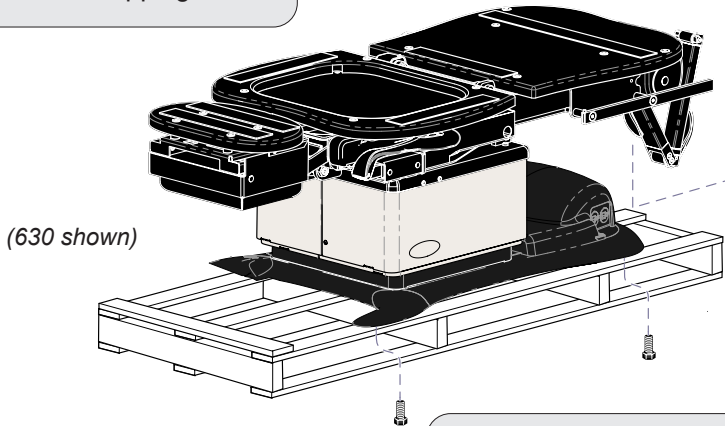


Procedure Chair Installation

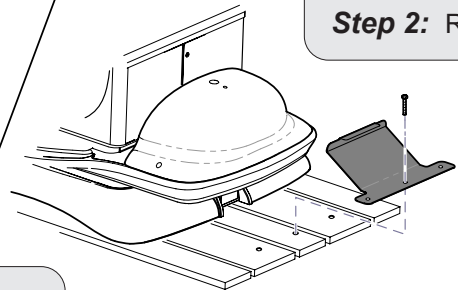
Applies to Models:
 230 (all)
 630 (-001 thru -009)
 641 (all)
 Language or origin: English

Step 1: Cut cable ties.
 Remove shipping brace.



NOTE: Shipping brace may not be present on some models.

Models w/Rotational Base only
Step 2: Remove shipping bracket.



Step 3: Remove shipping bolts.
 Remove chair from skid.

Does the voltage setting that appears in the fuse holder window match the facility supply voltage?

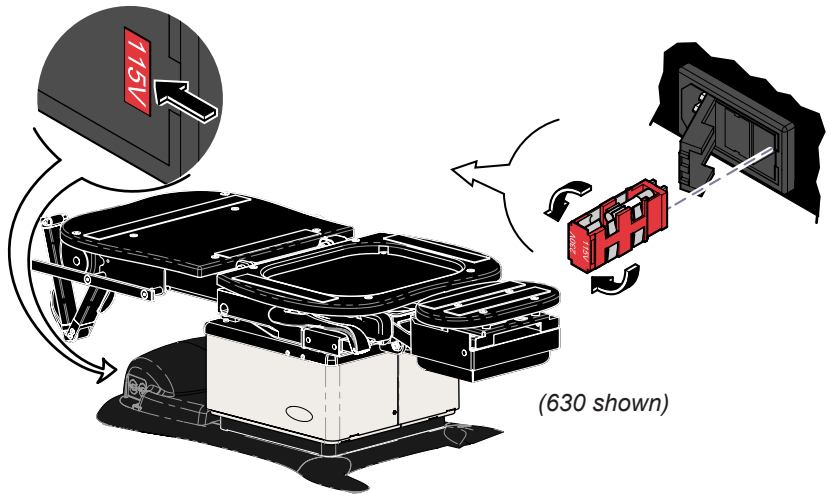
If **YES**, go to Step 4.

If **NO**, you must perform Voltage Conversion Procedure.

Equipment Alert
 Voltage setting that shows thru window must match supply voltage. Incorrect setting will result in damage to the chair.

Voltage Conversion Procedure:

- Open fuse holder cover.
- Remove fuse holder .
- Flip fuse holder 180°.

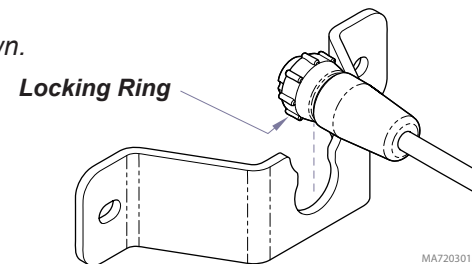


Before connecting the Midmark device power cord into an electrical power source outlet, it is recommended to contact a local licensed electrician or a local Authority Having Jurisdiction over the internal building power distribution to verify that the device when powered up will comply with all local electrical codes. Use the electrical power rating marked on the device when determining the appropriate electrical branch circuit and outlet requirements.

For 115V rated device models with a current rating at or above 12 Amps, a dedicated branch circuit may be required if the branch circuit protection is provided by a 15 Amp breaker.

Attention

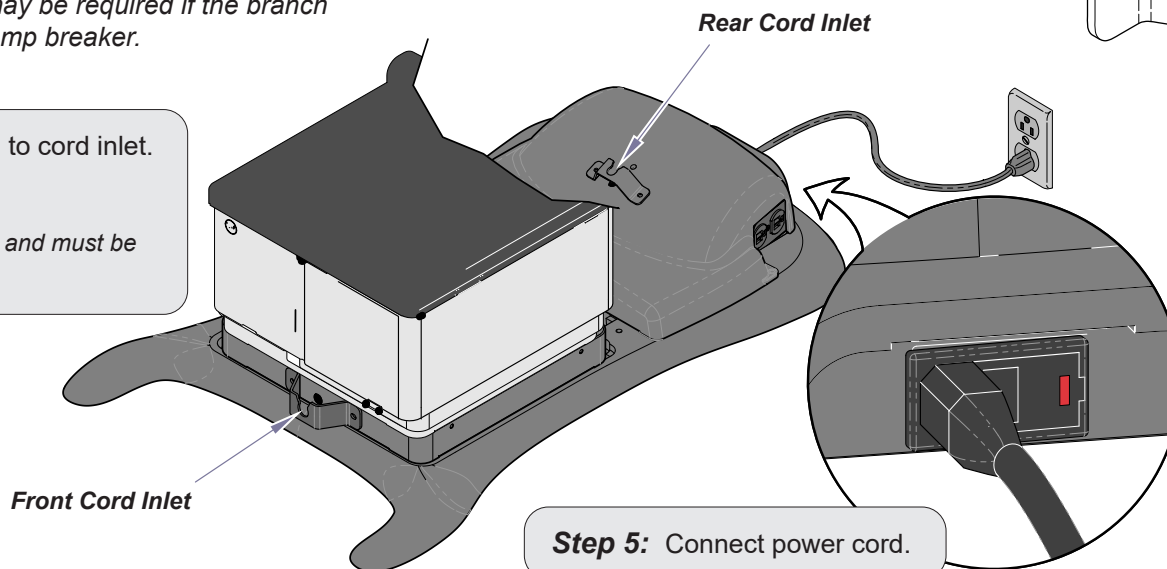
Slide narrow portion of cord connector into bracket as shown.



MA720301i

Step 4: Connect hand/foot control to cord inlet. Tighten locking ring.

Note: The cord connectors are “keyed” and must be oriented properly to connect.



Step 5: Connect power cord.

MA642802i

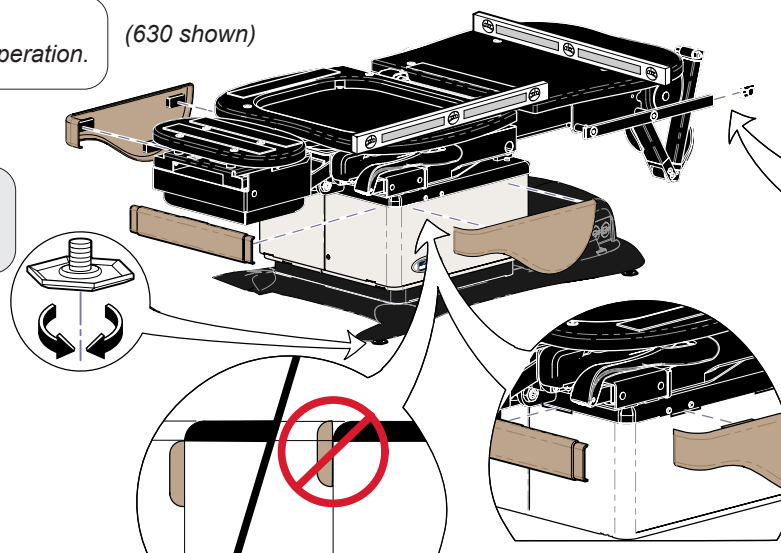


Equipment Alert

The chair must be level to ensure proper operation.

Step 6: Adjust four leveling feet until chair is level.

(630 shown)



MA8330i

Step 7: Install hand control mounting discs (2), and holster.

Midmark models only

Step 8: Install magnetic base covers (3 pcs.)