

# Midmark 630 HumanFORM® Procedure Chair

## Applies to Models:

630 (-010 thru -013)  
630 (-020 thru -023)

## Special Tools:

Level

Language of origin: English



### Equipment Alert

The minimum door clearance for units with a standard base is 28 inches and 34 inches for units with rotational base. Use care in moving chair through doorways.

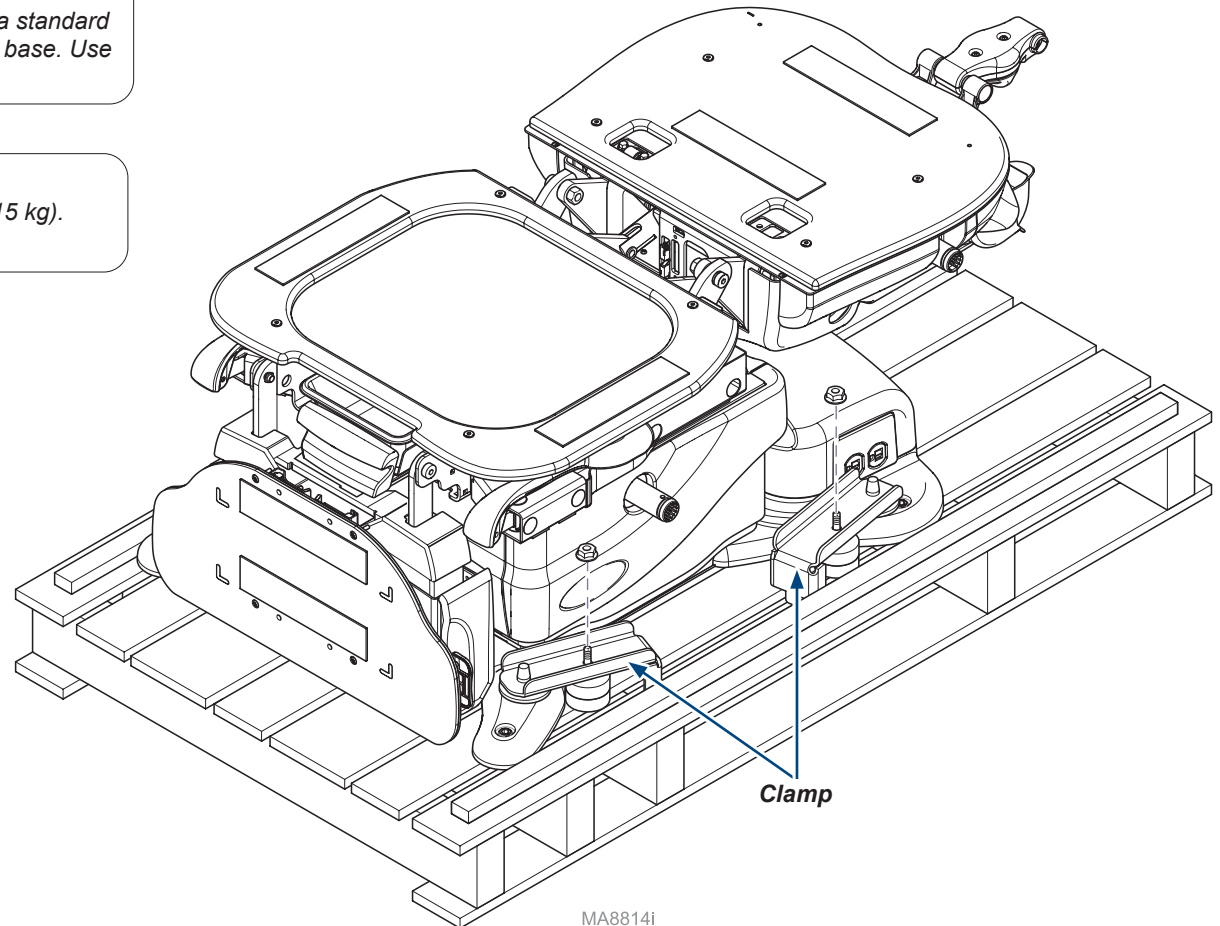


### Caution

This chair weighs approximately 475 lb. (215 kg). Use an assistant when lifting chair.

### Step 1: Remove chair from skid.

- A) Remove four nuts and clamps.
- B) Carefully lift chair off of skid.



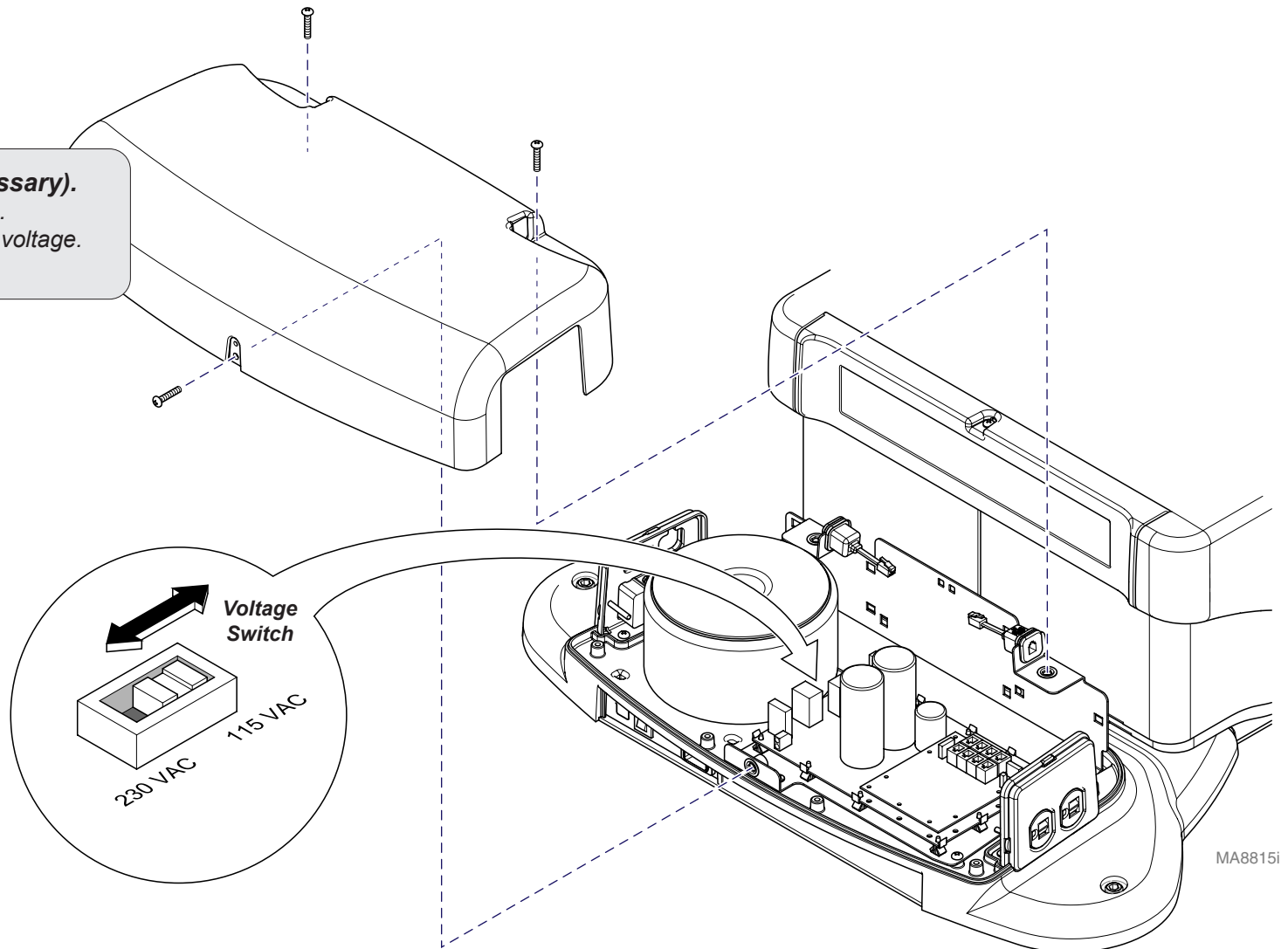
Before connecting the Midmark device power cord into an electrical power source outlet, it is recommended to contact a local licensed electrician or a local Authority Having Jurisdiction over the internal building power distribution to verify that the device when powered up will comply with all local electrical codes. Use the electrical power rating marked on the device when determining the appropriate electrical branch circuit and outlet requirements. For 115V rated device models with a current rating at or above 12 Amps, a dedicated branch circuit may be required if the branch circuit protection is provided by a 15 Amp breaker.

**Note**

Unless specifically ordered for export, units are set to 115 VAC at the factory.

**Step 2: Change voltage (if necessary).**

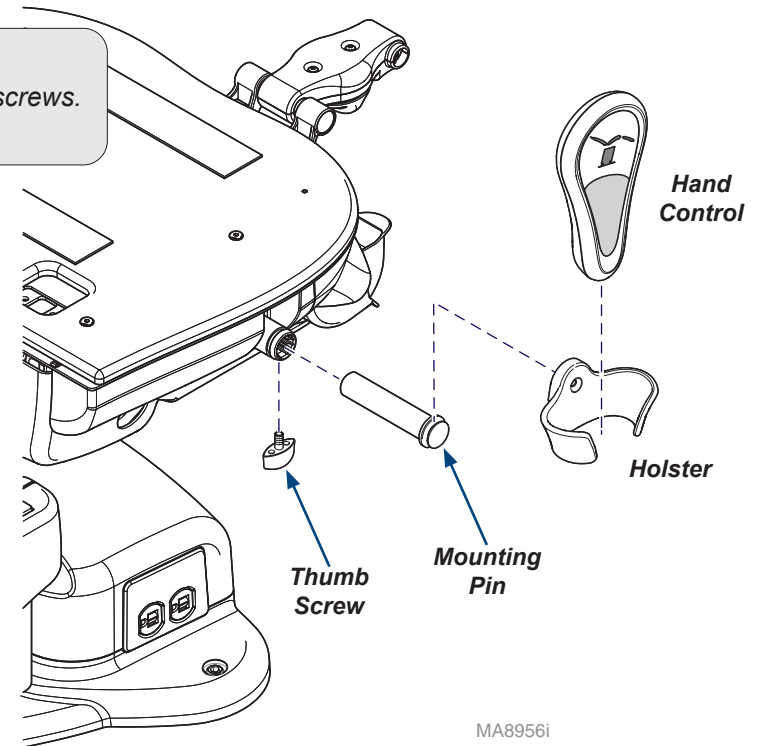
- A) Remove rear cover (three screws).
- B) Set switch on PC board to correct voltage.
- C) Reinstall cover.



MA8815i

**Step 3: Install Hand Control Holster.**

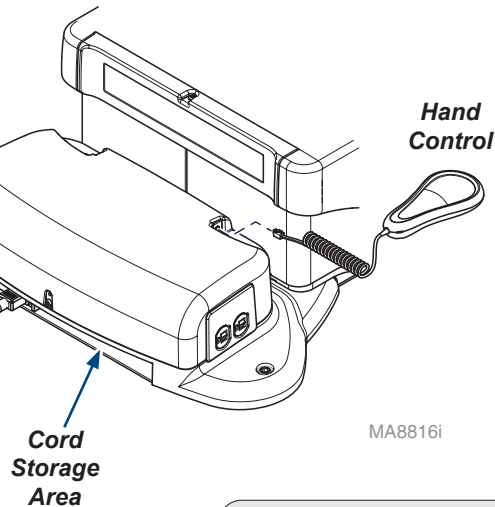
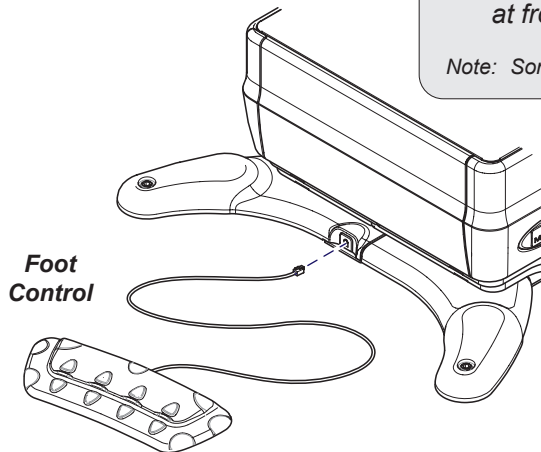
- A) Install two mounting pins and secure with thumb screws.
- B) Install holsters onto mounting pins.



**Step 4: Connect Foot Control.**

- A) Plug connector into modular jack at front of chair.

Note: Some chairs have wireless controls.



**Step 5: Connect Hand Control.**

- A) Plug connector into modular jack on either side of rear cover.

Note: Some chairs have wireless controls.

**Step 6: Connect Power Cord.**

- A) Plug square end into AC inlet at rear of chair.
- B) Plug three pronged plug into wall outlet.
- C) Coil excess power cord and place in cord storage area.



### **Equipment Alert**

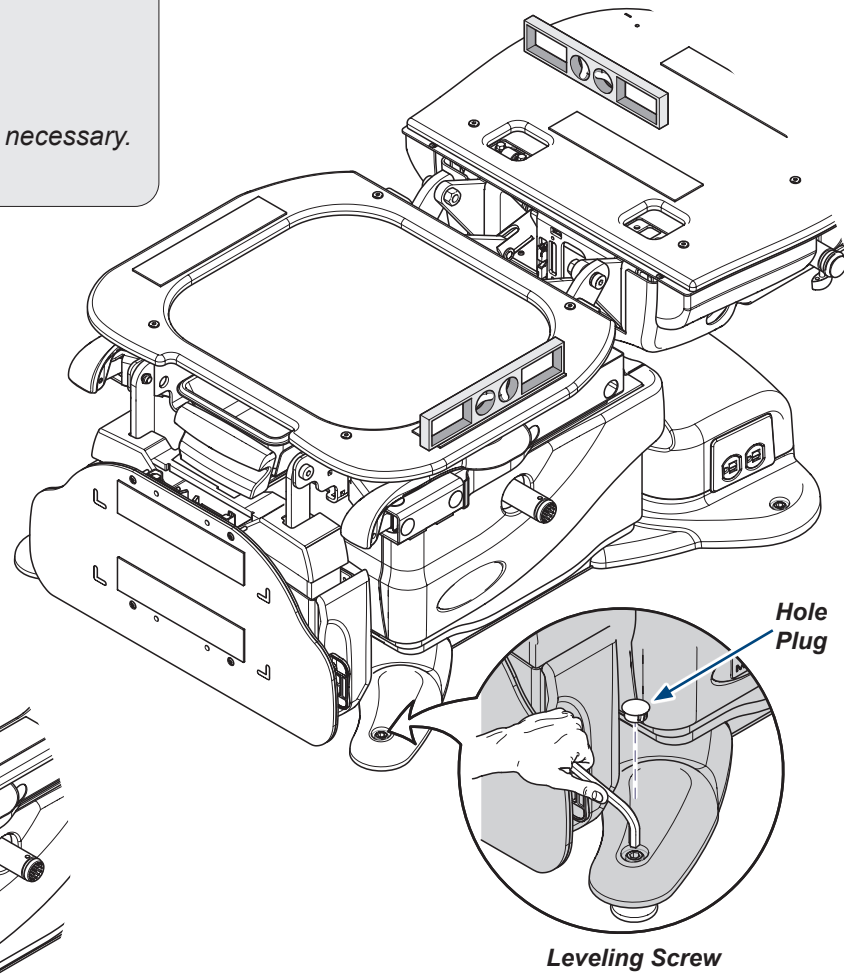
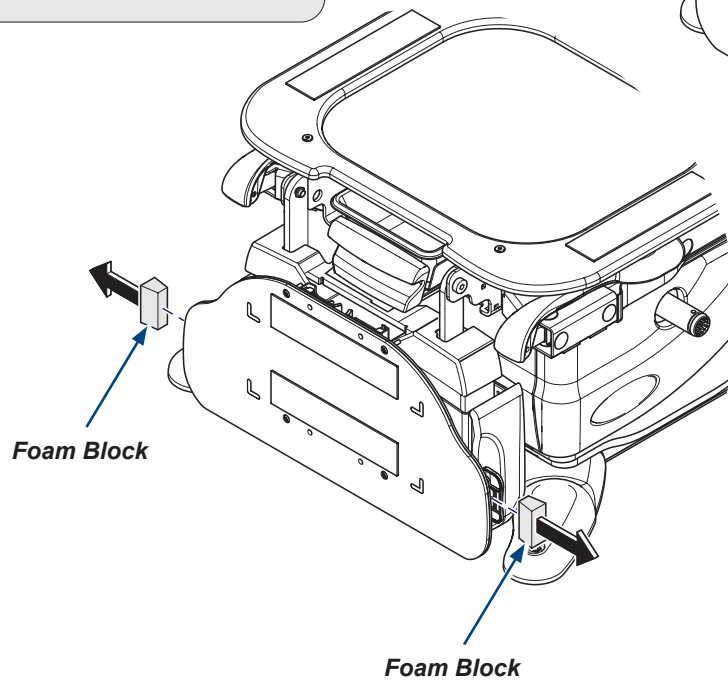
The chair must be leveled to ensure proper operation.

### **Step 7: Level the chair.**

- A) Remove the allen wrench from shipping carton.
- B) Using a level and the allen wrench, adjust leveling screws as necessary.
- C) Install four hole plugs.

### **Step 8: Remove foam blocks.**

- A) Remove the foam blocks from behind the footrest handles.



MA8817

**Step 9: Verify proper operation.**

A) Use the foot control to activate the following functions:

- Base UP / DOWN**
- Back UP / DOWN**
- Tilt UP / DOWN**
- Foot UP / DOWN**
- Quick Chair**
- Home**

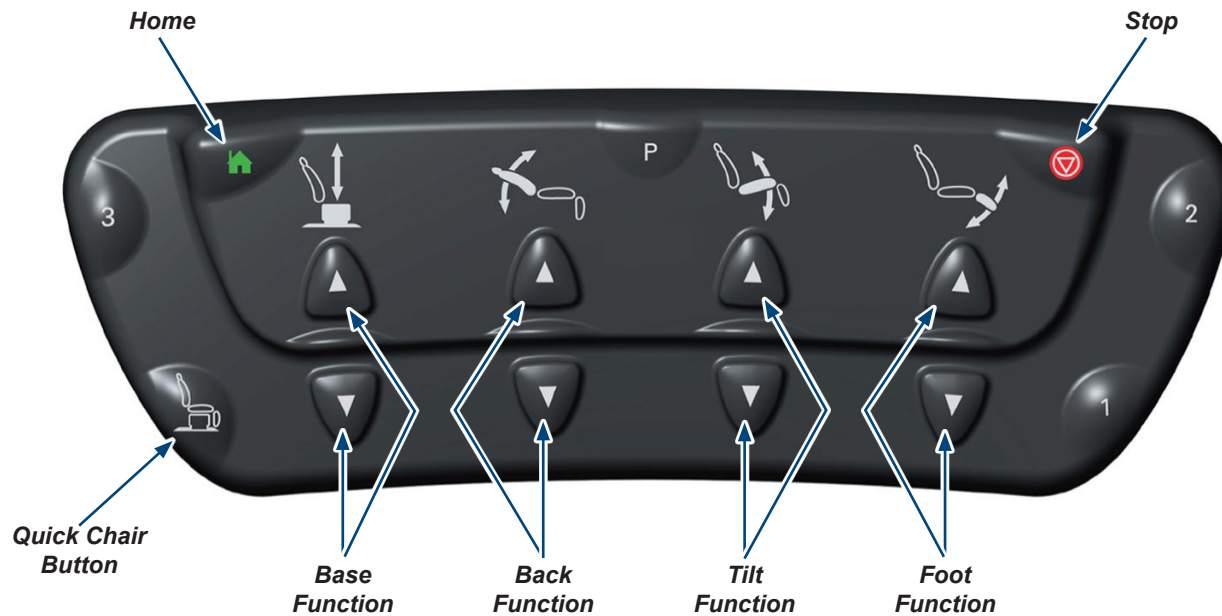
B) Activate the HOME function again. While the chair is moving, press the STOP button. (All movement should stop)

C) Repeat A and B using the hand control.

Note: The Quick Chair feature is on the foot control only.

**Note**

If a malfunction is detected, contact Midmark Technical Service by calling: 1.800.MIDMARK



**Step 10: Install upholstered top (not shown).**

Note: Installation instructions are packaged with the upholstery.