

Examination

# Outpatient II & CoolSpot II

Individually or in combination, Burton's Outpatient II and CoolSpot II are established leaders in traditional examination lighting.

**PHILIPS**  
**burton**

Examination

# Outpatient II

The perfect blend of performance and ease of use.

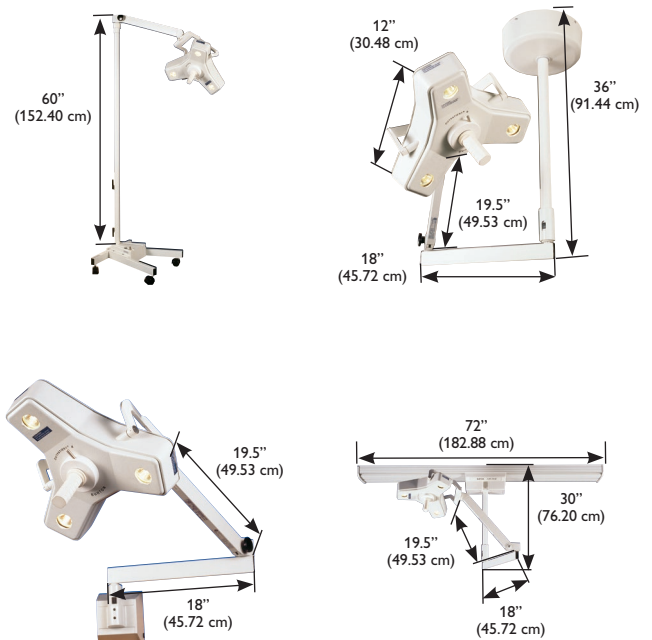
Outpatient II provides focusable flood-type light with minimal heat output, high color temperature and high color rendering index (CRI). It's the long-standing industry-leading traditional light for hospital, physician and veterinary examination applications.

All mounting options are designed to be user-friendly and flexible.



## Features

- 86,000 lux (7990 fc) at 24" (61 cm)
- 3300 K color temperature
- CRI (Color Rendering Index) of 94
- Focuses with central removable, autoclavable SteriHandle
- Friction knob allows precise tool-free adjustment and positioning of the articulating arm
- Cool operation ensured with heat filters and dichroic coatings
- The light head's unique shape helps reduce shadows on examination field
- Light uses three 50-watt halogen bulbs, each with 2000-hour average bulb life
- Bulbs are wired in parallel to ensure continuous operation
- Design allows removal or replacement of SteriHandle with one hand (for ensuring sterile procedures)
- Floorstand units include footswitch, locking casters and cord wrap
- Designed to meet California Seismic Codes
- 120V model standard; 230 / 240V models also available
- UL 60601-1, EN 60601-1-2, IEC 60601-2-41 and CAN/CSA C22.2 NO. 601.1 M90
- 5-year limited warranty
- Assembled in USA



## Ordering Information

120V Model	230/240V Model	230/240V SP Model*	100V Model	Description
OP216FL	OP225FL	O202FL25	OP215FL	Floorstand
OP216SC	OP225SC	O202SC25	OP215SC	Single Ceiling Mount
OP216DC	OP225DC	O202DC25	OP215DC	Double Ceiling Mount
OP216W	OP225W	O302W25	OP215W	Wall Mount
OP216ST	OP225ST		OP215ST	Single Fastrac Mount
OP216DT	OP225DT		OP215DT	Double Fastrac Mount
Accessories				
0006130PK				Outpatient II Replacement Bulbs, 3/Box
1008465				Outpatient II Handle Replacement
0008100PK				Light Handle Covers, Sterile, 25/Box
1008259				42" Drop Tube (not applicable on Fastrac models)
1008060				Special Length, Max. 58" Drop Tube (not applicable on Fastrac models)

\*SP Model refers to Spanish Language Manuals.

Examination

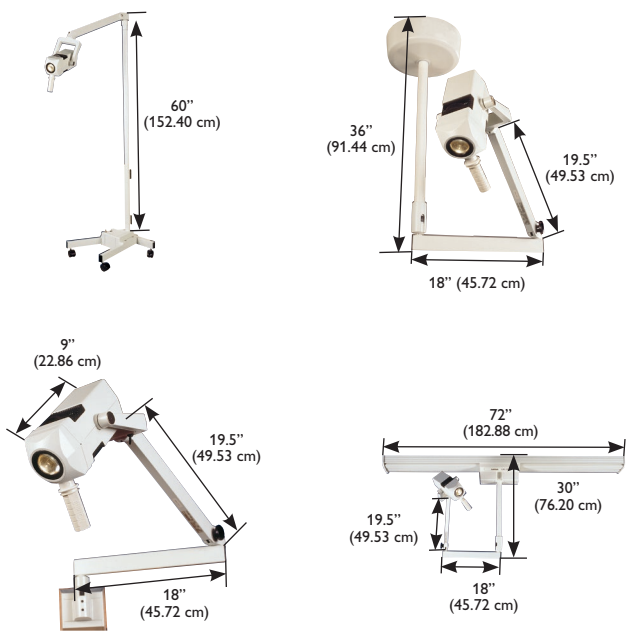
# CoolSpot II

The perfect blend of variable intensity, spot size and usability.

CoolSpot II provides a variable spot size control that can produce a tight beam of light that certain examinations demand. This light's bi-level dimmer allows the practitioner to also control the intensity of light. The CoolSpot II is ideal for hospital, physician, dermatology, OB/GYN, veterinary and dental examination applications.

## Features

- Up to 60,000 lux (5574 fc) at 39.37" (1 meter)
- 4300 K color temperature
- CRI (Color Rendering Index) of 94
- Bi-level dimmer for variable intensity
- Variable spot size of 2" - 10" (5 cm - 25 cm)
- Easy to clean housing design
- Easy to position light with central SteriHandle
- Removable, autoclavable center SteriHandle design allows removal or replacement of SteriHandle with one hand (for ensuring sterile procedures)
- 150-watt halogen bulb provides 600-hour average bulb life on standard setting
- Friction knob allows user to adjust friction on the self-balancing arm positioning to desired tension without a tool
- Designed to meet California Seismic Codes
- 120V model standard; 230 / 240V models also available
- UL 60601-1, EN 60601-1-2, IEC 60601-2-41 and CAN/CSA C22.2 NO. 601.1 M90
- 5-year limited warranty
- Assembled in USA



## Ordering Information

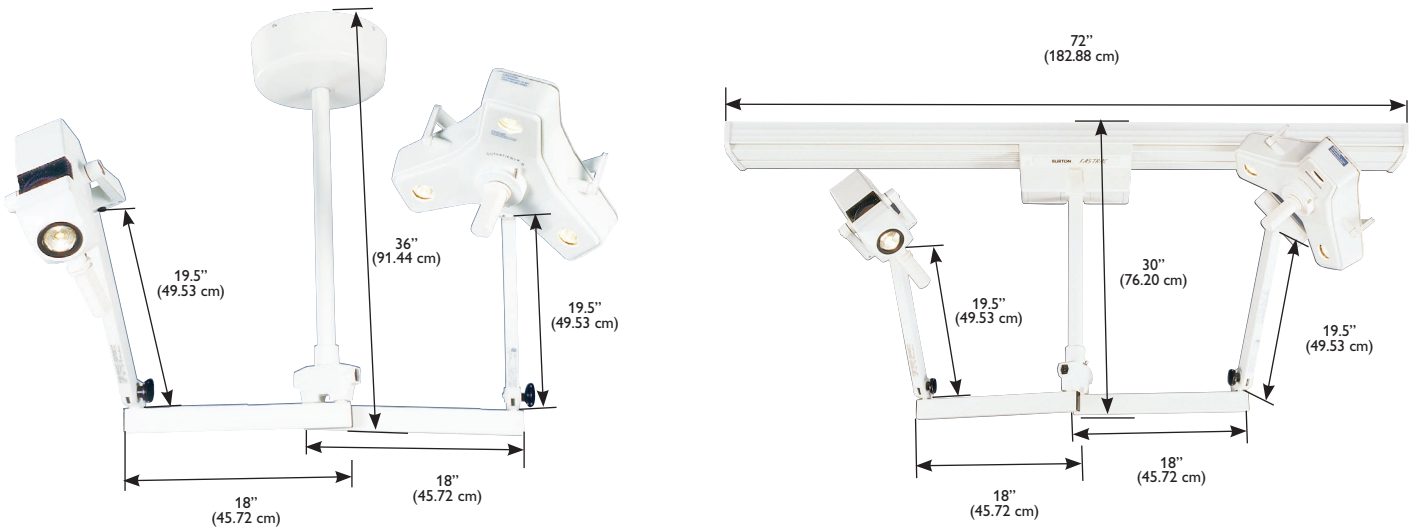
120V Model	230/240V Model	230/240V SP Model*	100V Model	Description
CS316FL	CS325FL	C302FL25	CS315FL	Floorstand
CS316SC	CS325SC	C302SC25	CS315SC	Single Ceiling Mount
CS316DC	CS325DC	C302DC25	CS315DC	Double Ceiling Mount
CS316W	CS325W	C302W25	CS315W	Wall Mount
CS316ST	CS325ST		CS315ST	Single Fastrac Mount
CS316DT	CS325DT		CS315DT	Double Fastrac Mount

## Accessories

0007006PK	CoolSpot II Replacement Bulbs, 4/Box
1008466B	CoolSpot II Handle Replacement
0008100PK	Light Handle Covers, Sterile, 25/Box
1008259	42" Drop Tube (not applicable on Fastrac models)
1008060	Special Length, Max. 58" Drop Tube (not applicable on Fastrac models)

\*SP Model refers to Spanish Language Manuals.

# Outpatient II / CoolSpot II



Note 1: Standard dimensions in inches (centimeters) shown. All ceiling mounts shown on standard 9' (2.74m) ceilings.

Note 2: Standard 30" (76cm) drop tube is generally acceptable for 9' (2.74m) ceilings. Drop tube can be cut on site if needed. Special lengths can be ordered and are subject to additional charge.

Note 3: The optical data are nominal values based on measurements done according to the UL/IEC performance standards at 120V at 24"

Note 4: Contact Philips Burton for part #s on 120V, 50Hz / 230 / 240V, 60Hz models.

## Ordering Information

120V Model	230/240V Model	230/240V SP Model*	100V Model	Description
OC516CC	OC525CC	O202CC25	OC515CC	Combo, Ceiling Mount
OC516CT	OC525CT		OC515CT	Combo, Fastrac Mount
Accessories				
0006130PK				Outpatient II Replacement Bulbs, 3/Box
1008465				Outpatient II Handle Replacement
0007006PK				CoolSpot II Replacement Bulbs, 4/Box
1008466B				CoolSpot II Handle Replacement
0008100PK				Light Handle Covers, Sterile, 25/Box
1008259				42" Drop Tube (not applicable on Fastrac models)
1008060				Special Length, Max. 58" Drop Tube (not applicable on Fastrac models)

\*SP Model refers to Spanish Language Manuals.

© 2016 Koninklijke Philips N.V. All rights reserved. Philips reserves the right to make changes in specifications and/or to discontinue any product at any time without notice or obligation and will not be liable for any consequences resulting from the use of this publication.



Philips Burton  
11500 Melrose Avenue  
Franklin Park, IL 60131  
Burtonmedical.com

